

D

C

B

A

4

4

3

3

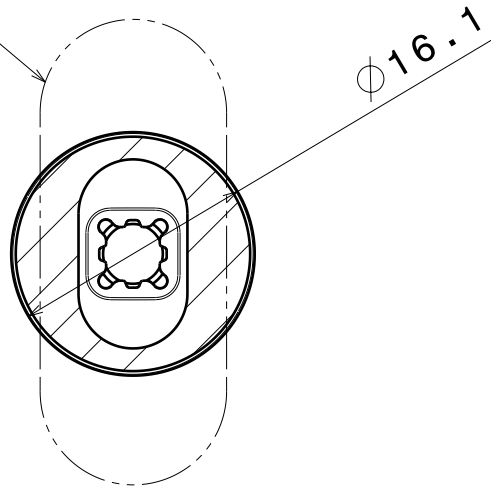
2

2

1

1

Oval beam direction



Lens

Holder

Tape

9.7

MATERIALS

Lens: PMMA

Holder: PC

Tape: PU Foam with PSA

Part no.s:

CA11016_Tina2-XP-RS

CA11017_Tina2-XP-M

CA11052_Tina2-XP-O

CA11420_Tina2-XP-D

This drawing is our property. It can't be reproduced or communicated without our written agreement.



L
T
F
F

e
e
i
i
N
n

d

h

DRAWING TITLE

Datasheet Tina2-XP Tape series

DRAWN BY

DATE

p

20.3.2012

CHECKED BY

DATE

s

n

28.07.2010

DESIGNED BY

DATE

HH

09.11.2009

SIZE

A4

DRAWING NUMBER

-

REV

3

SCALE

2:1

WEIGHT (g)

-

SHEET

1/1

D

A

Mouser Electronics

Authorized Distributor

Click to View Pricing, Inventory, Delivery & Lifecycle Information:

Ledil:

[CA11017_TINA2-M](#) [CN12968_LENINA-XW](#)