

RoHS **Class CC fuses CCMR, KLDR and KLKR Series**



Description

Fast-Acting KLKR fuses provide fast-acting protection to equipment containing surge sensitive components. Use KLKR Fuses for non-inductive loads not requiring time-delay.

CCMR fuses (formerly KLDR) are specifically designed to withstand sustained starting currents of small motors. The CCMR Fuses provide short-circuit protection for motor branch-circuits.

KLDR fuses are specifically designed to withstand the momentary high magnetizing currents of control transformers, solenoids, and similar inductive loads.

Agency Approvals

Agency	Agency File Number	Ampere Range
	E81895	0.1 - 30A (KLDR/KLKR) 0.2 - 60A (CCMR)
	LR 29862	0.1 - 30A

Notes:

KLKR Series: UL listed Fast-Acting Class CC per UL 248 and CSA Certified

KLDR Series: UL listed Time-Delay Class CC per UL 248 and CSA Certified.

CCMR Series: UL listed Time-Delay Class CC per UL 248 and CSA Certified, and 35-60A UL Listed Time-Delay Class CD.

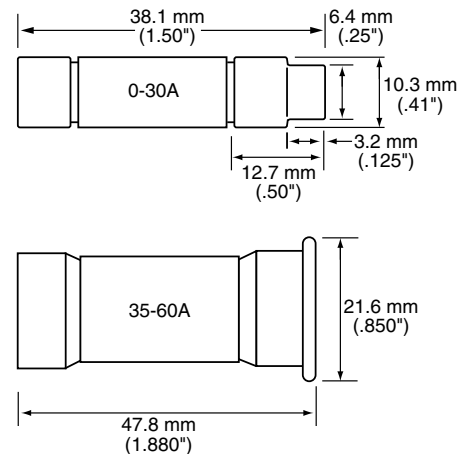
Electrical Characteristics for Series

% of Ampere Rating	Ampere Rating	Opening Time
110%	0-30A	15 minutes, Minimum
135%	0-30A	1 hour, Maximum
200%	0-30A	4 minutes, Maximum
200% Time-delay		12 seconds, Minimum

Product Characteristics

Voltage Rating	AC: 600 Volts
	DC: 250 Volts (CCMR 0.2 – 2A) (CCMR 4.5 – 10A) (CCMR 35 – 60A)
	300 Volts (CCMR 2.25 – 4A)
	300 Volts (KLDR)
	300 Volts (KLKR)
	500 Volts (CCMR 2 - 30A)
RoHS compliant items	KLKR - 0.1A - 30A
	CCMR - 25A and 30A
	KLDR - 0.1A - 7.5A, 25A and 30A

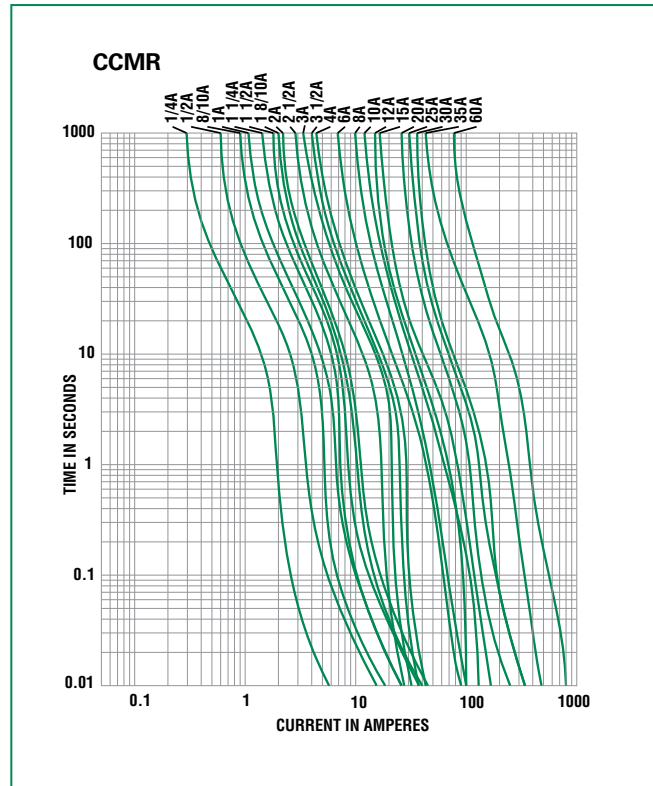
Dimensions



Electrical Specifications by Item -- CCMR Series

Amp Code	Amp Rating (A)	Interrupting Rating	Nominal Cold Resistance (Ohms)	Agency Approvals	
				UL	SF
CCMR.200	.2	AC 200,000 ampere DC 20,000 ampere	68.4	x	x
CCMR.250	.25		43.3	x	x
CCMR.300	.3		28.6	x	x
CCMR.500	.5		7.62	x	x
CCMR.600	.6		8.2	x	x
CCMR.800	.8		4.013	x	x
CCMR 001	1		2.85	x	x
CCMR 1.25	1.25		1.687	x	x
CCMR 01.4	1.4		1.39	x	x
CCMR 01.5	1.5		1.24	x	x
CCMR 01.6	1.6		.9894	x	x
CCMR 01.8	1.8		.7783	x	x
CCMR 002	2		.485	x	x
CCMR 2.25	2.25		.337	x	x
CCMR 02.5	2.5		.3375	x	x
CCMR 02.8	2.8		.2400	x	x
CCMR 003	3		.2188	x	x
CCMR 03.2	3.2		.1855	x	x
CCMR 03.5	3.5		.1346	x	x
CCMR 004	4		.121	x	x
CCMR 04.5	4.5		.0835	x	x
CCMR 005	5		.07780	x	x
CCMR 05.6	5.6		.0535	x	x
CCMR 006	6		.0517	x	x
CCMR 6.25	6.25		.0464	x	x
CCMR 007	7		.0369	x	x
CCMR 07.5	7.5		.027	x	x
CCMR 008	8		.0259	x	x
CCMR 009	9		.0193	x	x
CCMR 010	10		.0135	x	x
CCMR 012	12		.0121	x	x
CCMR 015	15		.00795	x	x
CCMR 17.5	17.5		.00495	x	x
CCMR 020	20		.00360	x	x
CCMR 025	25		.00306	x	x
CCMR 030	30		.00257	x	x
CCMR 035	35		.00408	x	x
CCMR 040	40		.00290	x	x
CCMR 045	45		.00229	x	x
CCMR 050	50		.00169	x	x
CCMR 060	60		.00112	x	x

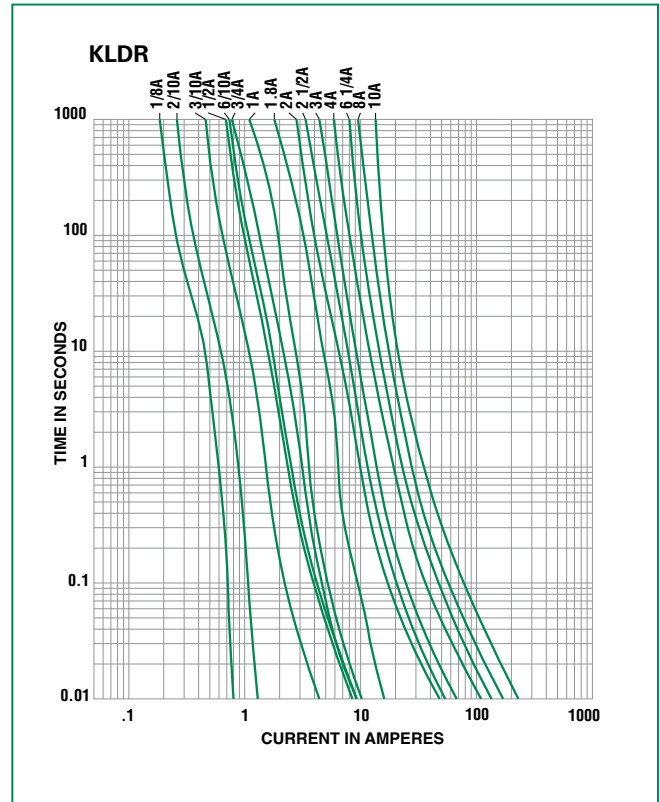
Average Time Current Curves -- CCMR Series



Electrical Specifications by Item -- KLDR Series

Amp Code	Amp Rating (A)	Interrupting Rating	Nominal Cold Resistance (Ohms)	Agency Approvals	
				UL	CS
KLDR.100	.1	AC 200,000 ampere DC 20,000 ampere	246	x	x
KLDR.125	.125		134.9	x	x
KLDR.150	.15		96	x	x
KLDR.187	.1875		66.4	x	x
KLDR.200	.2		57.8	x	x
KLDR.250	.25		31.61	x	x
KLDR.300	.3		35.3	x	x
KLDR.400	.4		23.0	x	x
KLDR.500	.5		10.7	x	x
KLDR.600	.6		734	x	x
KLDR.750	.75		6.20	x	x
KLDR.800	.8		6.20	x	x
KLDR 001.	1		1.068	x	x
KLDR 1.12	1.125		2.94	x	x
KLDR 1.25	1.25		2.33	x	x
KLDR 01.4	1.4		1.5	x	x
KLDR 01.5	1.5		.898	x	x
KLDR 01.6	1.6		.625	x	x
KLDR 01.8	1.8		.486	x	x
KLDR 002	2		.55	x	x
KLDR 2.25	2.25		.52	x	x
KLDR 02.5	2.5		.333	x	x
KLDR 02.8	2.8		.26	x	x
KLDR 003	3		.21	x	x
KLDR 03.2	3.2		.171	x	x
KLDR 03.5	3.5		.239	x	x
KLDR 004	4		.118	x	x
KLDR 04.5	4.5		.082	x	x
KLDR 005	5		.0440	x	x
KLDR 05.6	5.6		.0334	x	x
KLDR 006	6	.0315	x	x	
KLDR 6.25	6.25	.03	x	x	
KLDR 007	7	.02674	x	x	
KLDR 07.5	7.5	.0205	x	x	
KLDR 008	8	.0259	x	x	
KLDR 009	9	.0193	x	x	
KLDR 010	10	.0135	x	x	
KLDR 012	12	.0121	x	x	
KLDR 015	15	.00795	x	x	
KLDR 17.5	17.5	.00495	x	x	
KLDR 020	20	.0036	x	x	
KLDR 025	25	.00306	x	x	
KLDR 030	30	.00257	x	x	

Average Time Current Curves -- KLDR Series



Electrical Specifications by Item -- KLKR Series

Ampere Code	Amp Rating (A)	Interrupting Rating	Nominal Cold Resistance (Ohms)	Agency Approvals	
				UL	SF
KLKR.100	.1	AC 200,000 ampere DC 20,000 ampere	79.33	x	x
KLKR.125	.125		56.52	x	x
KLKR.200	.2		28.21	x	x
KLKR.250	.25		19.22	x	x
KLKR.300	.3		15.10	x	x
KLKR.500	.5		6.95	x	x
KLKR.750	.75		1.994	x	x
KLKR 001	1		.2342	x	x
KLKR 01.5	1.5		.225	x	x
KLKR 002.	2		.135	x	x
KLKR 02.5	2.5		.0906	x	x
KLKR 003	3		.0776	x	x
KLKR 03.5	3.5		.0562	x	x
KLKR 004	4		.0468	x	x
KLKR 005	5		.0332	x	x
KLKR 006	6		.0238	x	x
KLKR 007	7		.0208	x	x
KLKR 008	8		.0177	x	x
KLKR 009	9		.0151	x	x
KLKR 010	10		.01325	x	x
KLKR 012	12		.00852	x	x
KLKR 015	15		.0074	x	x
KLKR 020	20		.00511	x	x
KLKR 025	25		.003775	x	x
KLKR 030	30		.002954	x	x

Average Time Current Curves -- KLKR Series

