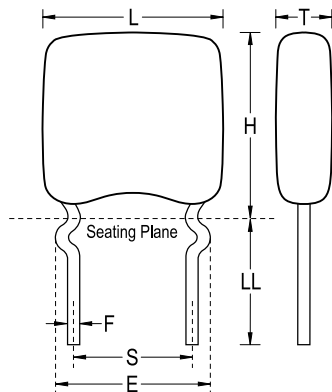


KEMET Part Number: C324C104M5U5TA
(C324C104M5U5TABULK)

Capacitor, ceramic, 0.1 uF, +/-20% Tol, 50 V, Z5U, Lead Spacing=0.1"



General Information	
Supplier:	KEMET
Application:	General Purpose
Temperature Coefficient:	Z5U
Body Type:	Radial Conformal
Lead Type:	snapinrimp
Termination Type:	Tin (Sn)
RoHS:	Yes

Specifications	
Capacitance:	0.1 uF
Voltage:	50 V
Tolerance:	+/-20%
Temperature Range:	+10/+85C
Failure Rate:	N/A
Dissipation Factor:	4%
Insulation Resistance:	1 GOhm
Dielectric Strength:	125 V

Dimensions (mm)		
Symbol	Dimension	Tolerance
L	5.08	MAX
H	5.84	MAX
T	3.18	MAX
S	2.54	NOM
LL	7	MIN
F	0.51	NOM
E	3.18	NOM

Packaging Specifications	
Package Kind:	Bulk
Package Type:	Bag
Package Quantity:	500