

MICRO SWITCH

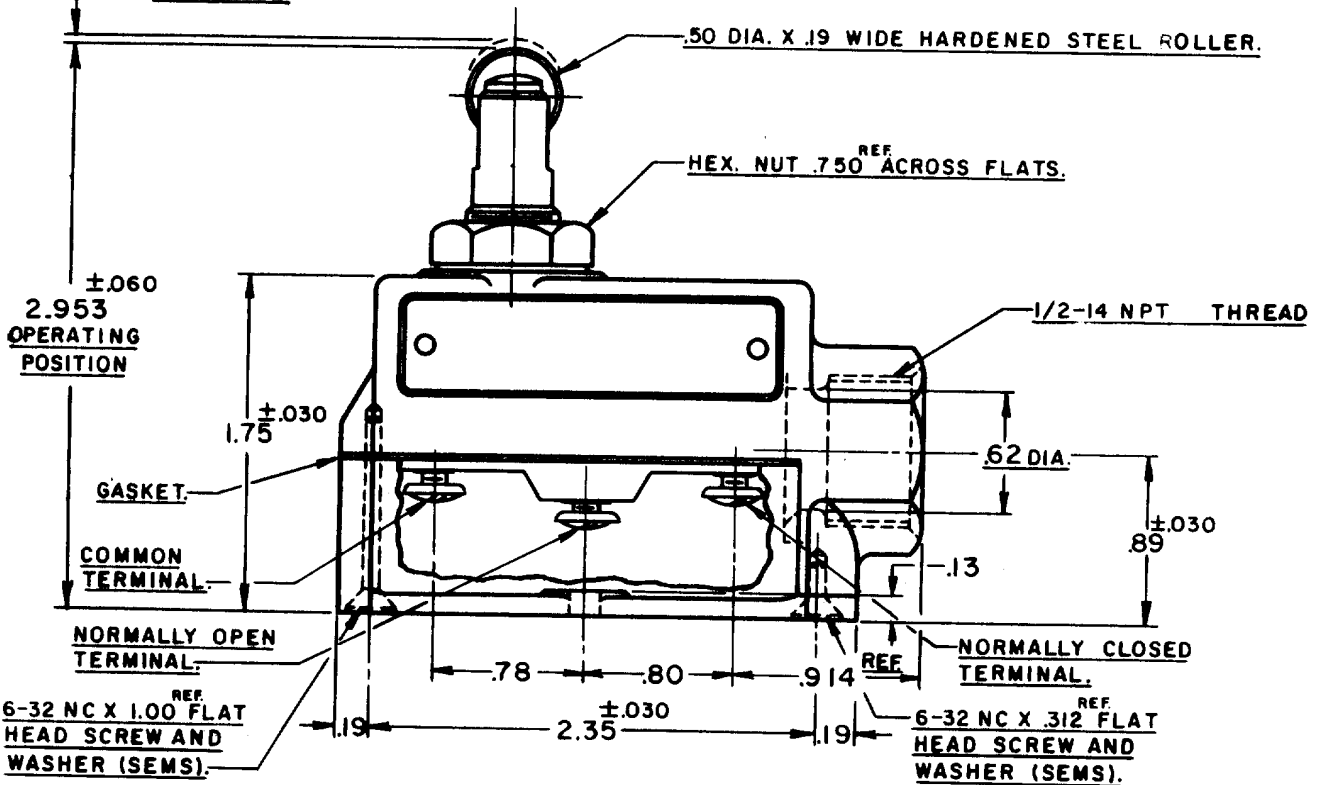
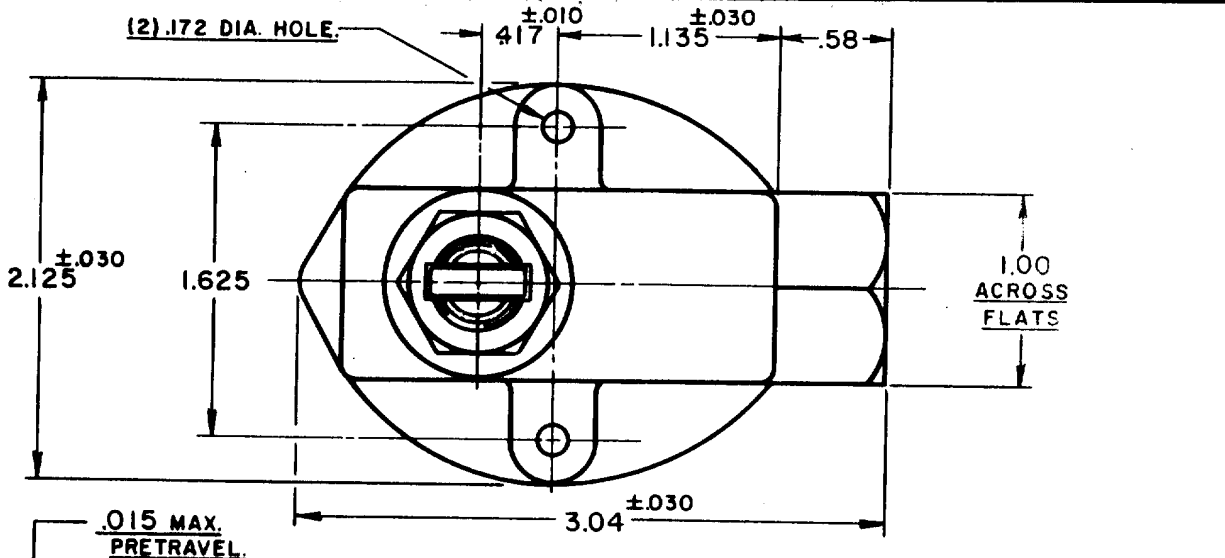
A DIVISION OF HONEYWELL-REGULATOR COMPANY
PREPONT, ILLINOIS

FED. MFR. CODE 91929

SWITCH-ENCLOSED

CATALOG LISTING
BZV6-2RQ8

THIS DRAWING COVERS A PROPRIETARY ITEM AND IS THE PROPERTY OF MICRO SWITCH, A DIVISION OF HONEYWELL. THIS DRAWING IS NOT TO BE COPIED OR USED WITHOUT THE APPROVAL OF MICRO SWITCH.



NOTE-

1-(3) 6-32 NC X .219^{REF} TERMINAL SCREW AND CUPWASHER.

BZV6-2RQ8

M

DRAWING NUMBER

X 2 7

ISSUE

EVL 27 MAR 58

REVISIONS

A CO 17653 JPH 29 JAN 64

B CO30398 D B W 12 APR 2

C CO53191-E JAP 2 MAR 84

D CO55989 JAP 6 NOV 84

E CO54959N K E W 8 JUL 85

F CO72661 DAW 10 SEP 92

CHECK KFM 29 MAR 58

CHECK KFM 29 MAR 58

CHECK KFM 29 MAR 58

DRAWN K.A.F. 26 MARCH 58

FO-80378

| CHARACTERISTICS | |
|--------------------------|------------|
| OPERATING FORCE | 9-13 OZ. |
| RELEASE FORCE | 4 OZ. MIN. |
| DIFFERENTIAL TRAVEL | .002 MAX. |
| OVERTRAVEL | .140 MIN. |
| SWITCH-BASIC REPLACEMENT | BZ-2RQ784 |

| ELECTRICAL DATA | |
|--|--|
| CONTACT ARRANGEMENT S. P. D. T. | |
| 15A-125 VAC OR 480 VAC, 2A-800 VAC -L74- 1/8HP-125 VAC; 1/4HP-200 VAC 1/2A-125 VDC; 1/4A-200 VDC | |

| SCALE-FULL | |
|--|-------|
| DO NOT SCALE PRINT | |
| UNLESS OTHERWISE SPECIFIED DIMENSIONS ARE IN INCHES | |
| TOLERANCES ARE: | |
| ONE PLACE (.0) | ±.030 |
| TWO PLACE (.00) | ±.015 |
| THREE PLACE (.000) | ±.005 |
| ANGLES | ± |
| WEIGHT .58 LB. | |

