

MICRO SWITCH
a Honeywell Division

SWITCH - ENCLOSED

CATALOG LISTING
BAF1-2RN2-LH

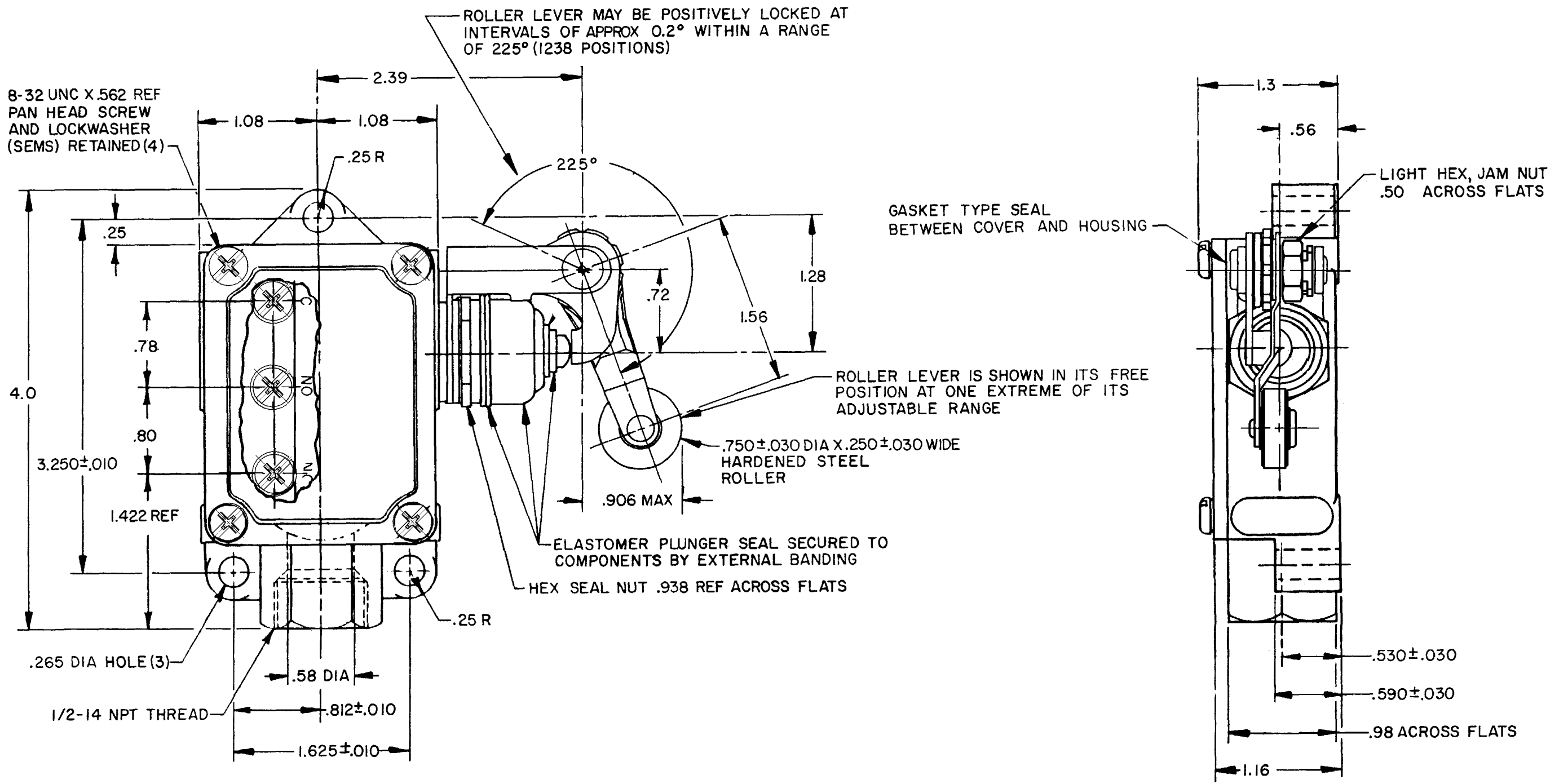
FED. MFG. CODE 91929

CATALOG LISTING
BAF1-2RN2-LH
PAGE 1 OF 1
ISSUE 19

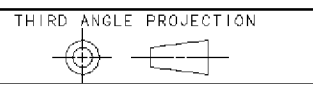
REVISIONS
A CO-73287-M
GJW
9 MAY 95
B CO81513B
JAK
5 MAR 97

CHECK JJA
25 MAY 95

CHECK GJW
9 MAY 95
DRAWN GJW



THIS DRAWING COVERS A PROPRIETARY ITEM AND IS THE PROPERTY OF MICRO SWITCH, A DIVISION OF HONEYWELL. THIS DRAWING IS NOT TO BE COPIED OR USED WITHOUT THE APPROVAL OF MICRO SWITCH



CHARACTERISTICS
OPERATING FORCE - - - - - 2 LBS MAX
RELEASE FORCE - - - - - 1/2 LB MIN
PRETRAVEL - - - - - .219 MAX
DIFFERENTIAL TRAVEL - - - - .020 MAX
OVERTRAVEL - - - - - .250 MIN
BASIC SWITCH REPLACEMENT -- BA-2R708-P7

ELECTRICAL DATA
CONTACT ARRANGEMENT S P D T
L23 20A 125, 250 OR 480 VAC 10A 125 VAC "L" 1HP 125 VAC, 2HP 250 VAC 1/2A 125 VDC, 1/4A 250 VDC

SCALE FULL
DO NOT SCALE PRINT
UNLESS OTHERWISE SPECIFIED TOLERANCES ARE
ONE PLACE (.01) ±.030
TWO PLACE (.00) ±.015
THREE PLACE (.000) ±.005
ANGLES ±
WEIGHT .670 LB

- NOTES
- 1 - ROLLER LEVER BRACKET ASSEMBLY MAY BE SET IN ANY POSITION AROUND AXIS OF PLUNGER
 - 2 - 8-32 UNC X (.219) BINDER HEAD, COMBINATION, TERMINAL SCREWS AND CUPWASHERS

