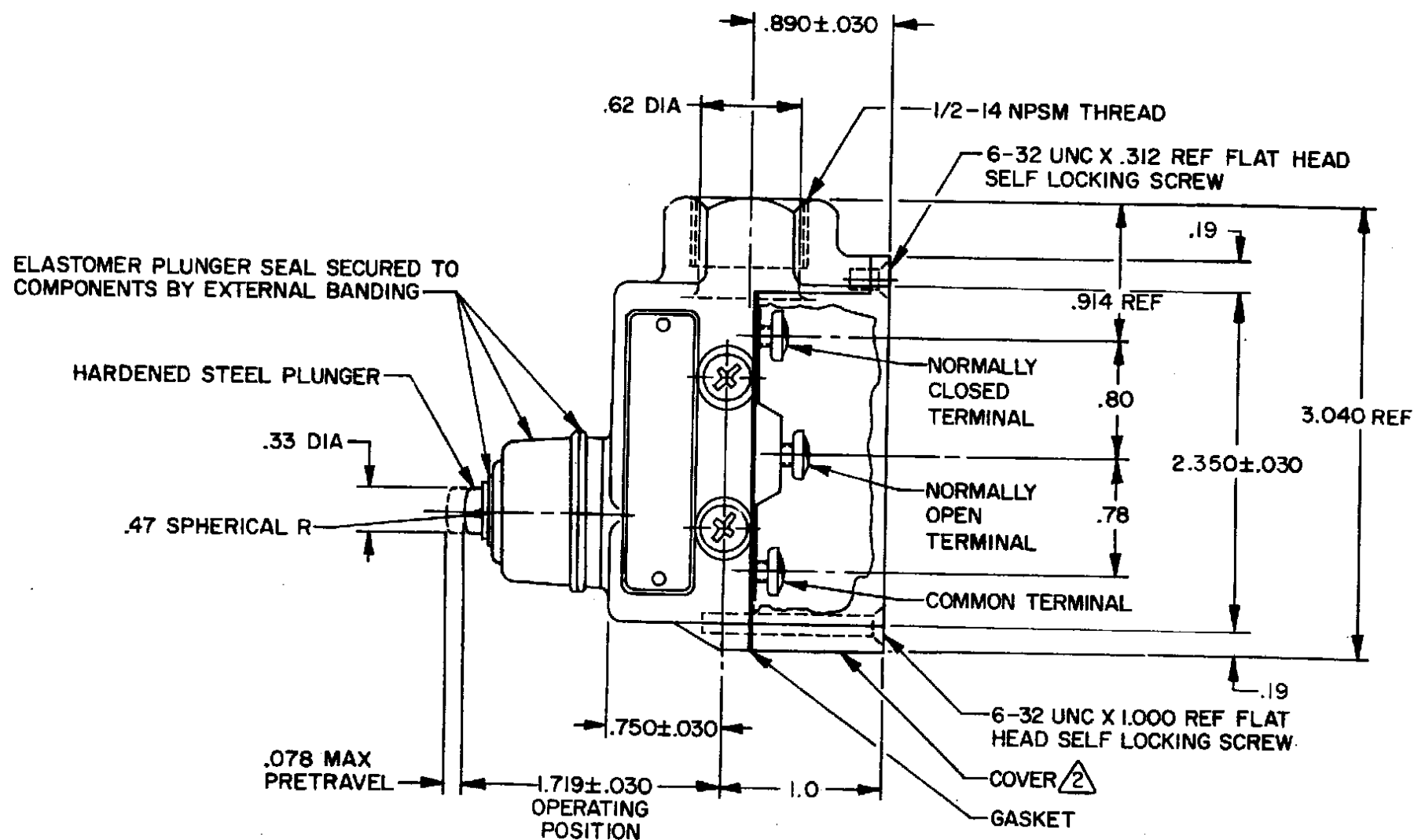
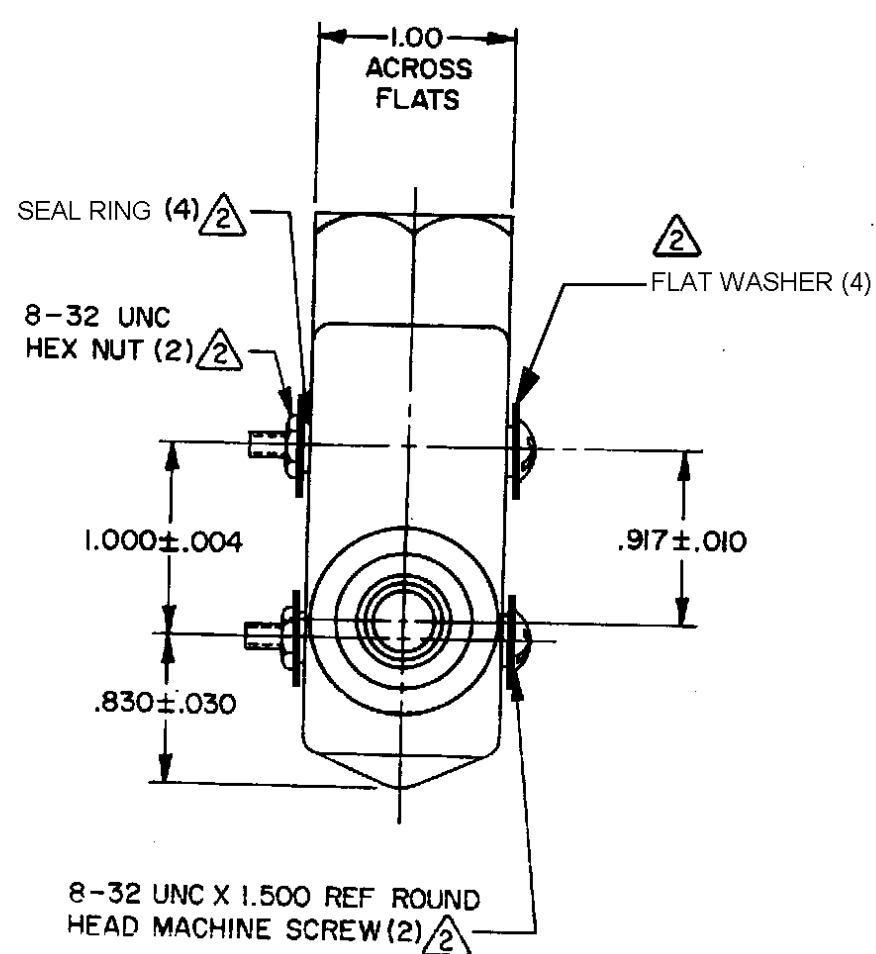


MICRO SWITCH
 FREEPORT, ILLINOIS, U.S.A.
 A DIVISION OF HONEYWELL
 FED. MFG. CODE 91928

SWITCH — ENCLOSED

CATALOG LISTING
BZE6-2RN7-S

M BZE6-2RN7-S
 DRAWING NUMBER
 ISSUE 4
 REVISIONS
 A C072476
 MAM 4 SEP 92
 B CO-77179A
 K D R 17 FEB 94
 C 0017057
 VKR 22NOV05
 BP 22NOV05
 CHECK ROE 19 NOV 85
 CHECK ROE 26 NOV 85
 CHECK CEC 15 NOV 85
 TSK 15 NOV 85
 RELEASE NO. PR-14354
 REPLACES
 BP 22NOV05
 CHECK ROE 19 NOV 85
 CHECK ROE 26 NOV 85
 CHECK CEC 15 NOV 85
 DRAWN
 FO-2281-B



THIS DRAWING COVERS A PROPRIETARY ITEM AND IS THE PROPERTY OF MICRO SWITCH, A DIVISION OF HONEYWELL. THIS DRAWING IS NOT TO BE COPIED OR USED WITHOUT THE APPROVAL OF MICRO SWITCH.

CHARACTERISTICS	
OPERATING FORCE	9-24 OZ
RELEASE FORCE	4 OZ MIN
DIFFERENTIAL TRAVEL	.002 MAX
OVERTRAVEL	.219 MIN
BASIC SWITCH REPLACEMENT	B2-2RN730

ELECTRICAL DATA	
CONTACT ARRANGEMENT S P D T	
L74	
15A 125, 250, OR 480VAC 2A 600 VAC	
1/8 HP 125 VAC, 1/4 HP 250 VAC	
1/2A 125 VDC, 1/4A 250 VDC	
CE 1.5A, 240Vac	

SCALE	FULL			
DO NOT SCALE PRINT				
TOLERANCES				
APPLY TO DESIGN UNITS. CONVERSIONS ARE ONLY FOR REFERENCE. UNLESS NOTED, TOLERANCES ARE \pm				
NO PLACES	UM	TOL.	DIM.	TOL.
ONE PLACE	X	1/64	IN	0.01/03
TWO PLACES	X,X	0.0016	X,X	0.38/016
THREE PLACES	X,X,X	0.15/006	X,X,X	0.13/006
ANGLES				
DESIGN UNITS	<input type="checkbox"/> SI METRIC	<input checked="" type="checkbox"/> US CUSTOMARY		
THIRD ANGLE PROJECTION				
WEIGHT .56 LB				

NOTES

- 1 - 6-32 UNC X .219 REF BINDING HEAD TERMINAL SCREW AND CUPWASHER (3) FURNISHED UNASSEMBLED
- 3 - SEAL RATING: NEMA1,3 IP54