



Representative photograph, actual product appearance may vary.

Due to regional agency approval requirements, some products may not be available in your area. Please contact your regional Honeywell office regarding your product of choice.

BZ-2RDS-A2-S

BZ Series Standard Basic Switch, Single Pole Double Throw Circuitry, 15 A at 250 Vac, Overtravel Plunger Actuator, 3,61 N - 5,28 N [13 oz - 19 oz] Operating Force, Silver Contacts, Screw Termination, CE, CSA, DEMKO

Features

- Accepted world-wide standard "Large Basic" switch
- Low operating force and differential travel
- Long mechanical life up to 20,000,000 cycles at 95% survival
- Elongated mounting hole for easier, more accurate mounting
- Current rating ranges from 15 A to 25 A
- Choice of actuation, termination and operating characteristics

Typical Applications

- Irrigation systems
- Semi-trailer trucks
- Timing devices
- Office equipment
- Test instruments
- Medical/dental equipment
- HVAC equipment
- Manually operated devices
- Valves

Description

BZ/BA Series Standard Basic Switches are used for simple or precision on/off application needs.

BZ-2RDS-A2-S

BZ Series Standard Basic Switch, Single Pole Double Throw Circuitry, 15 A at 250 Vac, Overtravel Plunger Actuator, 3,61 N - 5,28 N [13 oz - 19 oz] Operating Force, Silver Contacts, Screw Termination, CE, CSA, DEMKO

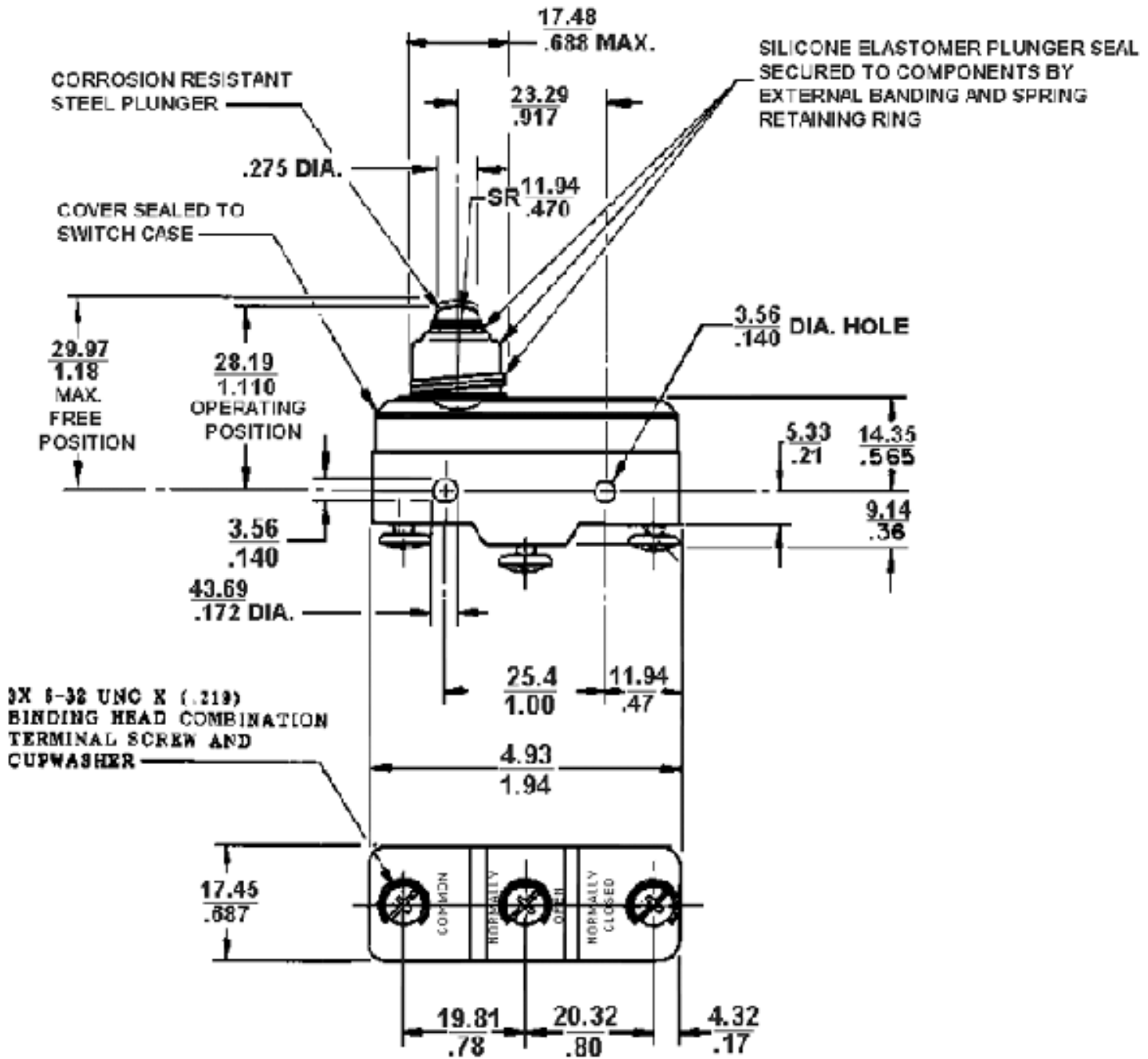
Product Specifications

Switch Type	Standard 25,4 mm H x 17,8 mm W x 50,8 mm L [1.0 in H x 0.7 in W x 2.0 in L]
Sealed	Yes, Environment
Ampere Rating	15 A
Circuitry	Single Pole Double Throw (SPDT)
Actuator	Overtravel Plunger
Termination	Screw
Operating Temperature Range	-55 °C to 85 °C [-67 °F to 185 °F]
Voltage	250 Vac
Approvals	CE, CSA, DEMKO, UL
Contact Type	Silver
Operating Force (O.F.)	3,61 - 5,28 N [13.0 - 19.0 oz]
Release Force (R.F.)	1,11 N [4.0 oz] min.
Overtravel (O.T.)	1,57 mm [0.062 in] min.
Differential Travel (D.T.)	0,01 mm - 0,064 mm [0.0004 in - 0.0025 in]
Operating Position (O.P.)	28,20 mm [0.787 in] ± 0,51 mm [1.11 in ± 0.020 in]
Material	Plastic
Housing Material	General Purpose Phenolic
High Temperature	204 °C [400 °F]
CE mark	61058-1
UL File #	E12252
CSA File #	LR41370
Agency Approvals and Standards	1054
Mounting Screw Size	3,53 mm [0.139 in]
Mounting Centers	25,4 mm [1 in]
Maximum Tightening Torque	0,33 N m [3.0 in lb]
Weight	28,6 g [0.063 lb]
Package Height	24,1 mm [0.95 in]
Package Width	17,5 mm [0.69 in]
Package Length	49,3 mm [1.94 in]
Recommended For	Added overtravel, for manual operation and slow 20 ° max. cam rise, dustproof and splash resistant seal
Availability	Global
UNSPSC Code	30211905
UNSPSC Commodity	30211905 Snap switches
Series Name	BZ Series

BZ-2RDS-A2-S

BZ Series Standard Basic Switch, Single Pole Double Throw Circuitry, 15 A at 250 Vac, Overtravel Plunger Actuator, 3,61 N - 5,28 N [13 oz - 19 oz] Operating Force, Silver Contacts, Screw Termination, CE, CSA, DEMKO

MOUNTING DIMENSIONS - FOR REFERENCE ONLY (MM/IN)



BZ-2RDS-A2-S

BZ Series Standard Basic Switch, Single Pole Double Throw Circuitry, 15 A at 250 Vac, Overtravel Plunger Actuator, 3,61 N - 5,28 N [13 oz - 19 oz] Operating Force, Silver Contacts, Screw Termination, CE, CSA, DEMKO

WARNING

PERSONAL INJURY

DO NOT USE these products as safety or emergency stop devices, or in any other application where failure of the product could result in personal injury.

Failure to comply with these instructions could result in death or serious injury.

WARNING

MISUSE OF DOCUMENTATION

- The information presented in this product sheet (or catalog) is for reference only. DO NOT USE this document as product installation information.
- Complete installation, operation and maintenance information is provided in the instructions supplied with each product.

Failure to comply with these instructions could result in death or serious injury.