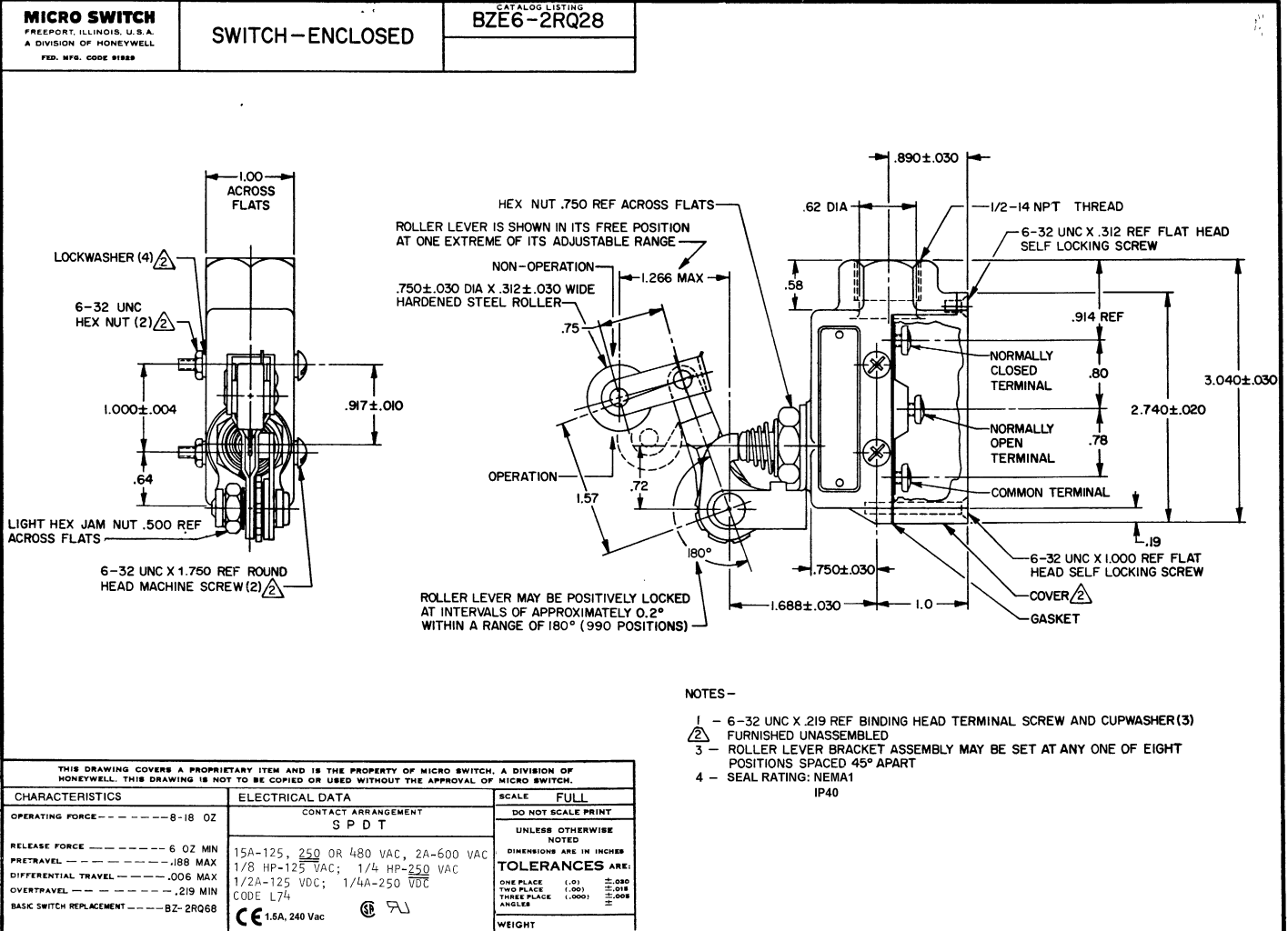


MICRO SWITCH
 FREEPORT, ILLINOIS, U.S.A.
 A DIVISION OF HONEYWELL
 FPD. NFD. CODE 9188

SWITCH-ENCLOSED

CATALOG LISTING
BZE6-2RQ28

BZE6-2RQ28
 DRAWING NUMBER
 ISSUE 8
 PSR 29AUG07
 REVISIONS
 A 18 SEP 77
 B 03 SEP 77
 C 05 SEP 77
 D 05 SEP 77
 E 07 SEP 77
 F 01 OCT 77
 G 10 NOV 77
 H 29 AUG 07
 CHECK K P K 23 23 SEP 77
 DRAWN
 RASTER
 16 SEPT 77
 S L B



NOTES -

- 1 - 6-32 UNC X .219 REF BINDING HEAD TERMINAL SCREW AND CUPWASHER (3) FURNISHED UNASSEMBLED
- 2 - ROLLER LEVER BRACKET ASSEMBLY MAY BE SET AT ANY ONE OF EIGHT POSITIONS SPACED 45° APART
- 4 - SEAL RATING: NEMA1
IP40

THIS DRAWING COVERS A PROPRIETARY ITEM AND IS THE PROPERTY OF MICRO SWITCH, A DIVISION OF HONEYWELL. THIS DRAWING IS NOT TO BE COPIED OR USED WITHOUT THE APPROVAL OF MICRO SWITCH.

CHARACTERISTICS	ELECTRICAL DATA	SCALE FULL
OPERATING FORCE-----8-18 OZ	CONTACT ARRANGEMENT S P D T	DO NOT SCALE PRINT
RELEASE FORCE-----6 OZ MIN	15A-125, 250 OR 480 VAC, 2A-600 VAC	UNLESS OTHERWISE NOTED
PRETRAVEL-----.188 MAX	1/8 HP-125 VAC; 1/4 HP-250 VAC	DIMENSIONS ARE IN INCHES
DIFFERENTIAL TRAVEL-----.006 MAX	1/2A-125 VDC; 1/4A-250 VDC	TOLERANCES ARE:
OVERTRAVEL-----.219 MIN	CODE L74	ONE PLACE (.0) ±.030
BASK SWITCH REPLACEMENT-----BZ-2RQ68	CE 1.5A, 240 Vac	TWO PLACE (.00) ±.018
		THREE PLACE (.000) ±.008
		ANGLES ±.008
		WEIGHT