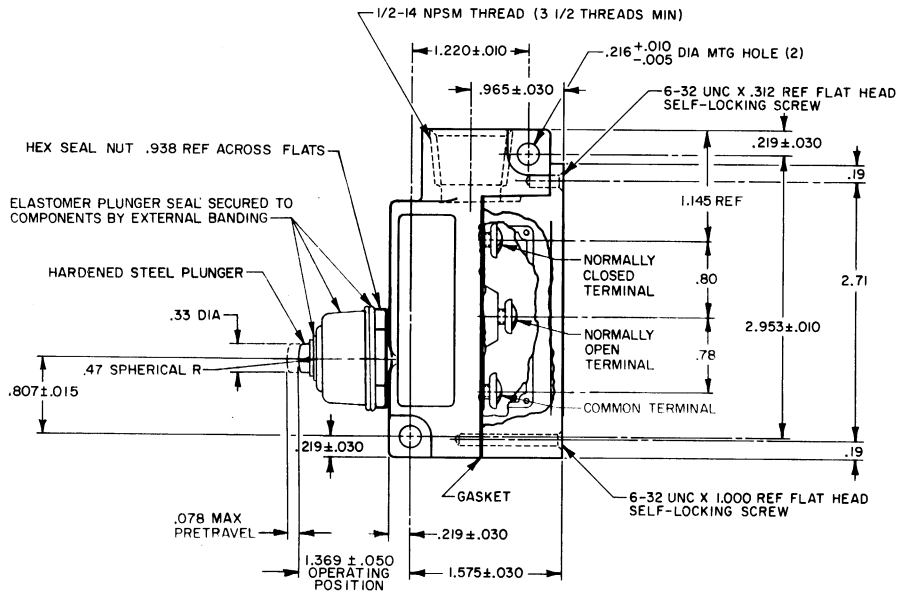
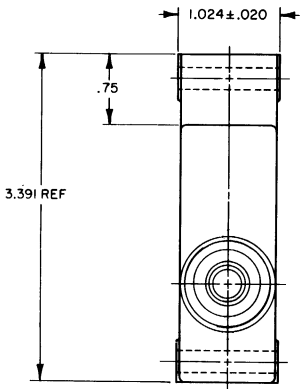


MICRO SWITCH
FREEPORT, ILLINOIS, U.S.A.
A DIVISION OF HONEYWELL
FED. MFG. CODE 8188B

SWITCH-ENCLOSED

CATALOG LISTING
BZGI-2RN34



BZGI-2RN34
M
X
4
REVISIONS
A 0067624
S.L.B. JUN 50
B 0072977
C 77779-C
MAX 12 MAR 54
J.A.S. 14 OCT 85
J.S. 14 OCT 85

THIS DRAWING COVERS A PROPRIETARY ITEM AND IS THE PROPERTY OF MICRO SWITCH, A DIVISION OF HONEYWELL. THIS DRAWING IS NOT TO BE COPIED OR USED WITHOUT THE APPROVAL OF MICRO SWITCH.

CHARACTERISTICS	ELECTRICAL DATA
OPERATING FORCE ----- 15-39 OZ	CONTACT ARRANGEMENT
RELEASE FORCE ----- 10 OZ MIN	S P D T
DIFFERENTIAL TRAVEL ----- .002 MAX	L74
OVERTRAVEL ----- .219 MIN	1/8 HP 125, 250, OR 480VAC 2A 800 VAC
SWITCH-BASIC REPLACEMENT ----- BZ-2RN7027	1/8 HP 125 VAC, 1/4 HP 250 VAC
	1/2A 125 VDC, 1/4A 250 VDC
	R

SCALE FULL		
DO NOT SCALE PRINT		
TOLERANCES		
APPLY TO DIMENSIONS UNLESS OTHERWISE NOTED. TOLERANCES ARE IN INCHES UNLESS NOTED.		
NO PLACES IN .0005	IN .001	OW .0001
ONE PLACE IN .001	IN .002	OW .0001
TWO PLACES IN .002	IN .004	OW .0001
THREE PLACES IN .004	IN .008	OW .0001
FOUR PLACES IN .008	IN .016	OW .0001
DESIGN UNITS	METRIC	US CUSTOMARY
THIRD ANGLE PROJECTION		
WEIGHT		

NOTES
1 - 6-32 UNC X .219 REF BINDING HEAD TERMINAL SCREW AND CUPWASHER (3)