

Data interface - EM-CAN-GATEWAY-IFS - 2901504

Please be informed that the data shown in this PDF Document is generated from our Online Catalog. Please find the complete data in the user's documentation. Our General Terms of Use for Downloads are valid (<http://phoenixcontact.com/download>)



The EM-CAN-GATEWAY-IFS CANopen® module connects up to 32 motor management modules (EMM-...IFS) or other INTERFACE system devices together via the TBUS DIN rail connector.

Product Features



Key commercial data

Packing unit	1 pc
Custom tariff number	85389091
Country of origin	Germany

Technical data

Note

Utilization restriction	EMC: class A product, see manufacturer's declaration in the download area
-------------------------	---

Device supply

Rated control supply voltage U_s	24 V DC -20 % ... +25 %
Rated control supply current I_s	85 mA (plus load current of the outputs)
Protective circuit	Protection against polarity reversal
	Surge protection

Digital inputs

Number	4
Rated actuating voltage U_c	24 V DC \pm 20 %
Rated actuating current I_c	3 mA
Protective circuit	Protection against polarity reversal

Digital outputs

Data interface - EM-CAN-GATEWAY-IFS - 2901504

Technical data

Digital outputs

Designation	Switching outputs
Number	4
Note on protection circuit	Fusing with max. 8 A F-fuse
Residual voltage	1 V
Maximum switching voltage	23 V DC ($U_B - U_{resid.}$ of the output)
Max. switching current	500 mA
Protective circuit	Parallel protection against polarity reversal, pay attention to the fuse

Connection data supply

Connection name	COMBICON connection
Conductor cross section solid min.	0.2 mm ²
Conductor cross section solid max.	2 mm ²
Conductor cross section AWG/kcmil min.	12
Conductor cross section AWG/kcmil max	24
Conductor cross section flexible min.	0.2 mm ²
Conductor cross section flexible max.	2.5 mm ²
Screw thread	M3
Connection method	Screw connection
Stripping length	8 mm

Connection data programming connection

Connection name	Programming connection
Number of connections	1
Connection method	S-PORT (socket)
Number of positions	12

Connection data INTERFACE system

Connection name	INTERFACE system
Number of connections	1
Connection method	DIN rail bus connectors
Number of positions	5

Connection data BUS connection

Connection name	CANopen [®]
Number of connections	1
Connection method	Screw connection
Number of positions	4

General

Operating mode	100% operating factor
----------------	-----------------------

Data interface - EM-CAN-GATEWAY-IFS - 2901504

Technical data

General

Degree of protection	IP20
Standards/regulations	EN 50178
Pollution degree	2
Surge voltage category	III
Mounting position	any
Assembly instructions	In rows with zero spacing
Mounting type	DIN rail mounting
Housing material	Polyamide PA non-reinforced
Color	green

Serial interface

Interface 1	IFS interface
Serial transmission speed	76.8 kbps
Connection method	DIN rail bus connectors
Interface 2	CANopen®
Serial transmission speed	10 kbps ... 1 Mbps
Connection method	MSTB plug entry

Ambient conditions

Ambient temperature (operation)	-25 °C ... 50 °C
Ambient temperature (storage/transport)	-35 °C ... 80 °C

Dimensions

Width	22.5 mm
Height	99 mm
Depth	114.5 mm

Classifications

eCl@ss

eCl@ss 4.0	27371190
eCl@ss 4.1	27371190
eCl@ss 5.0	27371692
eCl@ss 5.1	27371692
eCl@ss 6.0	27371001
eCl@ss 7.0	27371001
eCl@ss 8.0	27242608

Data interface - EM-CAN-GATEWAY-IFS - 2901504

Classifications

ETIM

ETIM 3.0	EC000066
ETIM 4.0	EC000066
ETIM 5.0	EC001604

UNSPSC

UNSPSC 6.01	30211915
UNSPSC 7.0901	39121514
UNSPSC 11	39121514
UNSPSC 12.01	39121514
UNSPSC 13.2	39121514

Approvals

Approvals


Approvals

UL Listed / cUL Listed / cULus Listed


Ex Approvals

Approvals submitted

Approval details

UL Listed 

cUL Listed 
--

cULus Listed 
--

Data interface - EM-CAN-GATEWAY-IFS - 2901504

Accessories

Accessories

Memory block

Memory block - IFS-CONFSTICK-L - 2901103



Multi-functional memory block with handle for the INTERFACE system; for easy storage and back up of the configuration.

Memory block - IFS-CONFSTICK - 2986122



Multi-functional memory block for the INTERFACE system for easy storage and backup of the configuration.

PCB plug

Printed-circuit board connector - MC 1,5/ 5-ST-3,81 - 1803604



Plug component, Nominal current: 8 A, Rated voltage (III/2): 160 V, Number of positions: 5, Pitch: 3.81 mm, Connection method: Screw connection, Color: green, Contact surface: Tin

Printed-circuit board connector - IMC 1,5/ 5-ST-3,81 - 1857919



Plug component, Nominal current: 8 A, Rated voltage (III/2): 160 V, Number of positions: 5, Pitch: 3.81 mm, Connection method: Screw connection, Color: green, Contact surface: Tin

Plug - IMC 1,5/ 5-ST-3,81SET IL IFS 2M - 1784729

Assembled connecting cable, IL-IFS, 2 m in length

Data interface - EM-CAN-GATEWAY-IFS - 2901504

Accessories

Required add-on products

Data cable - IFS-USB-DATACABLE - 2320500



Used for communicating between industrial PCs and Phoenix Contact devices with the 12-pos. IFS data port, such as QUINT UPS or TRIO UPS.

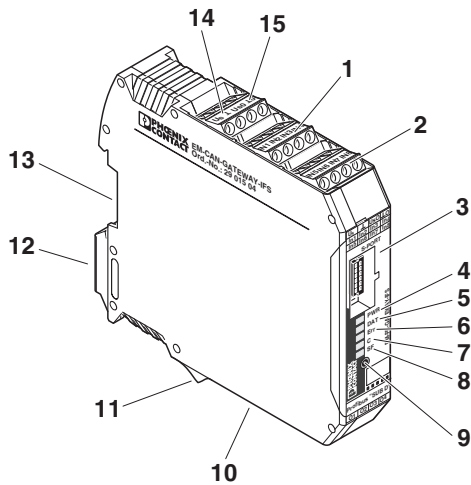
DIN rail connector - ME 22,5 TBUS 1,5/ 5-ST-3,81 GN - 2707437



DIN rail connector for DIN rail mounting. Universal for TBUS housing. Gold-plated contacts, 5-pos.

Drawings

Schematic diagram



Block diagram

