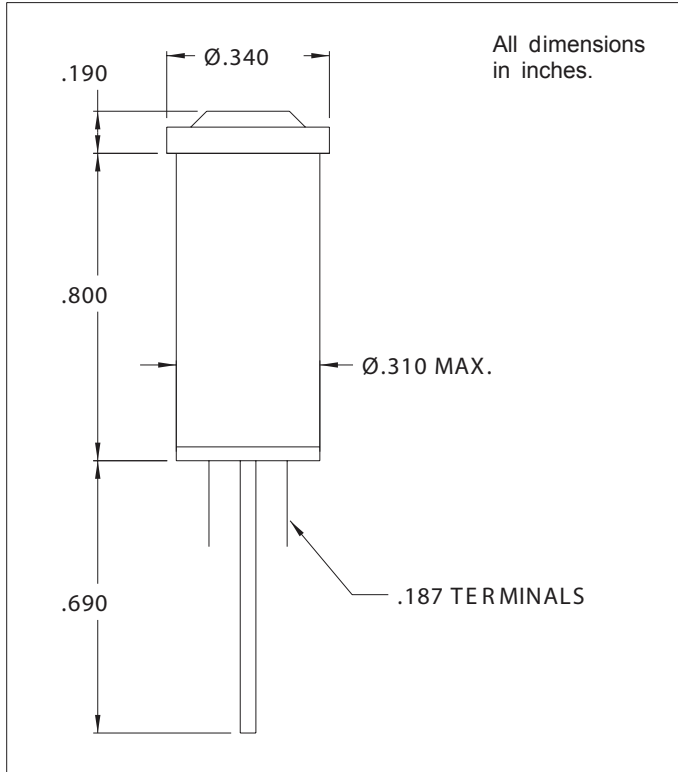


2195QA Series Non-Relampable Incandescent Indicator Lights

Description and Features



Mounting: Ø.310 MIN., supplied with push-on speednut SN1287.

Terminals: Quick-connect, tinned brass

Lens: Polycarbonate

Bezel: White nylon. For black finish add "X" after the series letter(s).

Housing: White Nylon

| Lens Color | Incandescent | |
|------------|------------------|------------------|
| | Model No. 12V | Model No. 28V |
| Red | 2195QA1-12V | 2195QA1-28V |
| Amber | 2195QA3-12V | 2195QA3-28V |
| White | 2195QA4-12V | 2195QA4-28V |
| Green | 2195QA5-12V | 2195QA5-28V |
| Lamp | #2162 | #2187 |

Underwriters Laboratories (UL) File No. E20325
Canadian Standards Association (CSA) File No. LR13346

Mouser Electronics

Authorized Distributor

Click to View Pricing, Inventory, Delivery & Lifecycle Information:

VCC:

[2195QA1-12V](#) [2195QA4-12V](#) [2195QA5-12V](#) [2195QAX1-12V](#) [2195QAX3-12V](#) [2195QAX4-12V](#) [2195QAX5-12V](#)
[2195QAX1-28V](#) [2195QAX3-28V](#) [2195QAX4-28V](#) [2195QAX5-28V](#)