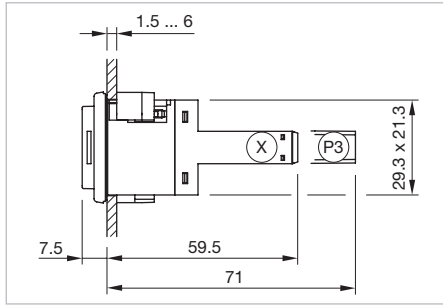


22 Flush design

Indicator, IP 65



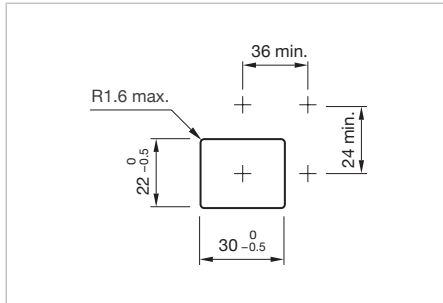
Product can differ from the current configuration.



Dimensions [mm]
 P3 = Plug-in terminal 6.3 x 0.8 mm,
 X = Screw terminal

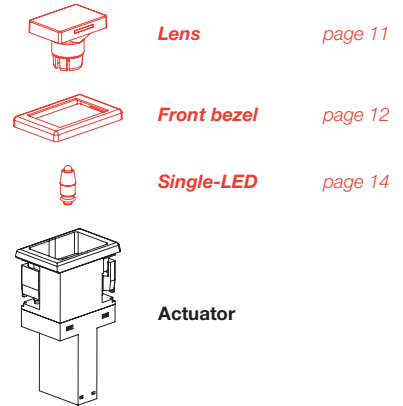
Additional Information

- For front dimension 24 x 36 mm




Mounting cut-outs [mm]

Equipment consisting of (schematic overview)



Each Part Number listed below includes all the black components shown in the 3D-drawing.

To obtain a complete unit, please select the red components from the pages shown.

Terminal	Part No.	Wiring diagram	Weight
 <p>Indicator actuator</p>			
	Screw	22-040.001	1
Plug 6.3 x 0.8 mm	22-040.004	1	0.019 kg

