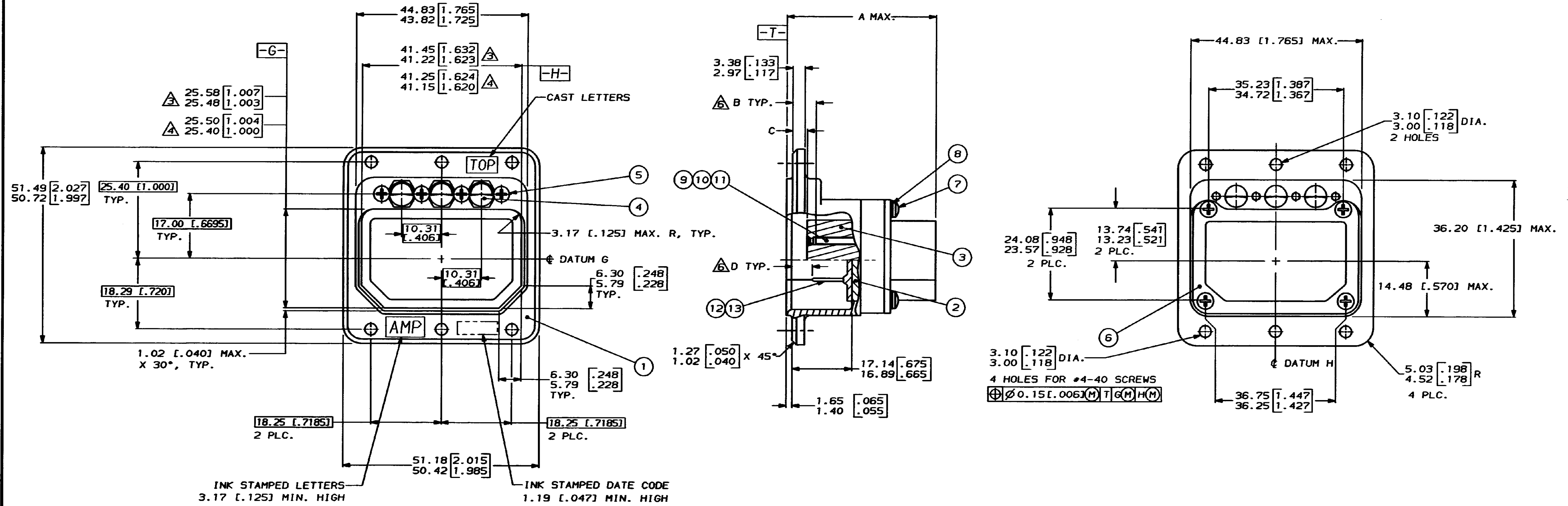
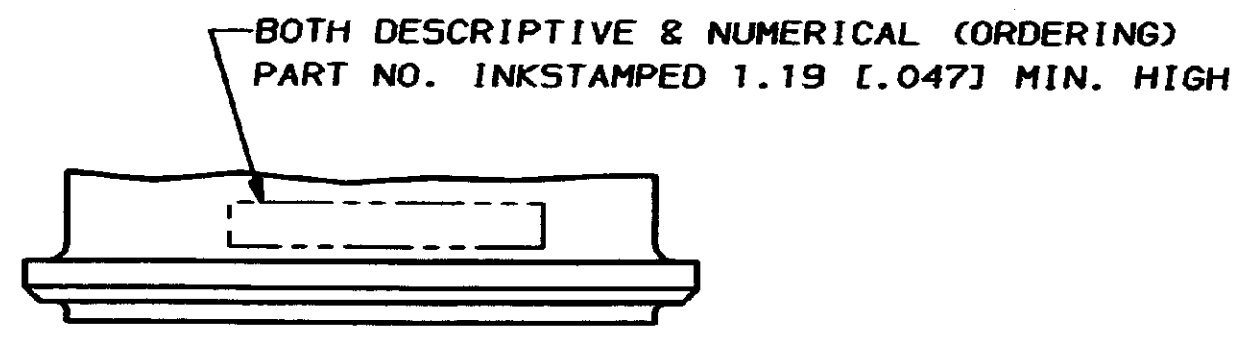
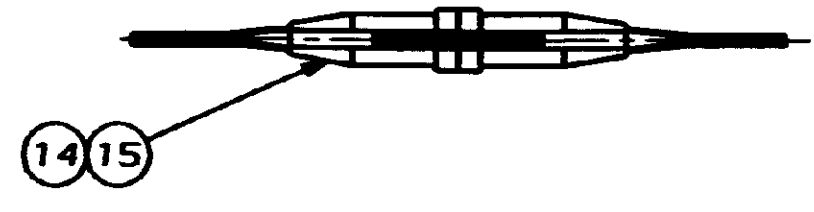


DRAWING MADE IN THIRD ANGLE PROJECTION
 THIS DRAWING IS UNPUBLISHED. RELEASED FOR PUBLICATION .19
 © COPYRIGHT 19 BY AMP INCORPORATED, HARRISBURG, PA. ALL INTERNATIONAL RIGHTS RESERVED. AMP PRODUCTS MAY BE COVERED BY U.S. AND FOREIGN PATENTS AND/OR PATENTS PENDING.

5049		LOC	DIST	P	F	ZONE	LTR	REVISIONS		DATE	APPD
								0	RELEASED	3-11-87	MPH
								A	REV PER DF-0440	3-16-88	LGL
								B	REV PER ECN DF-0770 TW	3-89	EJW



- CONTACTS SHOWN LOADED FOR ILLUSTRATION ONLY; ARE INCLUDED IN A CONTAINER WITHIN CONNECTOR PACKAGE FOR SHIPMENT.
- FOR INSERT ARRANGEMENTS AND DIMENSIONS, SEE TABLES ON SHEET 2 OF 2.
- Δ DIMENSION TAKEN AT 7.67/7.57 [.302/.298] FROM TOP EDGE.
- ∇ DIMENSION TAKEN AT 1.32/1.22 [.052/.048] FROM BOTTOM OF CAVITY.
- DIMENSIONS IN BRACKETS ARE IN INCHES.
- Δ FOR CONTACT SIZE #22, DIMENSION "B" REPRESENTS PIN CONTACTS AND DIMENSION "D" REPRESENTS SOCKET CONTACTS.



METRIC

UNLESS OTHERWISE SPECIFIED DIMENSIONS ARE IN MM TOLERANCES ON:		DR	M. HOFFECKER	3-11-87	PART NO	
2 PL DEC ±	---	CHK	L. LAWVER	3-11-87	AMP INCORPORATED Harrisburg, Pa. 17105	
3 PL DEC ±	---	APPD	E. HOWARD	3-11-87	NAME	
ANGLES ±	0°30'	APPD	D. SMITH	3-12-87	RECEPTACLE CONN. KIT, ARINC 404, SINGLE INSERT, RM1R SERIES	
MATERIAL	SEE TABLE SHT. 2 OF 2	PRODUCT SPEC			SIZE	D
FINISH	SEE TABLE SHT. 2 OF 2	APPLICATION SPEC			FSCN NO	00779
		WEIGHT			DRAWING NO	213436
					SCALE	2:1
					SHEET	1 OF 2

CUSTOMER DRAWING

THIS DRAWING IS UNPUBLISHED. RELEASED FOR PUBLICATION .19
 © COPYRIGHT 19 BY AMP INCORPORATED, HARRISBURG, PA. ALL INTERNATIONAL RIGHTS RESERVED. AMP PRODUCTS MAY BE COVERED BY U.S. AND FOREIGN PATENTS AND/OR PATENTS PENDING.

5049	LOC	DIST	REVISONS	
DF	A0	P	ZONE	LTR
			DESCRIPTION	DATE
			SEE SHEET 1	

106P	67P	67P	40C1S	33C4P	D8S	INSERT	
01	01	00	23	00	00	CUSTOMER ORDERING CODE, SEE DRAWING 205102	
01	01		01	01	01	KEYING CODE, SEE DRAWING 204014	
01	01		01	01	01	MODIFICATION CODE, SEE DRAWING 205100	
4	4					CLINCH NUT - STEEL; PL CADMIUM	18
						WASHER - STAINLESS STEEL; PASSIVATED	17
						ALIGNMENT BUSHING - STAINLESS STEEL; PASSIVATED	16
1	1	1	1			91066-4 INSERT/EXTRACT TOOL, SIZE 20 - ACETAL/BE CU; PL NICKEL	15
1	1	1				91066-3 INSERT/EXTRACT TOOL, SIZE 16 - ACETAL/BE CU; PL NICKEL	14
64	64	64				204938-3 PIN CONT, SIZE 20 - LEADED COPPER; PL GOLD OVER NICKEL	13
3	3	3				204978-3 PIN CONT, SIZE 16 - LEADED COPPER; PL GOLD OVER NICKEL	12
			39			205116-1 SKT CONT ASSY, SIZE 20 - LEADED COPPER; PL GOLD OVER NICKEL	11
				4		205117-1 SKT CONT ASSY, SIZE 16 - LEADED COPPER; PL GOLD OVER NICKEL	10
				4		205851-2 SKT CONT ASSY, SIZE 12 - LEADED COPPER; PL GOLD OVER NICKEL	9
4	4	4	4	4	4	LOCKWASHER - STAINLESS STEEL; PASSIVATED	8
4	4	4	4	4	4	MACHINE SCREW - STAINLESS STEEL; PASSIVATED	7
1	1	1	1	1	1	RETAINER PLATE - ALUMINUM; ANODIZED BLUE	6
4	4	4	4	4	4	FLATHEAD SCREW - STAINLESS STEEL; PASSIVATED	5
3	3	3	3	3	3	KEYING INSERT - ALUMINUM; PL CADMIUM, YELLOW CHROMATE	4
			1			SOCKET INSERT ASSEMBLY - EPOXY; BLACK	3
1	1	1		1		PIN INSERT ASSEMBLY - EPOXY; BLACK	2
1	1	1	1	1	1	SHELL - ALUMINUM; PL CADMIUM, YELLOW CHROMATE	1

B DIM.				C DIM.				D DIM.			
CONTACT SIZE				CONTACT SIZE				CONTACT SIZE			
22	20	16	12	22	20	16	12	22	20	16	12
4.32	5.21	5.21	4.44	2.06	2.06	2.06	6.35	8.79	4.19		
2.92	3.71	3.71	3.48	1.22	1.22	1.22	5.21	6.12	2.64		
.170	.205	.205	.175	.081	.081	.081	.250	.348	.165		
.115	.146	.146	.137	.048	.048	.048	.205	.241	.104		

A DIM.	INSERT ARRANGEMENT													
	C2	C3	8	C8	D8	26	32C2	33C4	40	40C1	45	57	67	106
					33.35				38.74				33.35	27.33
					[1.313]				[1.525]				[1.313]	[1.076]

METRIC

UNLESS OTHERWISE SPECIFIED DIMENSIONS ARE IN MM TOLERANCES: .01

2 PL DEC ±
3 PL DEC ±
ANGLES ±

MATERIAL: SEE TABLE
FINISH: SEE TABLE

DR: M. HOFFECKER 3-11-87
CHK: L. LAWVER 3-11-87
APPD: E. HOWARD 3-11-87
D. SMITH 3-12-87

AMP INCORPORATED Harrisburg, Pa. 17105

RECEPTACLE CONN. KIT, ARINC 404, SINGLE INSERT, RMIR SERIES

SIZE: D FSCM NO: 00779 DRAWING NO: 213436

SCALE: SHEET 2 OF 2