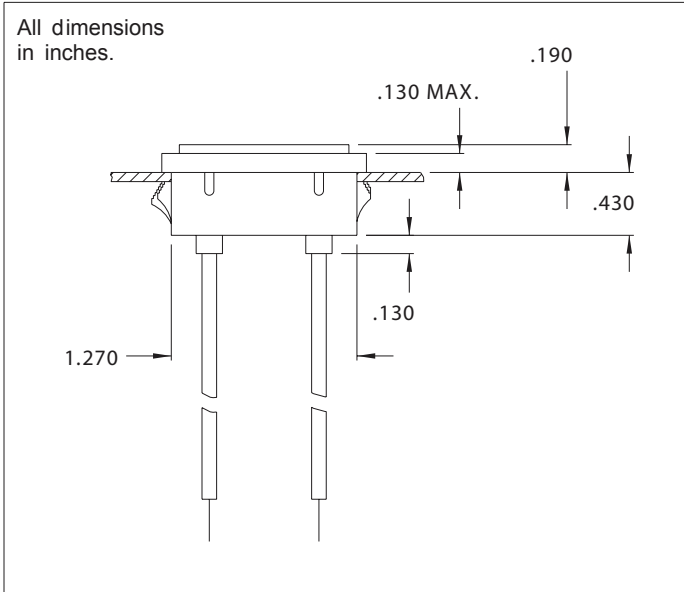


2330D and 2332D Series Non-Relampable Neon Indicator Light

Description and Features



Mounting: Will snap-fit into $\text{Ø}.032/.100$ thick panels. Use speednut for other panel thicknesses. Available with speednut SN1963. Mounting hole pattern on page SP3.

Wire Leads: No. 22 AWG (105°C) 4.40/4.80 long, stripped .430/.570

Lens: Polycarbonate

Anode(+): Red lead

Bezel: Polished stainless steel. For black finish add "X" after the series letter(s).

Lens Color	Neon
	Model No. (105-125VAC)
Red	2330D1
Amber	2330D3
White	2330D4
Green	2332D5*
Lamp used	C2A+Resistor

*Incorporates G2B lamp and resistor
Underwriters Laboratories (UL) File No. E20325
Canadian Standards Association (CSA) File No. LR13346

Mouser Electronics

Authorized Distributor

Click to View Pricing, Inventory, Delivery & Lifecycle Information:

VCC:

[2330D3](#) [2330D4](#) [2330DX1](#) [2330DX3](#) [2330DX4](#) [2332DX5](#)