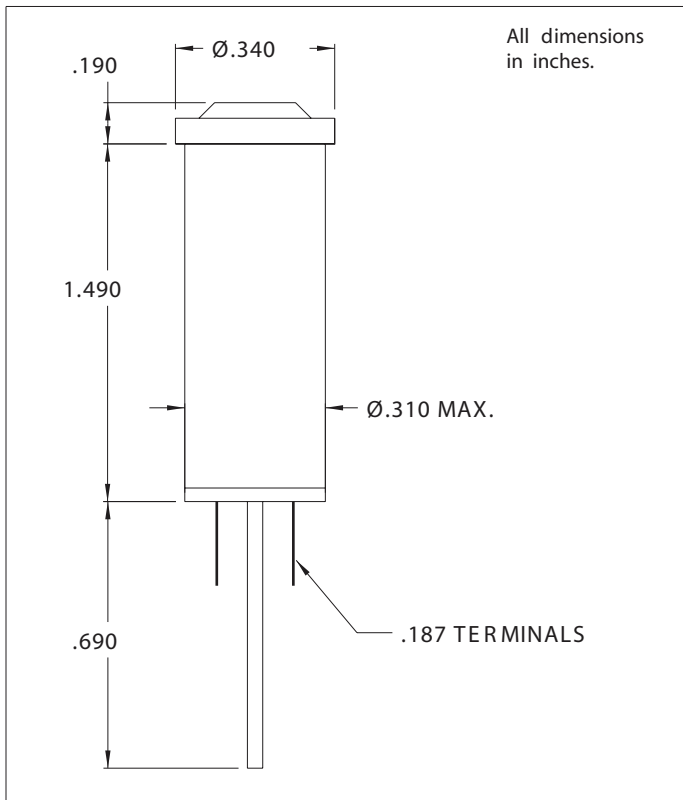


2110QA, 2111QA, 2112QA, 2113QA Series Non-Relampable Neon Indicator Lights

Description and Features



Mounting: Ø.310 MIN., supplied with push-on speednut SN1287.

Terminals: Quick-connect, tinned brass, .187 x .020

Lens: Polycarbonate

Bezel: White nylon.

Housing: White Nylon

Lens Color	Neon	
	Model No. (105-125VAC)	Model No. (208-250VAC)
Red	2110QA1	2111QA1
Clear	2110QA2	-
Amber	2110QA3	-
White	2110QA4	2111QA4
Green	2112QA5*	2113QA5*
Lamp	C2A+Resistor	C2A+Resistor

* Incorporates G2B lamp and resistor.
Underwriters Laboratories (UL) File No. E20356

Mouser Electronics

Authorized Distributor

Click to View Pricing, Inventory, Delivery & Lifecycle Information:

VCC:

[2110QA3](#) [2110QA4](#) [2110QA1](#) [2110QA2](#)