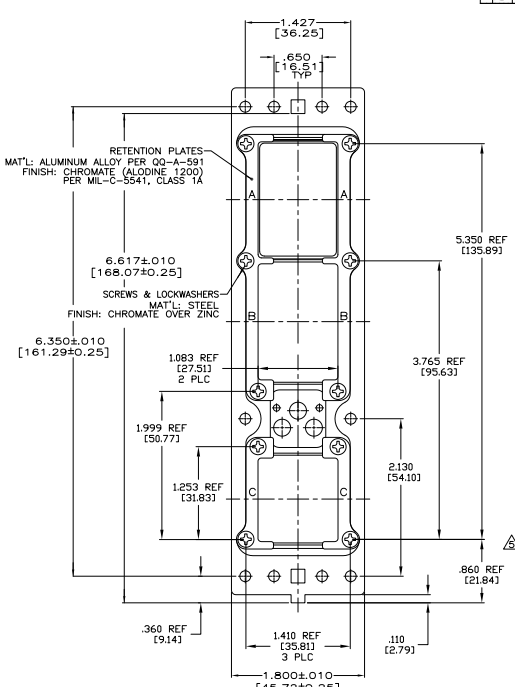
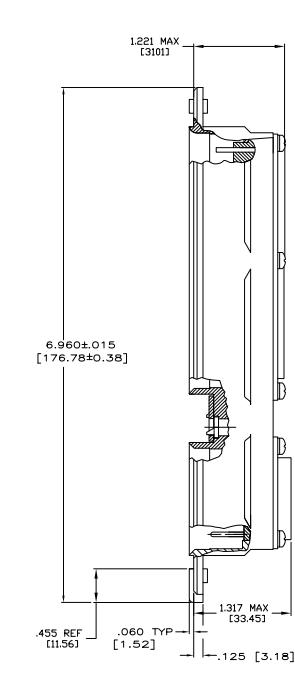
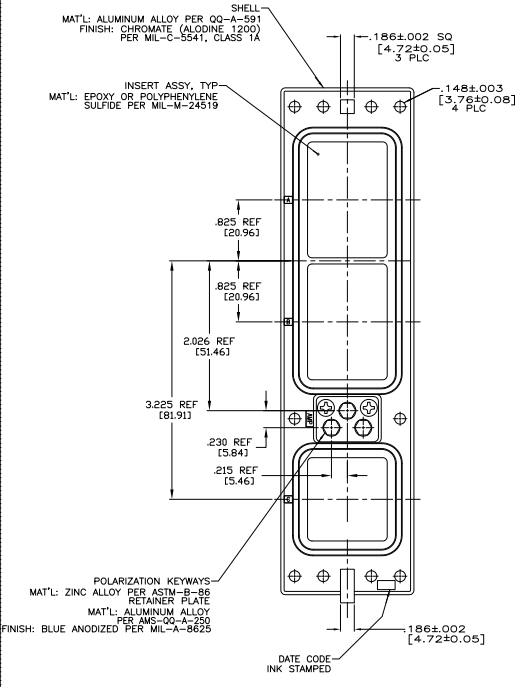


THIS DRAWING IS UNPUBLISHED
 RECORD OF PROVISION
 BY THE ELECTRONIC CORPORATION ALL RIGHTS RESERVED

REV	DF	APP	DATE	REVISIONS
AB	AO		8-27-08	CT KT



DESCRIPTION	PART NUMBER
NIC66G23FA01FFD	4-211991-5
NIC66G21FA00GDD	4-211991-4
▲	4-211991-3
▲	4-211991-2
▲	4-211991-1
NIC66G21FA01FKO	4-211991-0
▲	3-211991-9
▲	3-211991-8
NIC66G21FA07GDD	3-211991-7
NIC66G29FA02FA1	3-211991-6
NIC66G21FA01GJ0	3-211991-5
NIC66G20FA01FA1	3-211991-4
NIC66G20FA00FA1	3-211991-3
▲	3-211991-2
▲	3-211991-1
NIC66G21FA04FFD	3-211991-0
▲	2-211991-9
▲	2-211991-8
NIC66G21FA06GFD	2-211991-7
NIC66G21FA09GDD	2-211991-6
▲	2-211991-5
NIC66G22FA00CC1	2-211991-4
NIC66G25FA00CC1	2-211991-3
NIC66G23FA00CC1	2-211991-2
NIC66G20FA08FB0	2-211991-1
NIC66G20FA03FB0	2-211991-0
▲	1-211991-9
NIC66G29FA01FA1	1-211991-8
NIC66G23FA02FA1	1-211991-7
NIC66G21FA09GDD	1-211991-6
▲	1-211991-5
NIC66G21FA02FFD	1-211991-4
▲	1-211991-3
▲	1-211991-2
NIC66G26FA68GDD	1-211991-1
NIC66G21FA01FC0	1-211991-0
NIC66G21FA01CC1	1-211991-0
NIC66G21FA00CC1	211991-9
NIC66G26FA01FA1	211991-8
▲	211991-7
NIC66G21FA01SB1	211991-6
NIC66G21FA01GDD	211991-5
NIC66G23FA01FA1	211991-4
NIC66G25FA01FA1	211991-3
NIC66G21FA01FA1	211991-2
NIC66G23FA01FA1	211991-1

- CONTACTS ARE SHOWN IN POSITION FOR ILLUSTRATION ONLY. FOR SHIPMENT CONTACTS ARE INCLUDED IN A CONTAINER WITHIN THE CONNECTOR PACKAGE, UNLESS OTHERWISE SPECIFIED. CONTACTS ARE NOT SUPPLIED AND MUST BE ORDERED SEPARATELY.
- ALL CONTACTS CAVITIES IN MODULES A & B ARE LOCATED WITHIN .006 (0.15) DIA TRUE POSITION. ALL CONTACT CAVITIES IN MODULE C ARE LOCATED WITHIN .020 (0.51) DIA TRUE POSITION.
- POLARIZATION KEYS SHOWN IN POSITION 01 FOR ILLUSTRATION ONLY. CONNECTORS SHIPPED WITH KEYING PER ORDERING INSTRUCTIONS. CONTACT INSERTS AS SHOWN FOR ILLUSTRATION ONLY. SEE TABLE FOR DESCRIPTIVE NUMBER.
- FRONT-RELEASE FEATURE PERTAINS TO SIGNAL INSERTS ONLY.
- ALL CONTACTS SUPPLIED ARE LOADED IN THE CONNECTOR.
- SPECIAL WITH INSERTS 150/150/OPEN. STANDARD MOUNTING. SIZE 22 CONTACTS (211431-4) LOADED IN THE 150 POSN. INSERT. (2 PLC)
- SPECIAL WITH INSERTS 150/OPEN/OPEN. STANDARD MOUNTING. SIZE 22 CONTACTS (211431-4) LOADED IN THE 150 POSN. INSERT.
- PRELIMINARY PART NUMBER, NOT RELEASED FOR PRODUCTION.
- SPECIAL WITH INSERTS FR 150/FR 71CI/RR 34. SIX #4-40 CLINCH NUTS. 220 SIZE 22 POSTED SOCKET CONTACTS (211431-2) LOADED IN THE 150 AND 71CI INSERTS. ALL OTHER CONTACTS ORDERED SEPARATELY. KEYED IN POSITION '01'. SAME AS 3-211991-0 EXCEPT SIZE 22 CONTACTS ARE SOLDER DIPPED.
- SPECIAL WITH INSERTS 150/121/100 ALL FRONT RELEASE AND LOADED WITH .250 (6.35) EXTENSION POSTED CONTACTS. SIX #6-32 CLINCH NUTS. KEYED IN POSITION '01'.
- ALL DIMENSIONS PER ARINC 600 SPECIFICATIONS.

CONTACTS	MIN POST EXTENSION FROM REAR OF INSERT	AMP PART NUMBER	CONTACTS	MIN EXTENSION FROM REAR OF INSERT	AMP PART NUMBER
.025 SQUARE	-	-	.025 ROUND	.500 [12.70]	211431-8
FRONT RELEASE	3	.500 [12.70]	FRONT RELEASE	.375 [9.53]	211431-6
	2	.375 [9.53]		.250 [6.35]	211431-4
#22 CONTACTS	1	.250 [6.35]	#22 CONTACTS	.150 [3.81]	211431-2
	NUMBER OF WRAPS				

THIS DRAWING IS A CONTROLLED DOCUMENT.

DESIGNING: THOMAS
 CHECKED: THOMAS
 APPROVED: THOMAS

DATE: 11-27-08

REV: 1

DESCRIPTION: CONNECTOR ASSY SIZE 2 CLASS A, REPT, ARINC-600 FRONT RELEASE

SEE CALLOUTS

CUSTOMER DRAWING: A100779 (G=211991)

DATE: 11-27-08

REV: 1

APP: KT