

5

4

3

2

1

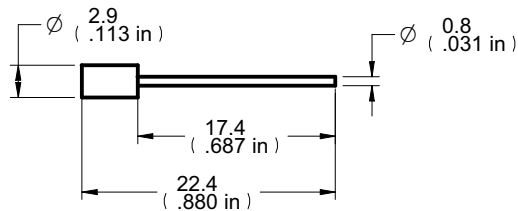
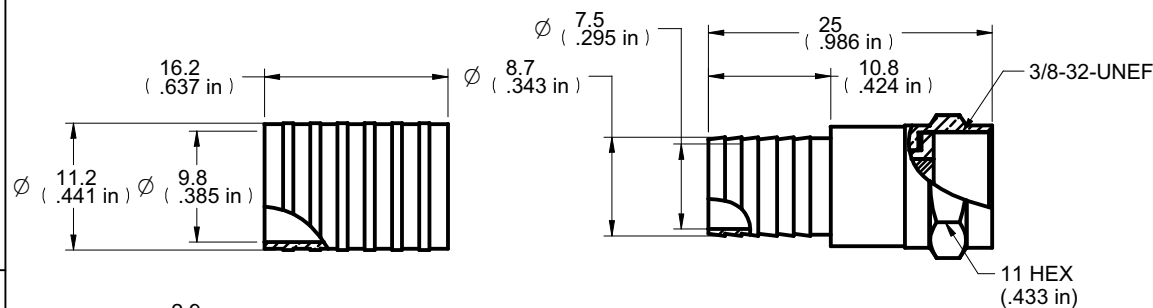
| | | | |
|------------------------------------|------------------|----------------------------|---------------------------------|
| DRAWING NO. 25-7192-CUST | | | |
| REVISIONS | | | |
| 01 | OFFICIAL RELEASE | | 2009.09.08 09:13:59 +0800 |
| | 08-21-09 | Y U Y U T H | <i>Betty</i> |



Description: 3PC Crimp RG-11 TFE 1/2 Ring
 Part No: 25-7192
 Application: For Standard RG11 Cable
 Crimp Tool: 24-7712P
 Impedance: 75 Ohms
 Frequency Range: 0-750 MHz
 Material: Body Brass Nickel plated
 Contact Brass Nickel plated
 Insulator Teflon
 Hex Nut Brass Nickel plated
 Sleeve Brass Nickel plated

RoHS Compliance: Yes
 Technical Detail: Refer to Emerson Document P/N 25-0000

| 受控 CONTROLLED DOCUMENT | | | | | |
|------------------------|--------------|-----------|----|------------------|-----------|
| 编号 P/N | 25-7192-CUST | 版本 Rev | 01 | 日期 Rel'd Date | SEP 14,09 |



DIM OUTLINE

CUSTOMER COPY



| | | | | | |
|--------------------------------------|--------|-------------------------------|--|------------------|--|
| TOLERANCE UNLESS OTHERWISE SPECIFIED | | DRAWN BY BETTY.YU | | DATE 08-21-09 | |
| DECIMALS | mm | CHECKED BY BETTY.YU | | DATE 08-21-09 | |
| X | ± 0.5 | APPROVED BY THOMAS | | DATE 08-21-09 | |
| X.X | ± 0.3 | U/M | | mm | |
| X.XX | ± 0.1 | DATE | | 08-21-09 | |
| ANGLES | ± 0.5° | U/M | | mm | |

| | | |
|--|------------------------------------|------------------|
| TITLE 3PC CRIMP RG-11 TFE 1/2 RING | | |
| SHEET 1 OF 1 | DRAWING NO. 25-7192-CUST | SIZE A |

THIS DRAWING WAS PRODUCED BY COMPUTER,
DO NOT SCALE DRAWING OR UPDATE MANUALLY.

5

4

3

2

1