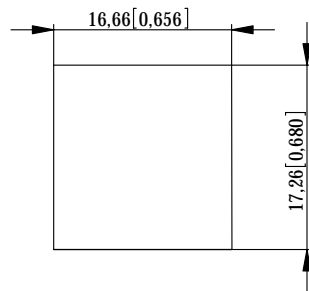


RECOMMENDED PANEL CUTOUT  
EMPFOHLENER FRONTPLATTEN AUSSCHNITT



MATERIALS AND FINISH

HOUSING: GLASS FILLED POLYESTER UL 94 V-0 BLACK  
SHIELDING: Cu ALLOY, PLATED WITH Ni  
CONTACTS: PHOSPHOR BRONZE  
CONTACT FINISH: Au, 0.8 µm (30 µin) OVER Ni  
TERMINAL FINISH: Sn MATTE  
LED LENS: EPOXY

MECHANICAL CHARACTERISTICS

DURABILITY: 1000 MATING CYCLES

ELECTRICAL CHARACTERISTICS

CONTACT RESISTANCE: 30 MILLIOHMS MAX  
OPERATING TEMPERATURE: 0°C TO 70°C

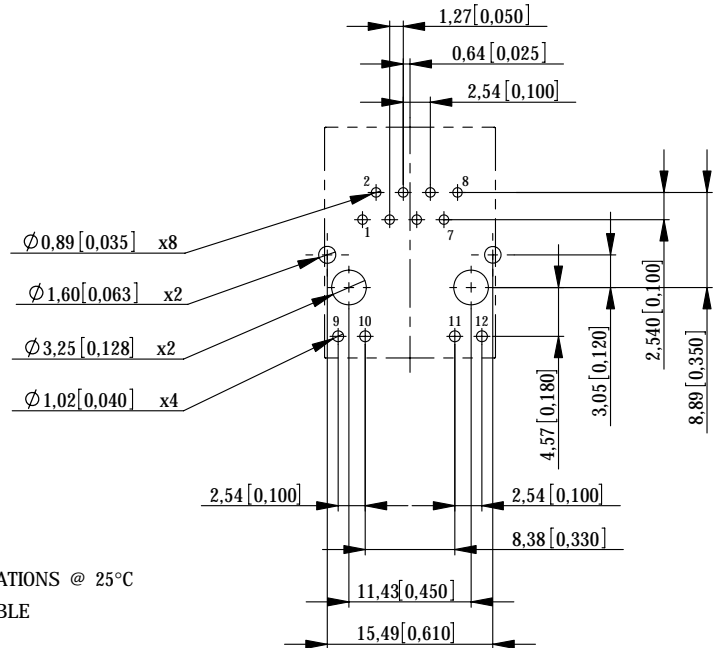
NOTE 1: RoHS COMPLIANT; PRINT "RC" WITH DATE CODE

NO. IDENT.-NR.	LED 2 LEFT LED 2 LINKS	LED 1 RIGHT LED 1 RECHTS	LED CODE
203323	YELLOW	GREEN	L1
203324	GREEN	YELLOW	L2
203325	GREEN	GREEN	L3
203326	GREEN	RED	L4
203327	ORANGE/GREEN	ORANGE/GREEN	L9

Information: SCHEMATIC NUMBER: M3D01		Tolerances		Scale 2:1
All rights reserved. Only for Information. To insure that this is the latest version of this drawing, please contact one of the ERNI companies before using.		Subject to modification without prior notice. Drawing will not be updated.		Designation <b>MOD - JACK MJIMV</b> <b>1x1, 8C8T, VERTICAL, INT. MAG., LED</b>
		www.ERNI.com		<b>203289</b>
B	30.11.2006			1 (1/2)
Index	Date			A3
				Class MJIM

Copyright by ERNI GmbH  
Proprietary notice pursuant to ISO 16004 to be observed

RECOMMENDED PCB LAYOUT (COMPONENT SIDE VIEW)  
 EMPFOHLENES LEITERPLATTEN-LAYOUT (BESTÜCKUNGSSEITE)  
 TOL ±0.05 [0.002] UNLESS NOTED



MAGNETICS SPECIFICATIONS @ 25°C

AUTO MDIX COMPATIBLE

URNS RATIO:

- (P1-P2 : J1-J2) 1CT : 1 ±3%
- (P3-P6 : J3-J6) 1CT : 1 ±3%

OCL(100 KHz, 0.1 Vrms, 8 mA)

- (P1-P2 : P3-P6) 350µH MIN

DCR (P1-P2, P3-P6) 0.9 OHMS MAX

INSERTION LOSS:

- 0.1-100 MHz -1.1 dB MAX

RETURN LOSS:

- 0.5 - 30 MHz: -18 dB MIN
- 40 MHz: -15.5 dB MIN
- 50 MHz -13.6 dB MIN
- 60 - 80 MHz -12 dB MIN

CROSSTALK:

- 1-100 MHz -40 dB TYP

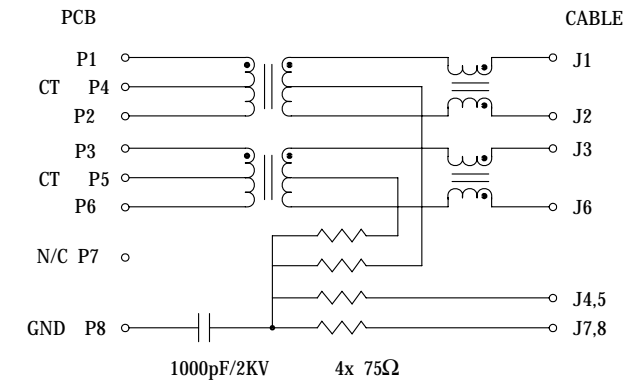
CMR:

- 0.1 - 30 MHz -50 dB TYP
- 30 - 60 MHz -40 dB TYP
- 60 - 100 MHz -35 dB TYP

ISOLATION

1500 Vrms

ELECTRICAL SCHEMATIC M3D01  
 ELEKTRISCHER SCHALTPLAN



LED SPECIFICATIONS  
 LED ANWEISUNG

COLOR FARBE	V <sub>f</sub> TYP	V <sub>f</sub> MAX	I <sub>f</sub> mA	CIRCUIT DIAGRAM SCHALTPLAN
YELLOW	2.1	2.5	20	
GREEN	2.2	2.5	20	
RED	2.25	2.5	20	
ORANGE/GREEN	2.05/2.2	2.5	20	

Information:	Tolerances		Scale 2:1
	All Dimensions in mm[in]		
All rights reserved. Only for Information. To insure that this is the latest version of this drawing, please contact one of the ERNI companies before using.	Subject to modification without prior notice. Drawing will not be updated.	Designation <b>MOD - JACK MJIMV</b> <b>1x1, 8C8T, VERTICAL, INT.MAG., LED</b>	
		www.ERNI.com	<b>203289</b>
Class MJJM		1 (2/2) A3	

Copyright by ERNI GmbH  
 Proprietary notice pursuant to ISO 16016 to be observed