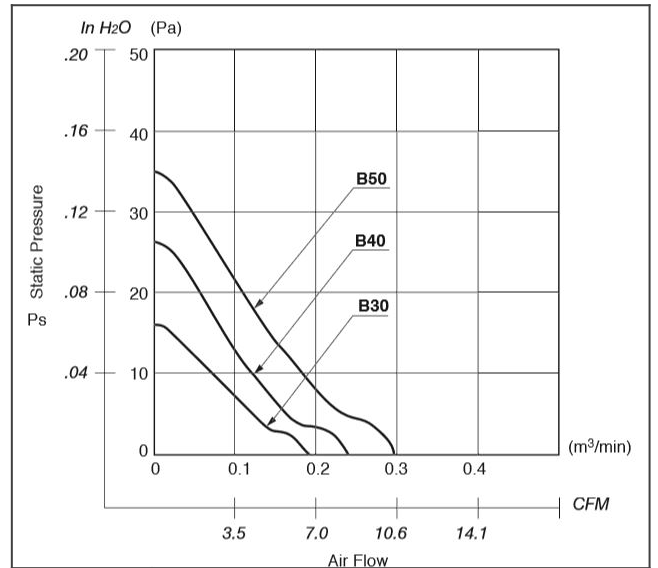


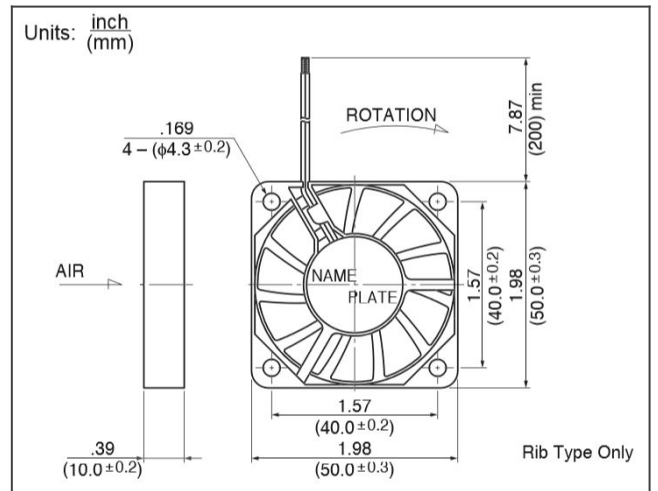
order part 2004KL-04W-B50-B00 Ball Bearing Fan DC Axial Fans



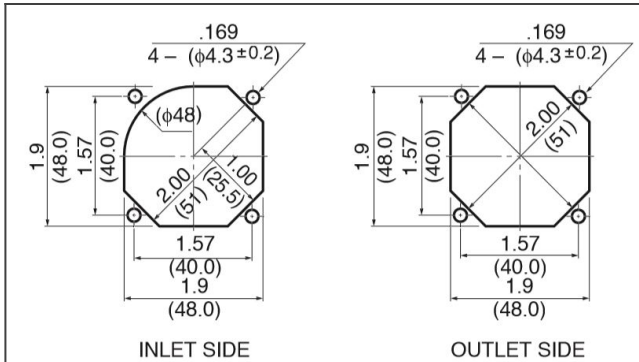
2004kl characteristics curve



2004KL product drawing



2004KL panel cut out



DC Axial Fans

Detailed Specifications

Frame Width:	50[mm]
Frame Height:	50[mm]
Frame Depth:	10[mm]
Max. Air Flow:	10.2[CFM]
Max. Air Flow:	0.29[m ³ per min]
Max. Static Pressure:	0.14[In H ₂ O]
Max. Static Pressure:	35[Pa]
Fan Speed:	5500[RPM]
Noise:	34[dB]
Life Expectancy:	25 degree C 60,000 Hours[L10]
Bearing Type:	Ball Bearing
Nominal Voltage:	12[V]
Operating Voltage - Lower:	10.2[V]
Operating Voltage - Upper:	13.8[V]
Current:	0.1[A]
Input Power:	1.2[W]
Mass:	20[g]