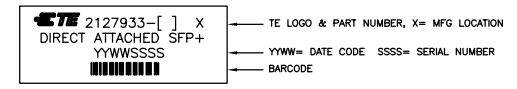
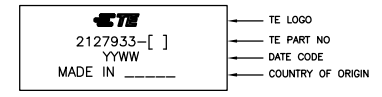


1. CHARACTERISTIC IMPEDANCE: 100±10 OHMS (MEASURED DIFFERENTIALLY).

2. LABEL INFORMATION:



3. LABEL INFORMATION:

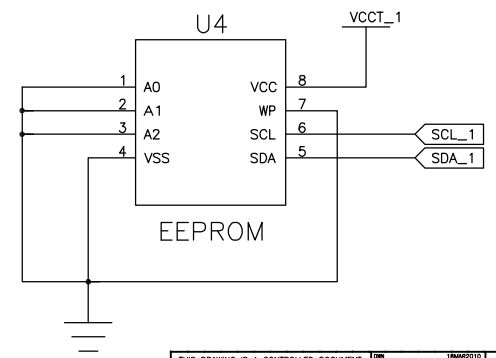
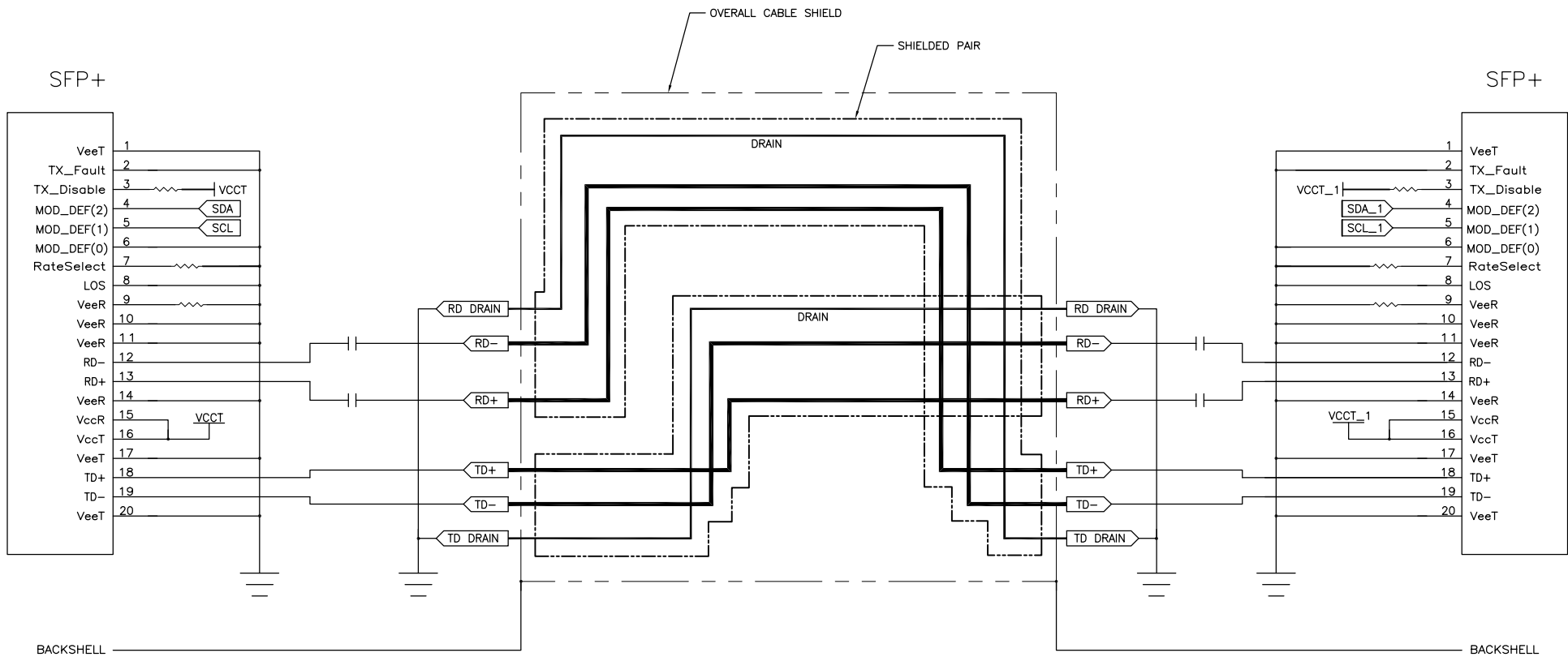


4. SEE SHEET 2 FOR WIRING SCHEMATIC.

5. ROHS COMPLIANCE: PRODUCT AND PROCESSING MEETS REQUIREMENTS OF TYCO ELECTRONICS SPECIFICATION TEC-138-702.

6	+0.1 -0	METERS	2127933-7
5	+0.1 -0	METERS	2127933-6
4	+0.08 -0	METERS	2127933-5
3	+0.08 -0	METERS	2127933-4
2	+0.08 -0	METERS	2127933-3
1	+0.05 -0	METERS	2127933-2
0.5	+0.05 -0	METERS	2127933-1
L			PART NO

THIS DRAWING IS A CONTROLLED DOCUMENT.		DRG	J. SMITH	18M2010
DIMENSIONS:		CHK	C. ADAMS	18M2010
mm	CUSTOMER LABELS:	APR	C. ADAMS	18M2010
0 PLC	CHANGES:	NAME	CABLE ASSY, 26 AWG, SFP+ TO SFP+ NL_PLATED	
1 PLC	1	APPLICATION SPEC	-	
2 PLC	2	WEIGHT	-	
3 PLC	3	SCALE	1:1	
4 PLC	4	RESTRICTED TO	-	
MATERIAL	FINISH	SIZE	CAGE CODE	DRAWING NO
-	-	A1	00779	2127933
CUSTOMER DRAWING		SCALE	SHEET	REV
		1:1	1	2



THIS DRAWING IS A CONTROLLED DOCUMENT.		DRG	T. SMITH	18M2010	
DRAWN BY: C. ADAMS		CHK	T. SMITH	18M2010	
CHECKED BY: C. ADAMS		APP	C. ADAMS	18M2010	NAME
DATE: 11/15/18		PRODUCT SPEC			CABLE ASSY, 26 AWG, SFP+ TO SFP+
MATERIAL: -		APPLICATION SPEC			NL_PLATED
FINISH: -		WEIGHT			RESTRICTED TO
SCALE: 1:1		SIZE	A1	00779	2
CUSTOMER DRAWING		DRAWING NO.	21279.33	REV	C

Mouser Electronics

Authorized Distributor

Click to View Pricing, Inventory, Delivery & Lifecycle Information:

[TE Connectivity:](#)

[2127933-6](#)