

REVISIONS

P	LTR	DESCRIPTION	DATE	DWN	APVD
	A	NEW RELEASE	19NOV2014	TJ	PS

20

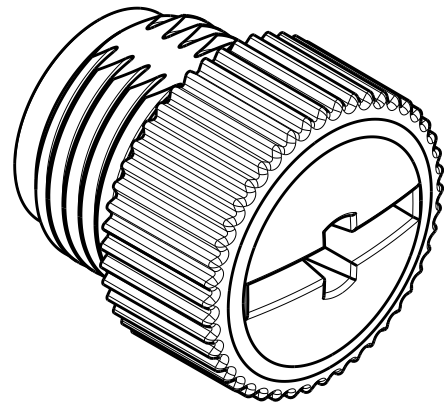
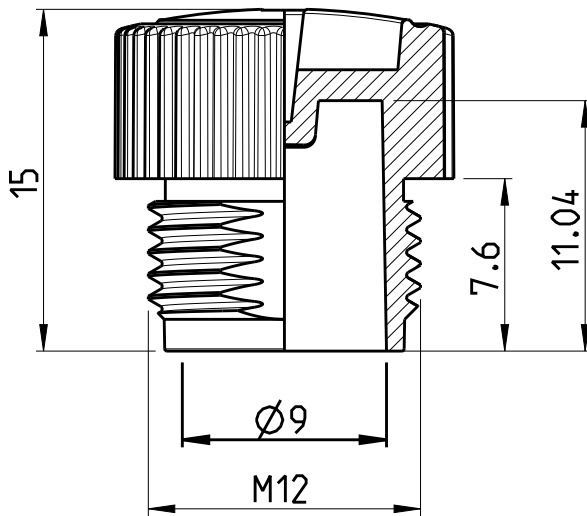
RELEASED FOR PUBLICATION

ALL RIGHTS RESERVED.

THIS DRAWING IS UNPUBLISHED.

BY -


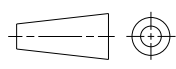
© COPYRIGHT 20



AS SHOWN 2823064-1

NOTES:

1. PROTECTION: IP 67
2. ALL DIMENSIONS FOR REFERENCE ONLY UNLESS OTHERWISE TOLERANCES SPECIFIED.

DIMENSIONS: mm		DWN CHIRASHREE 15OCT2014	MATERIAL PA66	FINISH -
TOLERANCES UNLESS OTHERWISE SPECIFIED:		CHK M THAJUDEEN 05NOV2014	 TE Connectivity	
0 PLC ±		APVD PRASHANTH 05NOV2014		
1 PLC ±		PRODUCT SPEC	NAME PROTECTIVE CAP FOR M12X1 FEMALE SOCKET	
2 PLC ±		APPLICATION SPEC	SIZE A 4	RESTRICTED TO -
3 PLC ±		WEIGHT -	CAGE CODE -	DRAWING NO C-2823064
4 PLC ±			SCALE 3:1	SHEET 1 OF 1
ANGLES ±				REV A
		Customer Drawing		

Mouser Electronics

Authorized Distributor

Click to View Pricing, Inventory, Delivery & Lifecycle Information:

[TE Connectivity:](#)

[2823064-1](#)