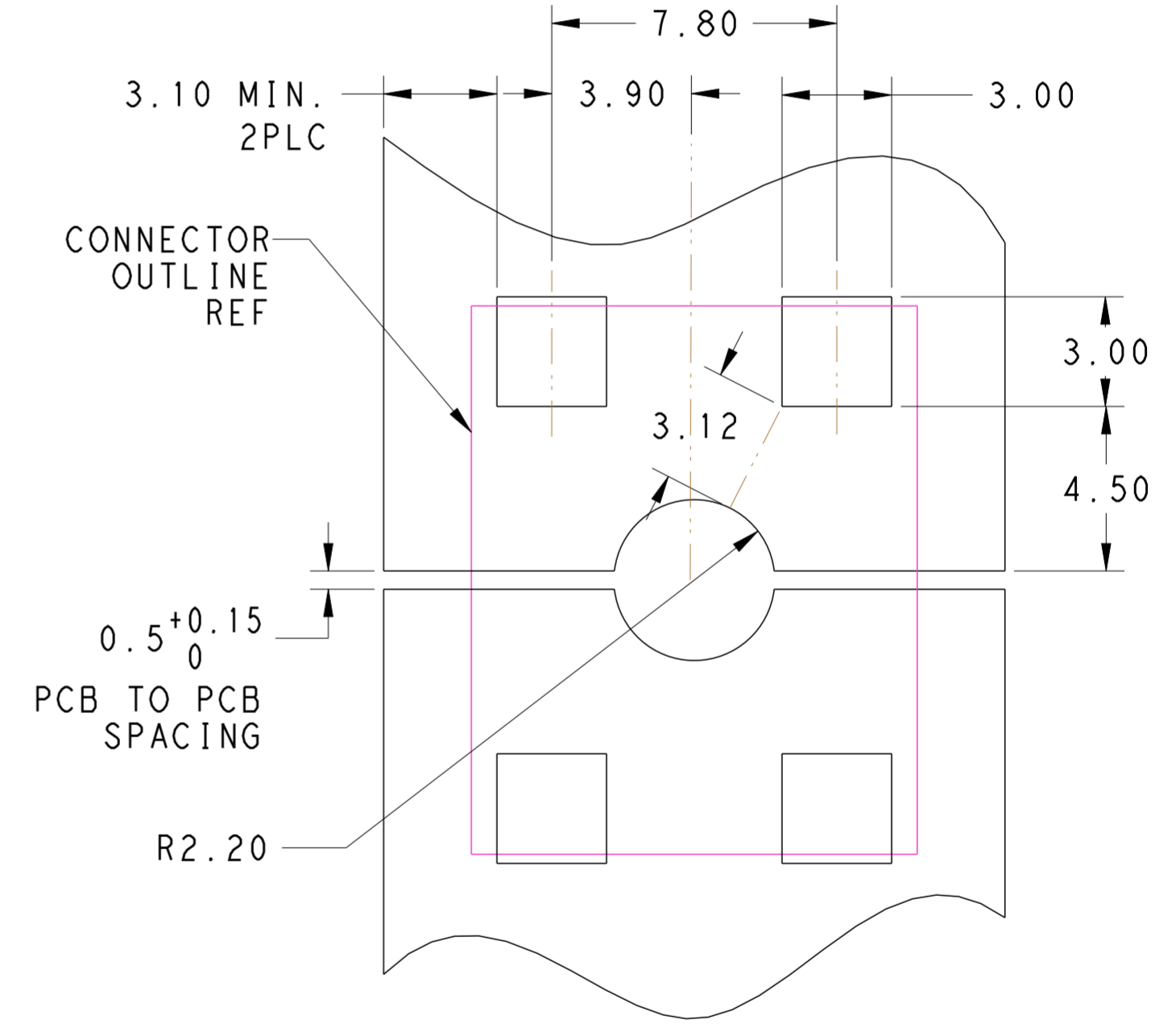
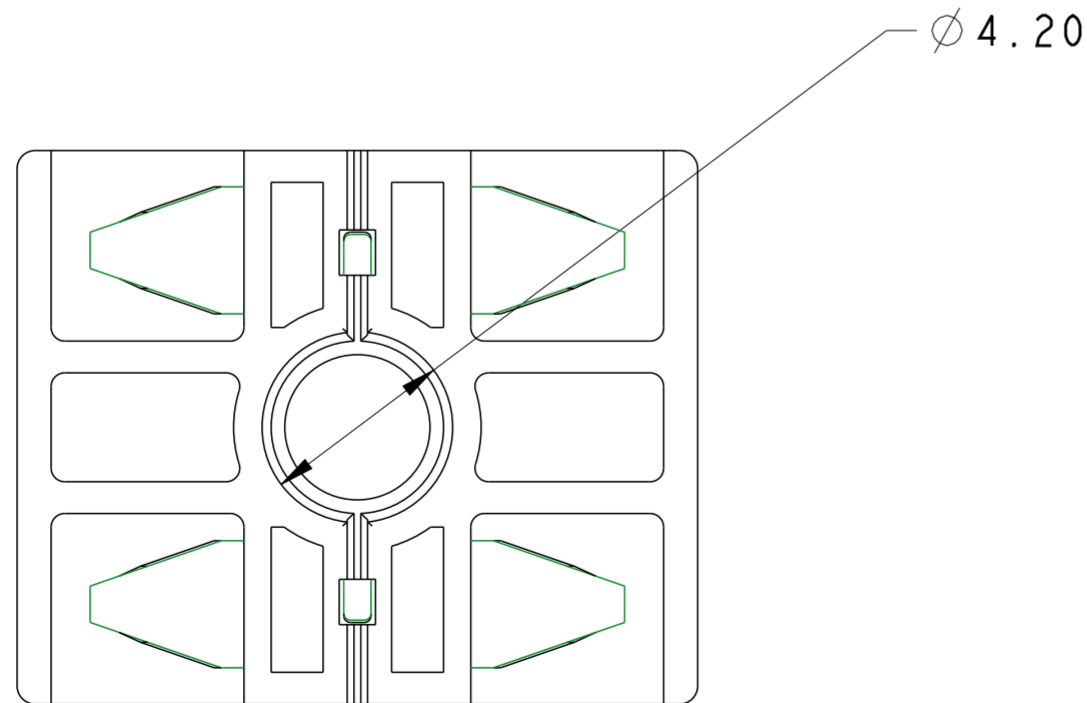
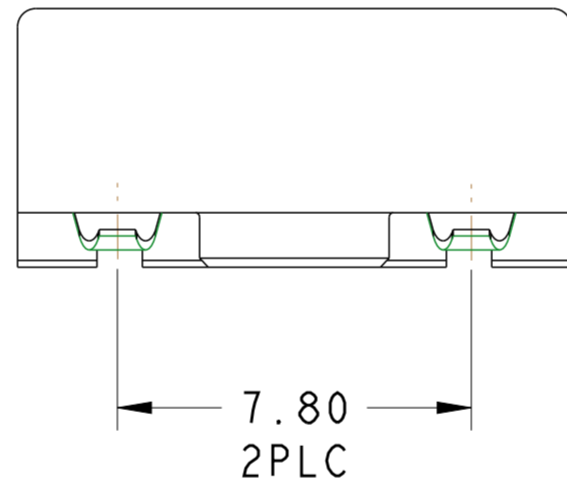
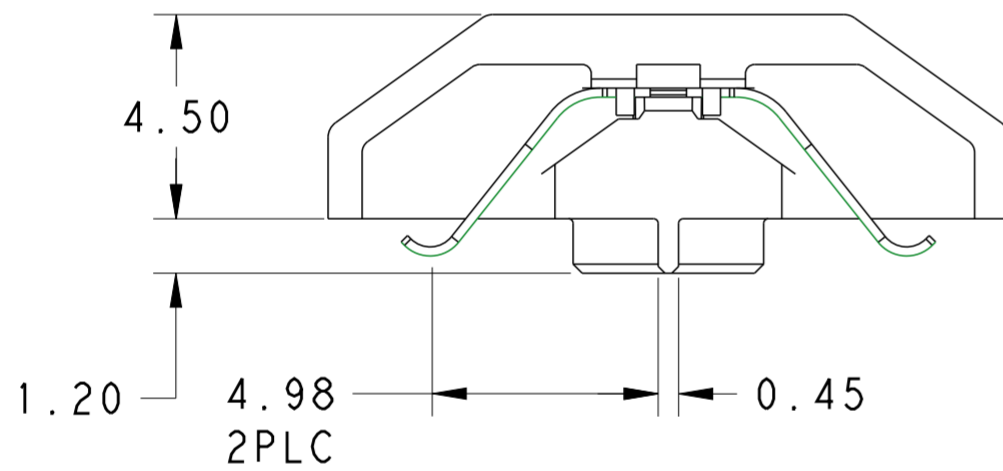
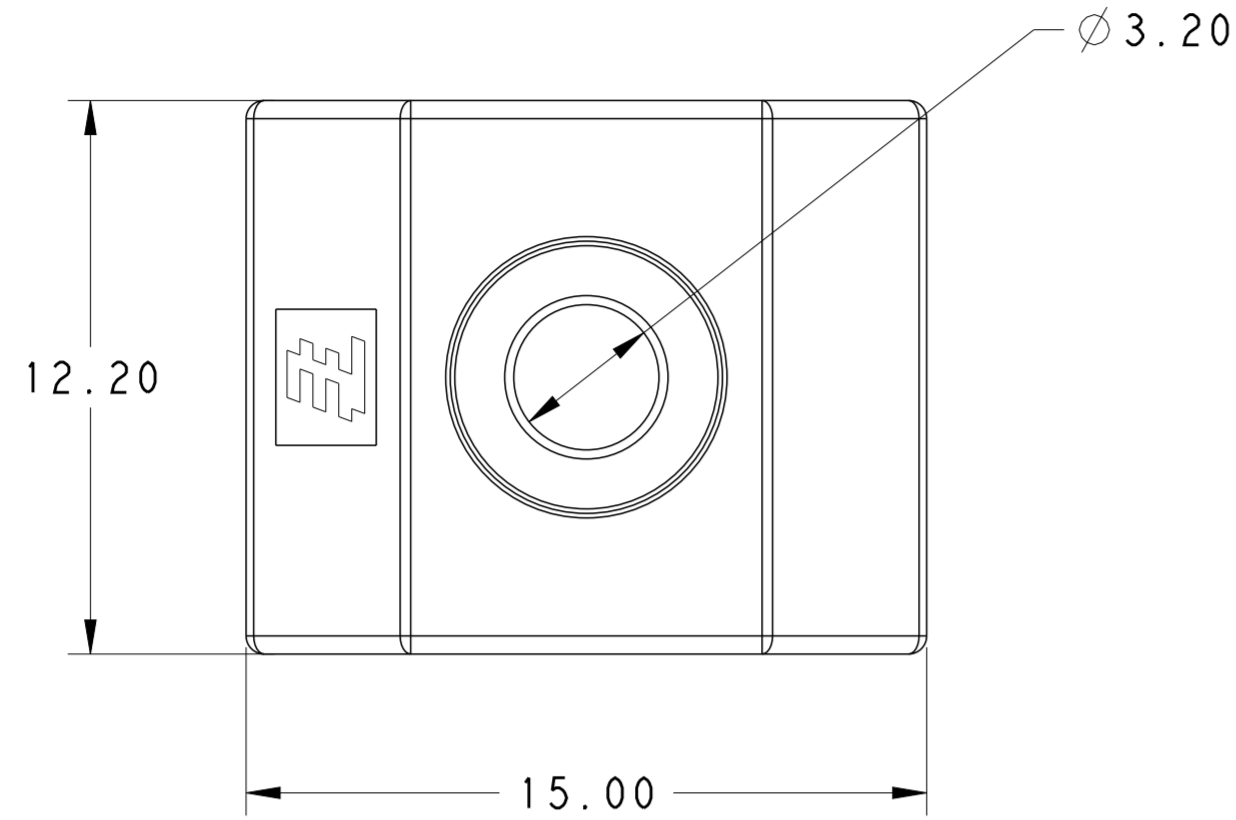


THIS DRAWING IS UNPUBLISHED. RELEASED FOR PUBLICATION 20  
 © COPYRIGHT 20 BY TYCO ELECTRONICS CORPORATION. ALL INTERNATIONAL RIGHTS RESERVED.

LOC		DIST		REVISIONS			
P	LTR	DESCRIPTION	DATE	DWN	APVD		
	A	RELEASED DRAWING	20DEC2010	K. J	X. X		

NOTES:

1. MATERIALS AND FINISH:  
 -HOUSING; THERMAL PLASTIC, COLOR: WHITE  
 -CONTACT: COPPER ALLOY, FINISH: TIN OVER NICKEL
2. MUST COMPLY WITH DIRECTIVE 2002/95/EC (ROHS)
3. RECOMMENDED SCREW SIZE: M3  
 MAX SCREW DOWN TORQUE: 0.63 N.m
4. SCREWS FROM FERROUS METALS (OTHER THAN STAINLESS STEEL)  
 SHOULD BE ZINC PLATED OR HAVE AN EQUIVALENT PROTECTIVE COATING
5. PACKAGING: SOFT TRAY



RECOMMENDED PCB LAYOUT  
 SCALE 6:1

PART NO	2134347-1
---------	-----------

<small>THIS DRAWING IS A CONTROLLED DOCUMENT FOR TYCO ELECTRONICS CORPORATION. IT IS SUBJECT TO CHANGE AND THE CONTROLLING ENGINEERING ORGANIZATION SHOULD BE CONTACTED FOR THE LATEST REVISION.</small>		DWN KEVIN JIANG 20DEC2010	Tyco Electronics Corporation Shanghai, China	
DIMENSIONS: mm		CHK TRACY TAO 20DEC2010	NAME	
		APVD XIANG XU 20DEC2010	-	
TOLERANCES UNLESS OTHERWISE SPECIFIED: 0 PLC ±- 1 PLC ±0.2 2 PLC ±0.13 3 PLC ±0.013 4 PLC ±0.0001 ANGLES ±- FINISH		PRODUCT SPEC	MINI SCREW DOWN JUMPER B-B CONNECTOR	
MATERIAL		APPLICATION SPEC	SIZE	RESTRICTED TO
-		WEIGHT	A200779	-
		CUSTOMER DRAWING	C-2134347	
		SCALE 3:1	SHEET 1 OF 1	REV A

# Mouser Electronics

Authorized Distributor

Click to View Pricing, Inventory, Delivery & Lifecycle Information:

[TE Connectivity:](#)

[2134347-1](#)