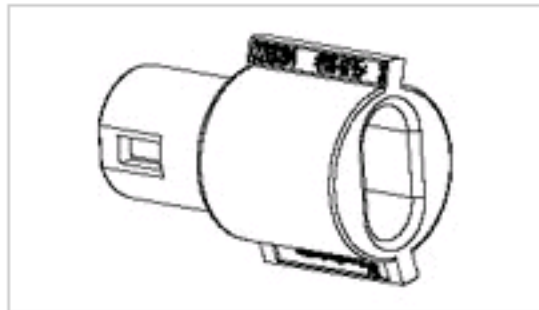


# 2213129-1 Product Details

[Share](#) | [Print](#) | [Email](#)


**Active**

[View 3D PDF](#)

## NECTOR S Line Connectors

CHASSIS MOUNT SUPPORT HSG for SPT-2

**2213129-1**

TE Internal Number: 2213129-1

**Product Highlights** [View All](#)

- Accessory
- Voltage = 250 VAC
- Accessory Type = Chassis Mount Housing Support
- Housing Color = White
- RoHS compliant, ELV compliant

[Pricing & Availability](#)

[Request Sample](#)

[Add to My Part List](#)

[Buy Product through Distributor](#)

Feedback

[Documents](#)

**[Features](#)**

[Compliance](#)

**Please Note:**

Use the Product Drawing for all design activity

Product Type Features	
Product Type	Accessory
Accessory Type	Chassis Mount Housing Support
Electrical Characteristics	
Voltage (VAC)	250
Housing Features	
Housing Color	White

Industry Standards	
RoHS/ELV Compliance	RoHS compliant, ELV compliant
Lead Free Solder Processes	Not reviewed for lead free solder process
RoHS/ELV Compliance History	Always was RoHS compliant
Other	
Brand	TE Connectivity

**Related Products**

Not quite the product you're looking for?

[Find Similar Products](#)

[View Part in Product Feature Selector](#)

[Check for Tooling](#)

**Corporate Information**

- [About TE](#)
- [Investors](#)
- [News Room](#)
- [Supplier Portal](#)
- [Careers](#)
- [Terms & Conditions](#)
- [Privacy Policy](#)
- [Global Accessibility Statement](#)

**Quick Links**

- [Distributor Inventory](#)
- [Product Cross Reference](#)
- [Documents & Drawings](#)
- [Product Compliance Support Center](#)
- [Site Map](#)

**Customer Support**

- [Email or Chat With Us](#)
- [Find a Phone Number](#)
- [Knowledge Base](#)
- [Manage Your Account](#)

**Keep Me Informed**

