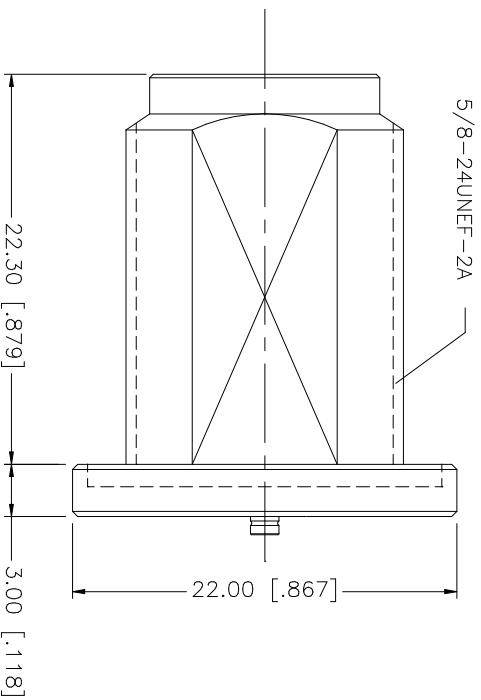
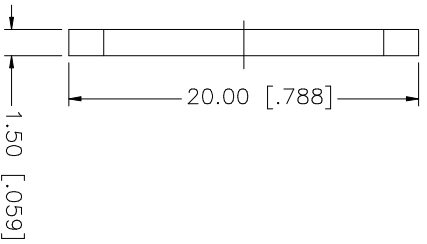
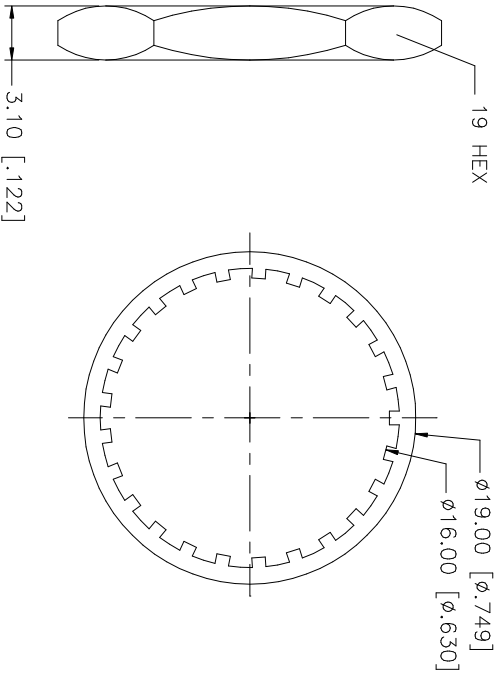
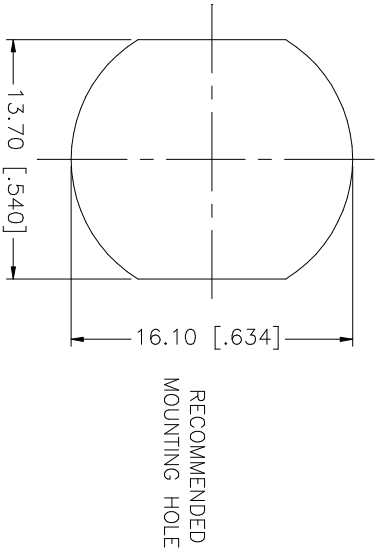


REV.	DATE	DESCRIPTION
NC	12/18/04	INITIAL RELEASE
A	04/05/06	ADD NOTE 1



NOTE:  
1. MAX. VSWR 1.4:1 UP TO 6ghz

QTY	DESCRIPTION	MATERIAL	FINISH	QTY	DO NOT SCALE DRAWING	APPROVALS	DATE	PART DESCRIPTION	DWG. NO.	REV.	SIZE	SCALE
1	HEX NUT	BRASS	NICKEL					<b>Amphenol Connex</b> AMC JACK TO N BULKHEAD JACK 242216	242216.DWG	A	A	NA
1	LOCK WASHER	BRASS	NICKEL									
1	GASKET	SILICONE	RED									
1	CONTACT PIN	BER. COPPER	GOLD									
1	INSULATOR BODY	TEFLON BRASS	NATURAL NICKEL									

UNLESS OTHERWISE SPECIFIED, DIMENSIONS ARE IN MILLIMETERS. DIMENSIONS IN INCHES ARE IN INCHES AND FOR CUSTOMER REFERENCE ONLY.

UNLESS OTHERWISE SPECIFIED, TOLERANCES FOR MILLIMETERS ARE:

0.5 - 8mm ± 0.20mm  
8 - 30mm ± 0.40mm  
30 - 120mm ± 0.50mm

UNLESS OTHERWISE SPECIFIED, TOLERANCES FOR INCHES ARE:

.020 - .315 = ± 0.007"  
.315 - 1.180 = ± 0.015"  
1.180 - 4.724 = ± 0.020"

APPROVALS	DATE
DRAWN G.R.S.	04/05/06
CHECKED	
ISSUED	
SHEET 1 OF 1	

CAD FILE	DWG. NO.	REV.	SIZE	SCALE
C:/242/242216.DWG	242216.DWG	A	A	NA