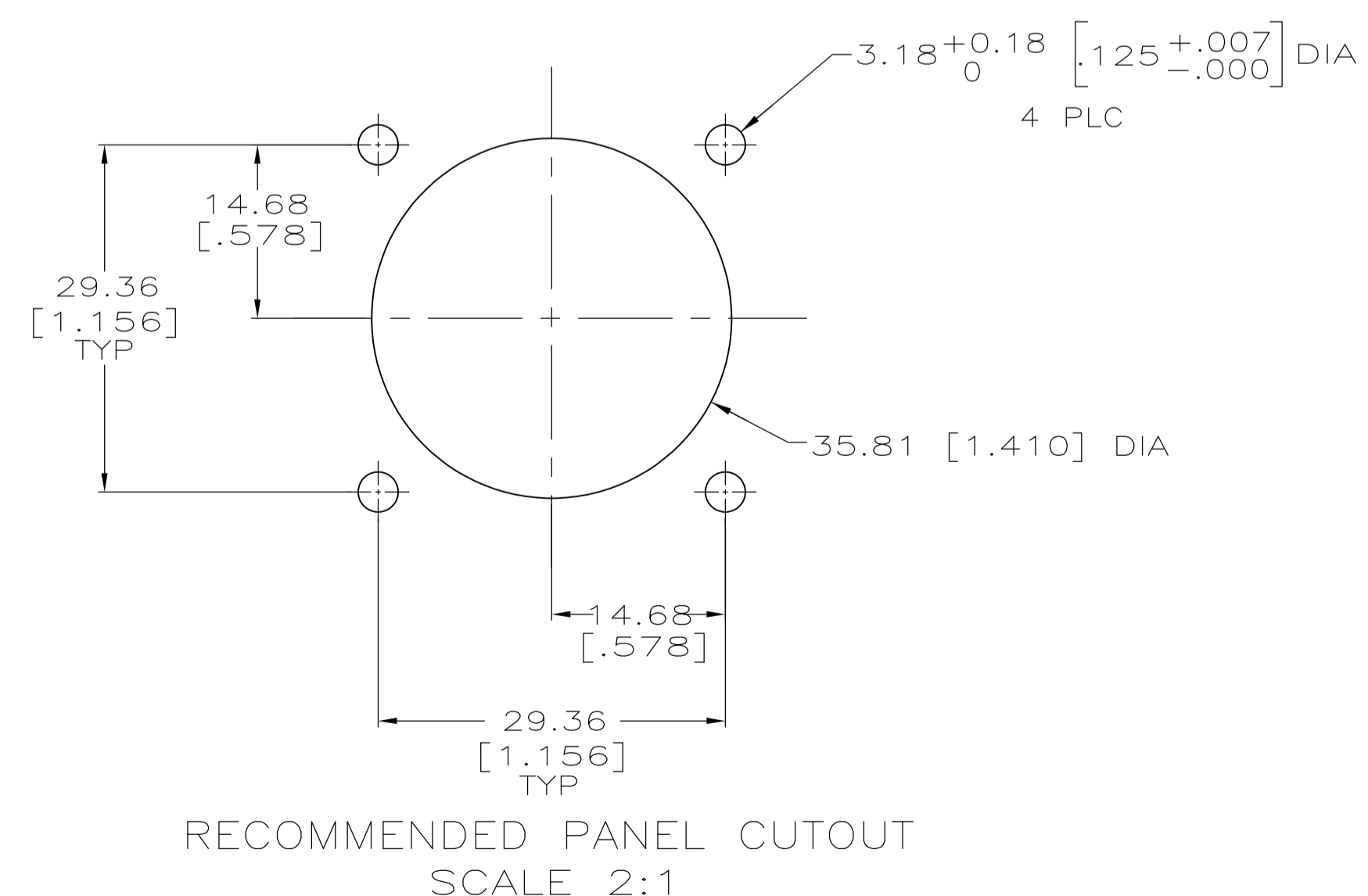
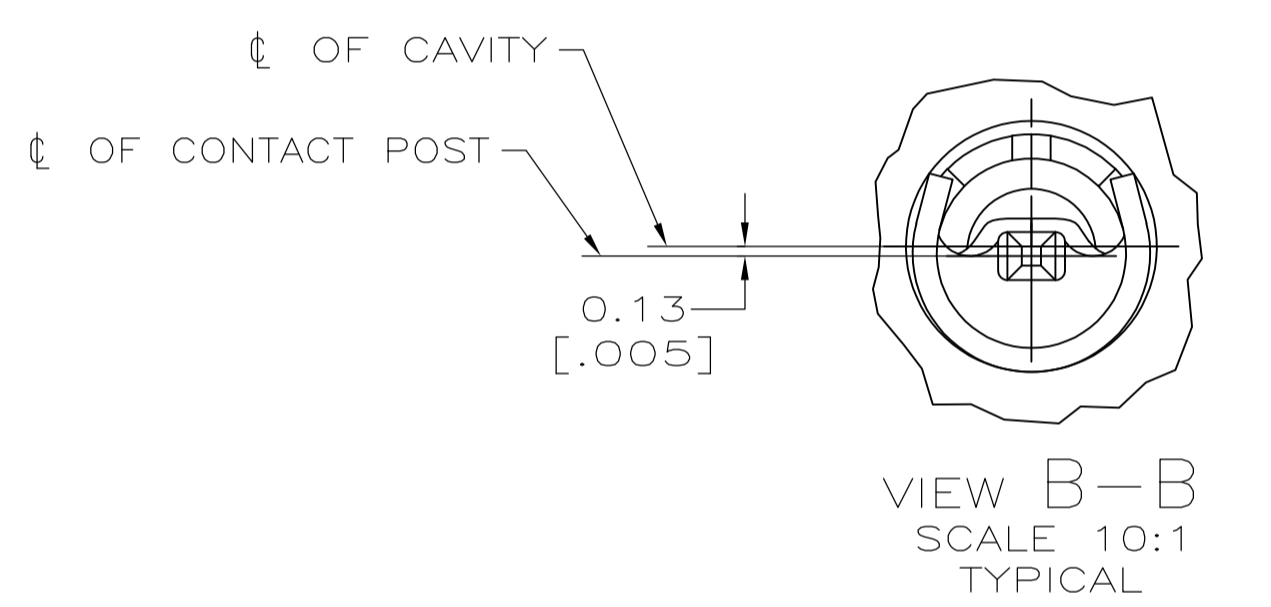
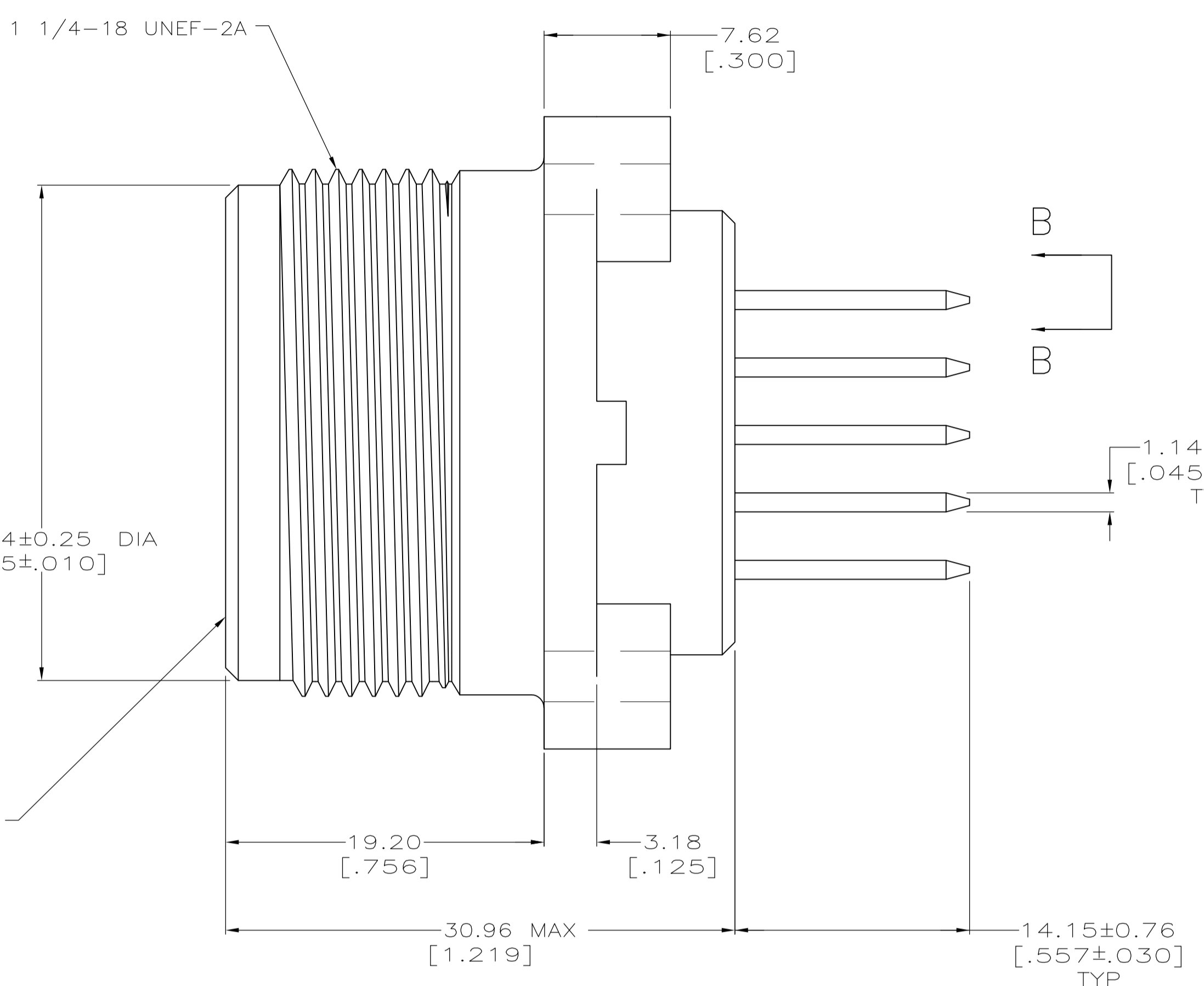
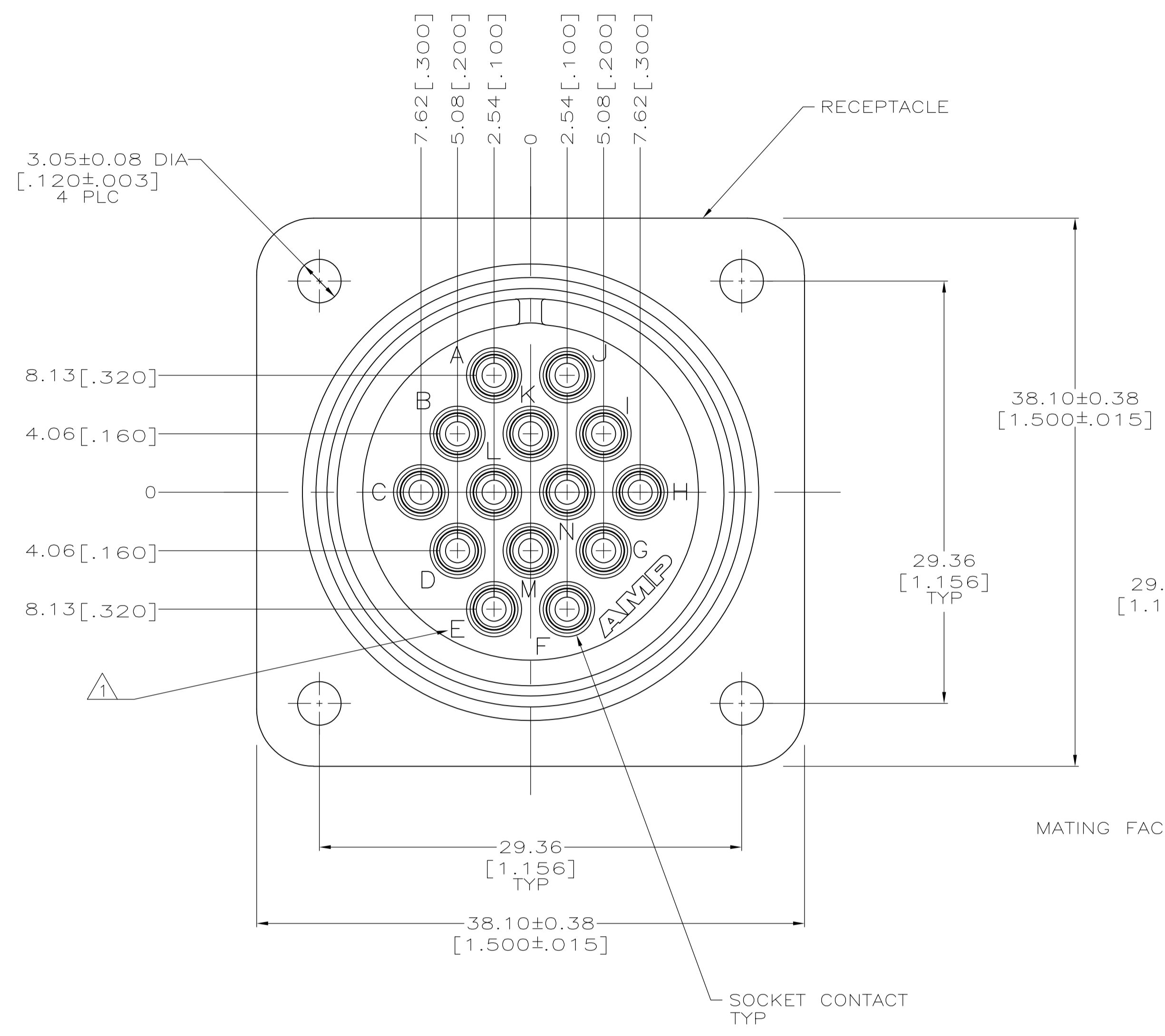


REVISIONS					
P	LTR	DESCRIPTION	DATE	DN	APVD
C3		REVISED PER ECO-16-004800	08SEP2016	NK	MZ



- △ CAVITY IDENTIFICATION CHARACTERS ON FRONT AND REAR FACE.
- △ RECEPTACLE: NYLON, UL 94V-0 RATED, BLACK. CONTACT AND POST: BRASS. SPRING: STAINLESS STEEL.
- △ SOCKET CONTACT AND POST: 2.54um [.000100] MIN TIN-LEAD OVER 1.27um [.000050] MIN NICKEL.
- △ SOCKET CONTACT AND POST: 2.54um [.000100] MIN TIN OVER 1.27um [.000050] MIN NICKEL.
- △ OBSOLETE PARTS: OBSOLETE CIS STREAMLINING PER D.RENAUD/D.SINISI

△ OBSOLETE	△	B, C, D, E, F, H, I, J, L, M, N	1-213928-4
△ OBSOLETE	△	A, B, C, D, E, F, G, H, K	-1-213928-3
△ OBSOLETE	△	A, B, C, D, E, K	1-213928-2
△ OBSOLETE	△	ALL	1-213928-1
△ OBSOLETE	△	B, C, D, E, F, H, I, J, L, M, N	-213928-4
△ OBSOLETE	△	A, B, C, D, E, F, G, H, K	-213928-3
△ OBSOLETE	△	A, B, C, D, E, K	-213928-2
△ OBSOLETE	△	ALL	-213928-1

FINISH		POSITIONS LOADED		PART NUMBER	
THIS DRAWING IS A CONTROLLED DOCUMENT.		DIN C. OBERMAN 31 OCT 95		STE TE Connectivity	
DIMENSIONS: mm [INCHES]		TOLERANCES UNLESS OTHERWISE SPECIFIED:		APVD R. STONE 1 NOV 95	
0 PLC ± -		1 PLC ± -		NAME R. BYERS 2 NOV 95	
2 PLC ± 0.13 [.005]		3 PLC ± -		PRODUCT SPEC	
4 PLC ± -		ANGLES ± -		APPLICATION SPEC	
MATERIAL		FINISH		SIZE CASE CODE DRAWING NO	
-		-		A1 00779 C=213928	
WEIGHT		RESTRICTED TO		CUSTOMER DRAWING	
-		-		SCALE 4:1 SHEET 1 OF 1 REV C3	

Mouser Electronics

Authorized Distributor

Click to View Pricing, Inventory, Delivery & Lifecycle Information:

[TE Connectivity:](#)

[213928-2](#)