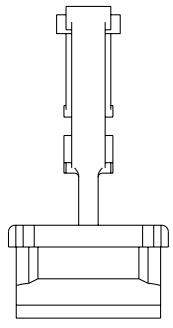
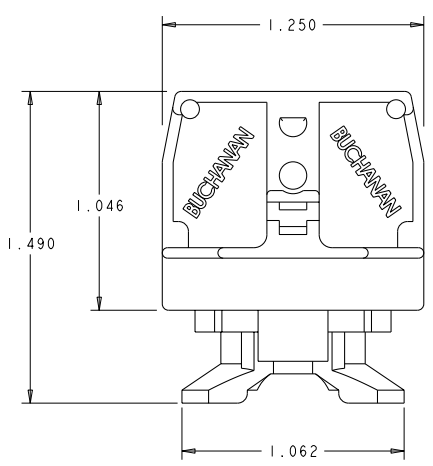
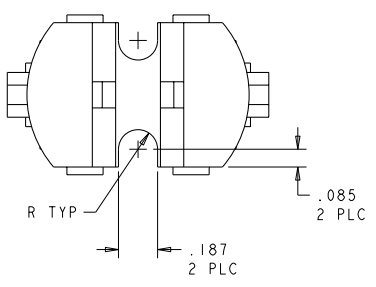


THIS DRAWING IS UNPUBLISHED. RELEASED FOR PUBLICATION BY TYCO ELECTRONICS CORPORATION. ALL RIGHTS RESERVED. COPYRIGHT 20

REV	DATE	BY	CHKD	APPROV
D	21JUN2010	HMR	CR	



△ POLYESTER, UL 94V-0 RATED, COLOR: GRAY.
 △ SEE RESTRICTED CUSTOMER DRAWING 3-1437394-8.



3-1437394-8	△
2-1437394-0	
PART NUMBER	

DIMENSIONS: INCHES 0 PLC ±.005 1 PLC ±.005 2 PLC ±.010 3 PLC ±.010 4 PLC ±.010 ANGLES ±.010		TO: WELDON 13JUN2002 S. YODER 13JUN2002 S. YODER 13JUN2002	Tyco Electronics Harrisburg, PA 17105-3608
MATERIAL: POLYESTER FINISH: -		PRODUCT SPEC: - APPLICATION SPEC: - WEIGHT: - CUSTOMER DRAWING	NAME: TERMINAL BLOCK, END SECTION MEDIUM DUTY, DOVETAIL BASE SIZE: A2 CASE CODE: 00779 DRAWING NO: 1437968 RESTRICTED TO: -
AMP 1471-B REV 3/04/2000 Pro/ENGINEER DRAWING		SCALE: 3:1 SHEET: 1 OF 1 REV: D	