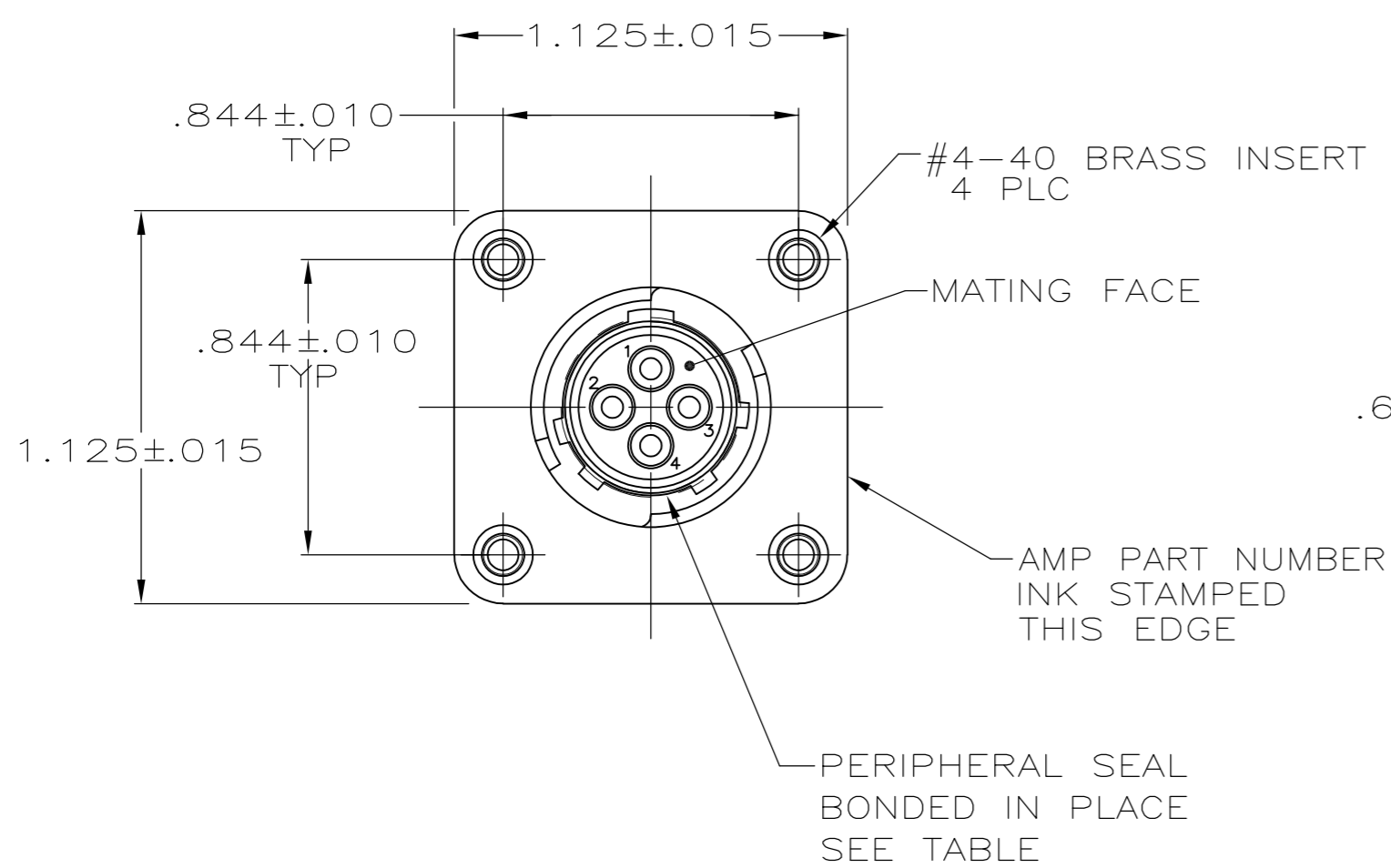


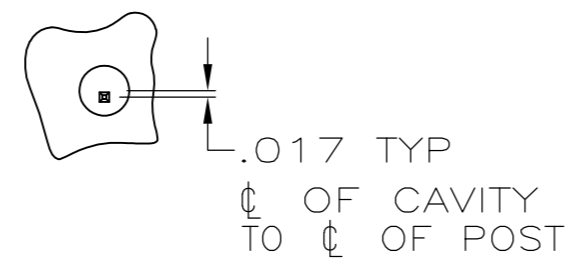
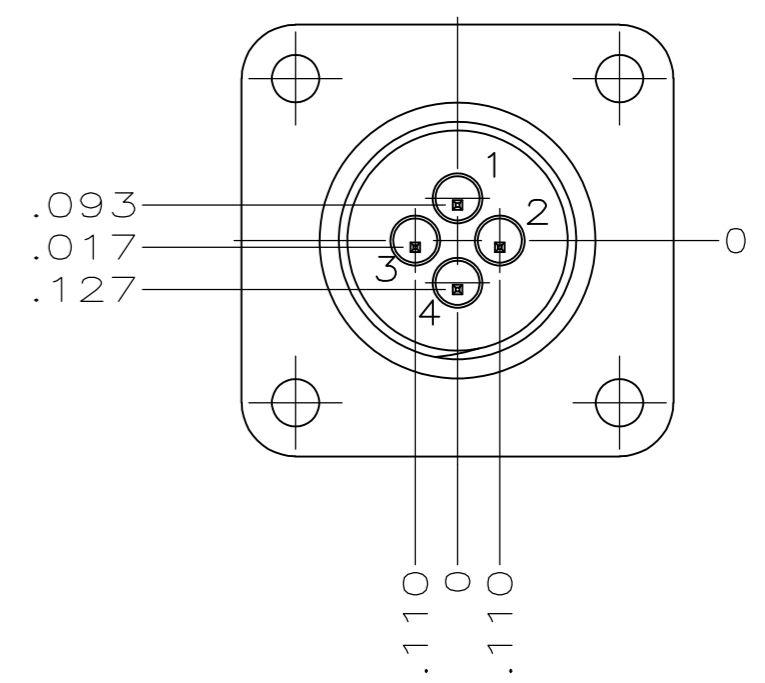
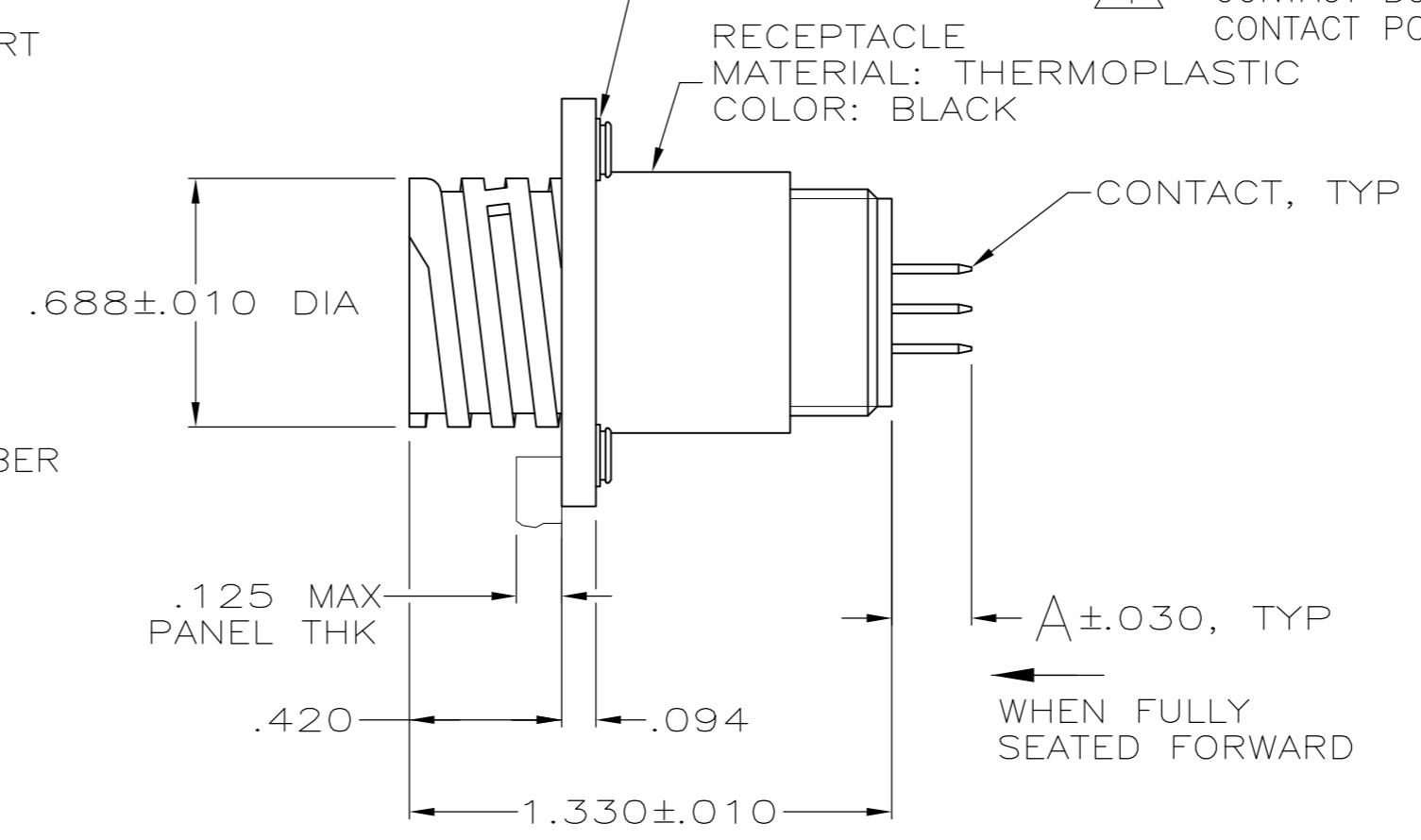
THIS DRAWING IS UNPUBLISHED. RELEASED FOR PUBLICATION
 © COPYRIGHT - By - ALL RIGHTS RESERVED.

LOC		DIST		REVISIONS			
P	LTR	DESCRIPTION		DATE	DWN	APVD	
FT	0	R3	REVISED PER ECO-11-004917		11MAR11	RK	HMR

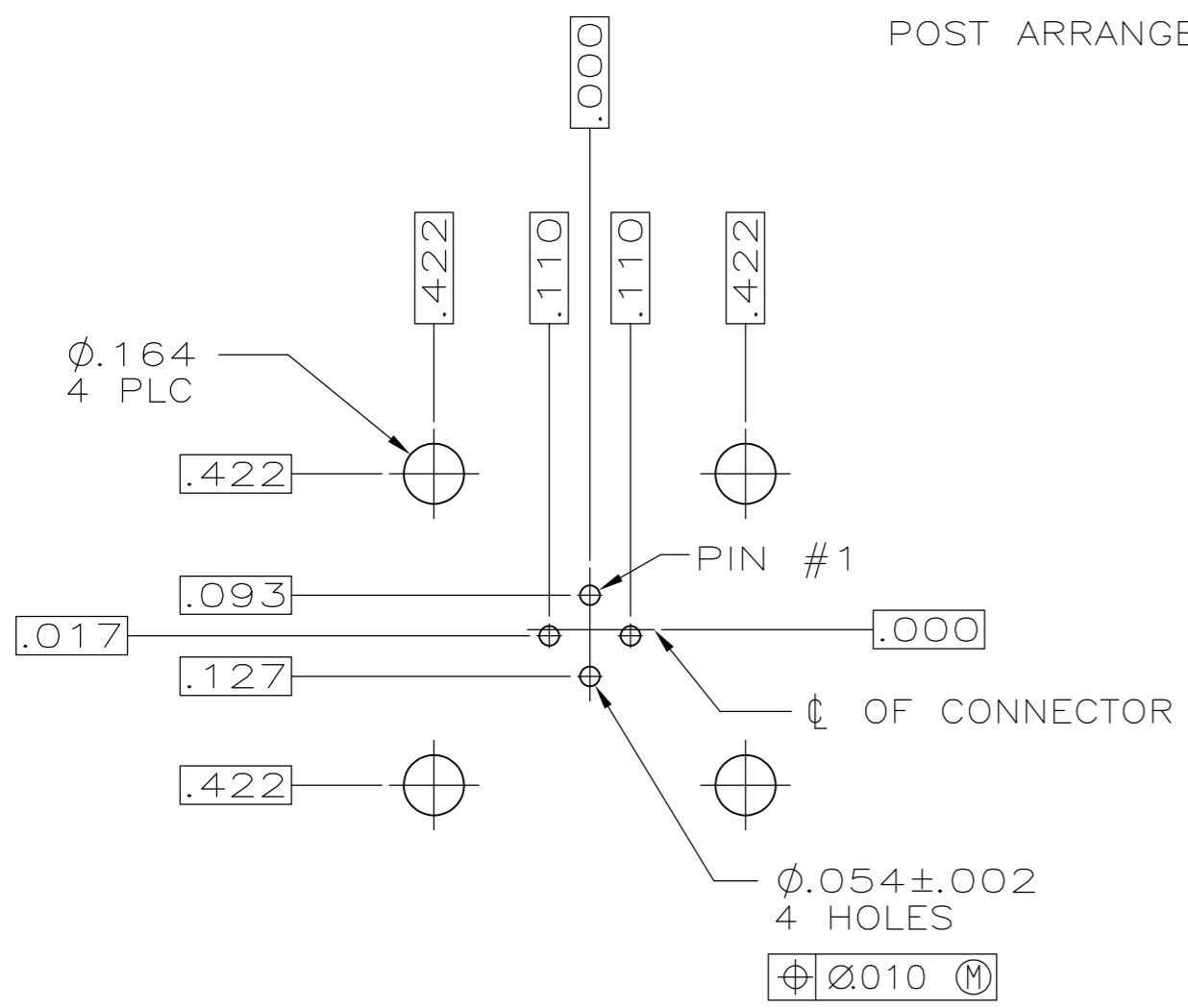
- 1 RECEPTACLE IS LOADED WITH 4 TYPE III+ POSTED PIN CONTACTS.
- 2 CONTACT BODY: GOLD PER MIL-G-45204 OVER NICKEL PER QQ-N-290. CONTACT POST: TIN-LEAD PER MIL-T-10727 OVER COPPER PER MIL-C-14550A.
- 3 CONTACT BODY: GOLD PER MIL-G-45204 OVER NICKEL PER QQ-N-290. CONTACT POST: TIN OVER COPPER PER MIL-C-14550A.
- 4 CONTACT BODY: TIN OVER NICKEL PER MIL-C-14550A. CONTACT POST: TIN OVER NICKEL PER MIL-C-14550A.



#4-40 THD INSERT
 MATERIAL: BRASS
 SEE TABLE



POST ARRANGEMENT ON REAR FACE



RECOMMENDED P.C. BOARD LAYOUT

3	.220	YES	NO	1-207825-5	
4	.429	YES	YES	1-207825-4	
3	.119	NO	NO	1-207825-2	
4	.618	NO	YES	1-207825-1	
3	.119	YES	YES	1-207825-0	
3	.119	NO	YES	207825-9	
2	.220	YES	NO	207825-8	
2	.429	YES	YES	207825-7	
2	.119	NO	NO	207825-6	
2	.119	NO	NO	207825-5	
2	.618	NO	YES	207825-4	
2	.119	YES	YES	207825-3	
2	.220	NO	YES	207825-2	
2	.119	NO	YES	207825-1	
CONTACT FINISH		A	PERIPHERAL SEAL	THREADED INSERTS	PART NUMBER

THIS DRAWING IS A CONTROLLED DOCUMENT.

DWN	R.LEE BG	7-1-91
CHK	W.G.LENKER	4-14-92
APVD	-	-
NAME	RECEPTACLE ASSEMBLY, POSTED, STD SEX, SERIES 1, 11-4, CPC	
PRODUCT SPEC	108-10024	
APPLICATION SPEC	-	
WEIGHT	-	A2 00779 C=207825
CUSTOMER DRAWING	SCALE 2:1	SHEET 1 of 1

TE Connectivity

RESTRICTED TO

SCALE 2:1 SHEET 1 of 1 REV R3

Mouser Electronics

Authorized Distributor

Click to View Pricing, Inventory, Delivery & Lifecycle Information:

[TE Connectivity:](#)

[207825-7](#)