

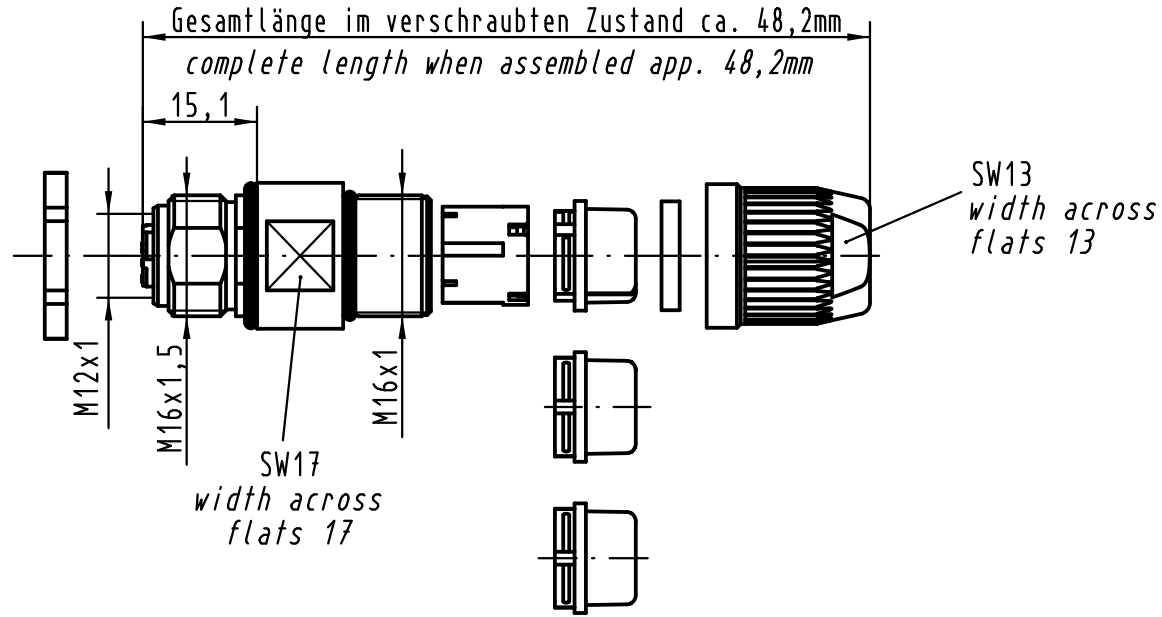
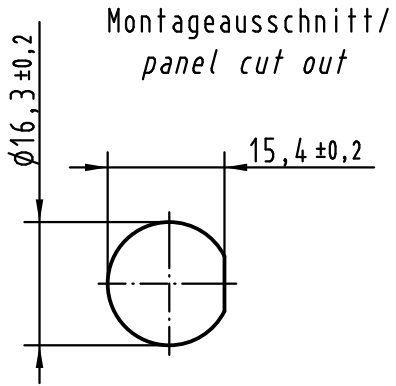
1 2 3 4 5 6

A

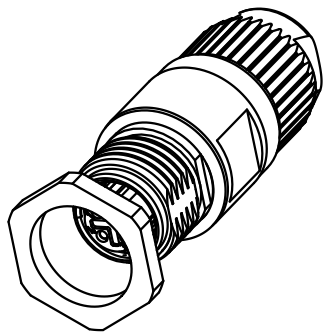
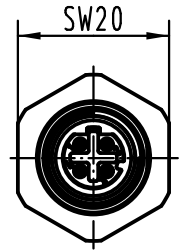
B

C

D



Steckgesicht n.  
Contact face acc.  
IEC 61076-2-101



Kabel $\varnothing$ / cable $\varnothing$			Leiterquerschnitt conductor cross section
5,5-7,2mm	4,5-5,4mm	7,0-8,8mm	
Dichtung / sealing			0,14 - 0,34mm <sup>2</sup> AWG26-AWG22
schwarz/black	transparent	beige	

All Dimensions in mm Original Size DIN A 4			Techn. Character.			Nicht tolerierte Maßel Free size tolerances		
				Dat.	Name	Maßstab/Scale 1:1	<b>M12 IDC</b> WDF geschirmt, Buchse, 4polig, D-kodiert Panel feed through shielded, female, 4poles, D-coded	
			Detail.	29.08.07	Ho			
EC02795	28.01.11	DY	Insp.		SUN			
EC01462	25.02.10	DY	Stand.					
414316	17.02.09	DY	HARTING Electronics GmbH & Co. KG				<b>TB 21 03 381 2425</b>	
413163			D-32339 ESPELKAMP					
Mod.	Dat.	Name				Sub.		Blatt/ page

# Mouser Electronics

Authorized Distributor

Click to View Pricing, Inventory, Delivery & Lifecycle Information:

[HARTING:](#)

[21033812425](#)