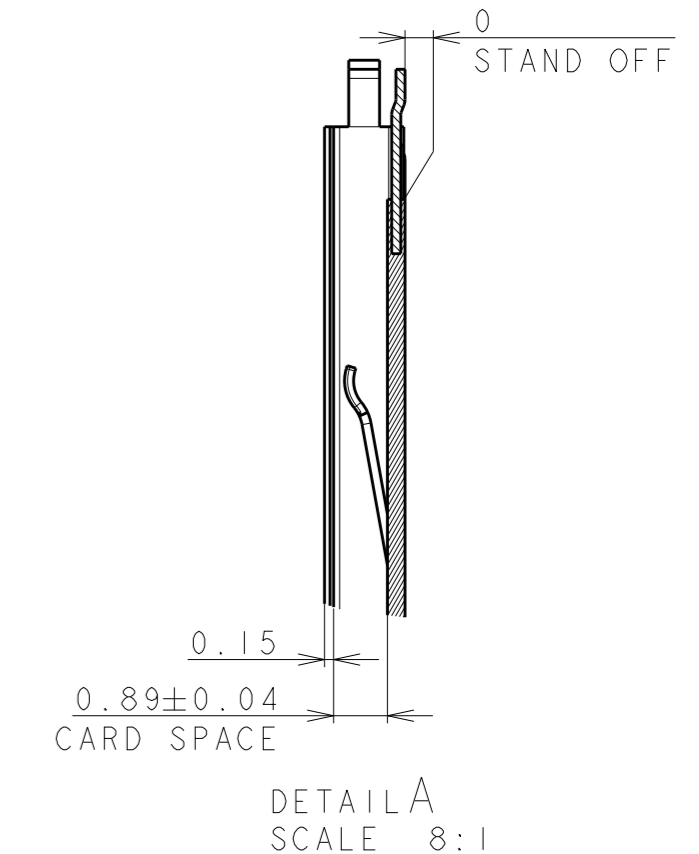
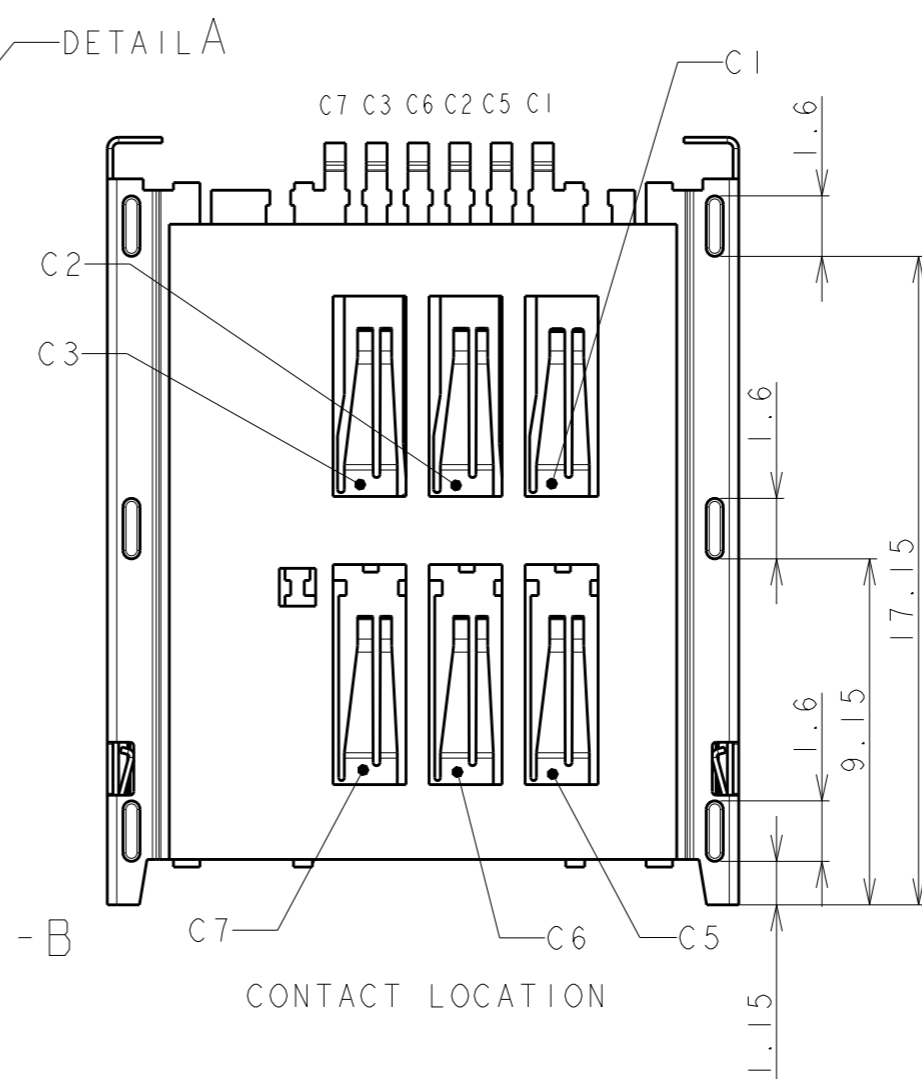
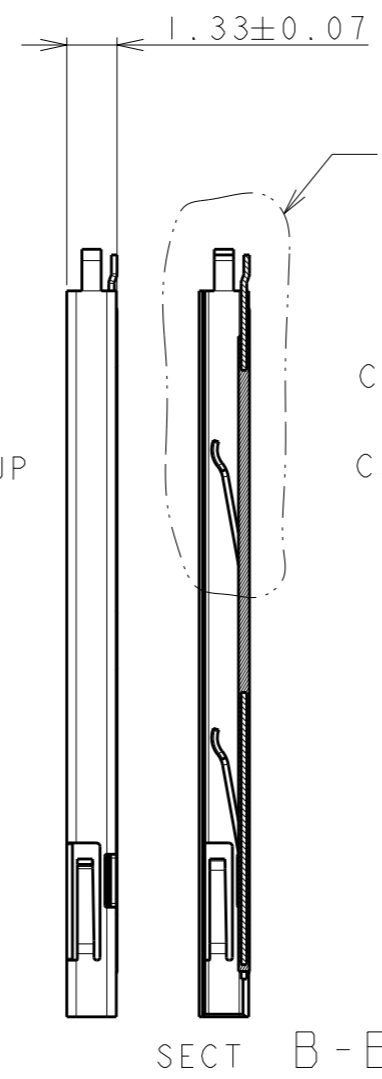
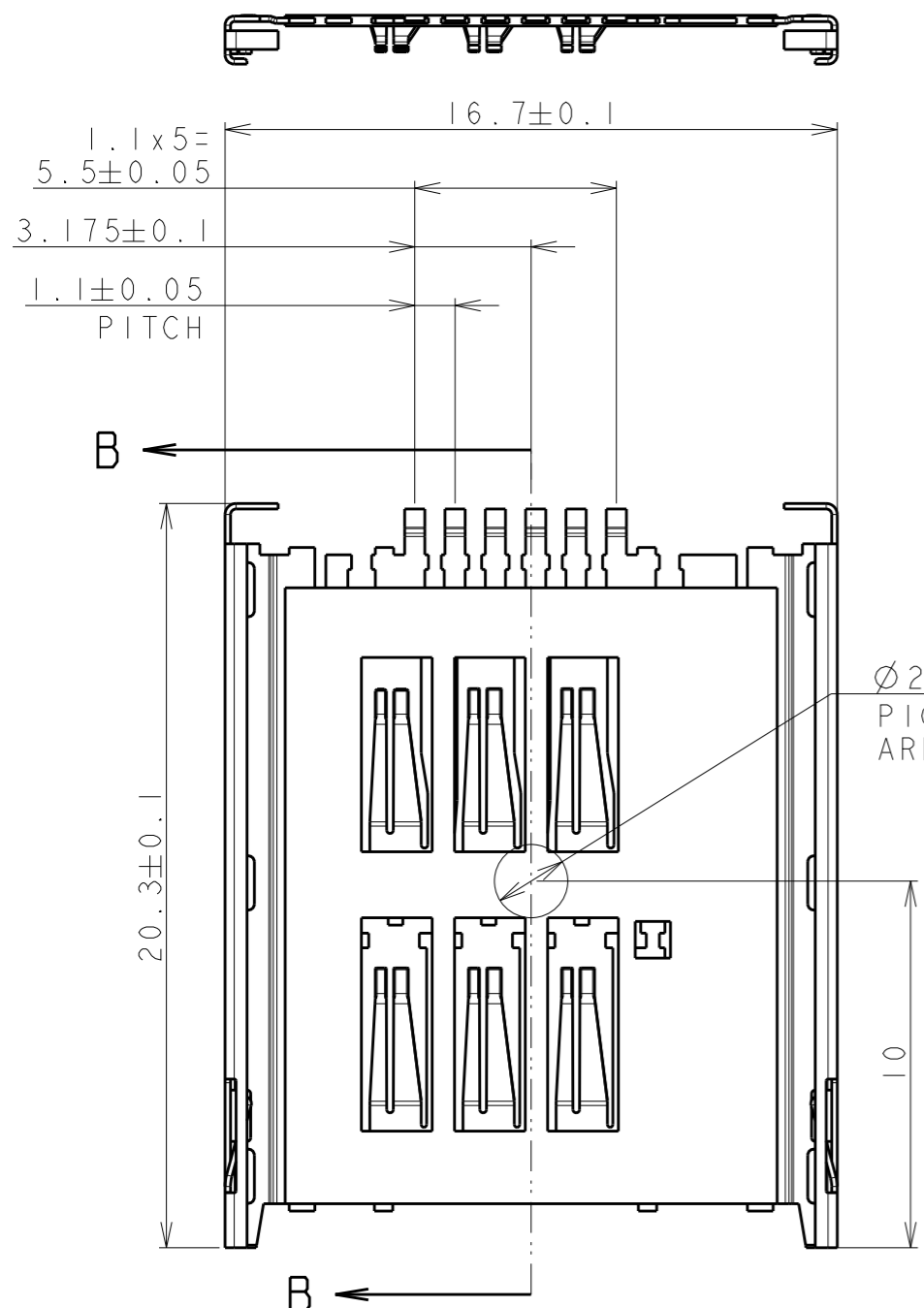


本図面に記載された内容はタイコ エレクトロニクス アンプ(株)の所有する情報を開示してあります。無断で複写・配布する事を禁じます。特許出願中

REVISIONS

P	LTR	DESCRIPTION	DATE	DWN	APVD
	B	REVISED	14OCT2015	M.T	K.K

AS SHOWN : - 1




△ MATERIAL  
 ELEMENT : COPPER ALLOY  
 TRAY, GUIDE : STAINLESS  
 HOUSING : HIGH TEMPERATURE THERMO PLASTIC  
 UL94V-0 BLACK

△ FINISH  
 ELEMENT : CONTACT POINT; 0.4umMIN. Au  
 SOLDERING TINE SURFACE Au FLASH PLATE,  
 ALL OVER NICKEL PLATE 0.13umMIN.  
 ADD SEALING

3 COPLANARITY; 0.08MAX.

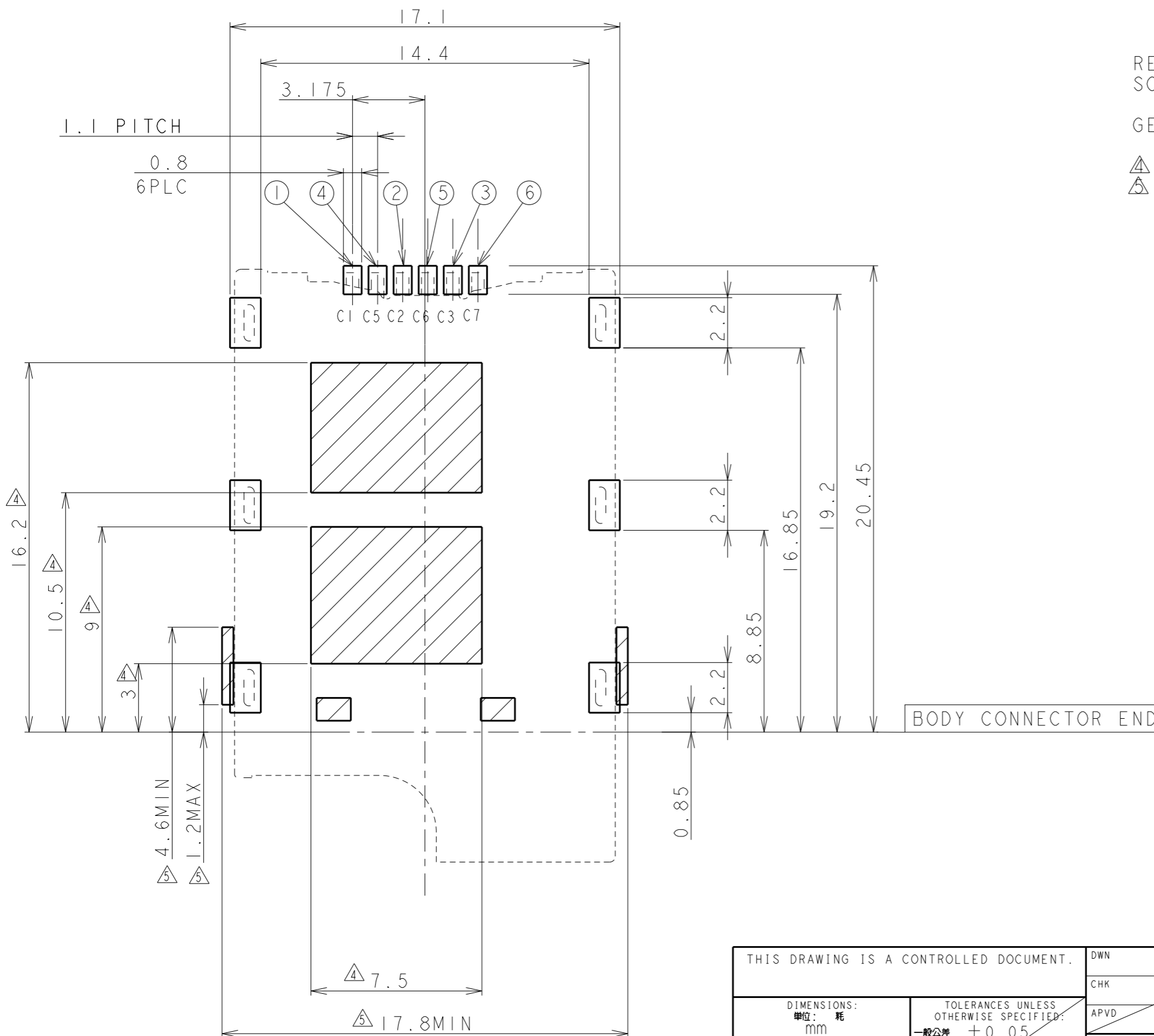
CAUTION; THERE IS A POSSIBILITY THAT NORMAL FORCE CHANGES ACCORDING TO THE PCB MATERIAL AND THICKNESS, ETC. PLEASE HANDLE IT WITH CARE.  
 当コネクタを実装する基板材質・厚さ等によって接圧変動する可能性がありますので、取り扱いに充分な注意をお願い致します。

THIS DRAWING IS A CONTROLLED DOCUMENT.		DWN 17JUN2010 C.OHASHI		 TE Connectivity	
DIMENSIONS: 単位: ㎜		CHK 17JUN2010 Y.NAKAZAWA			
TOLERANCES UNLESS OTHERWISE SPECIFIED: 一般公差 ±0.15		APVD 17JUN2010 Y.NAKAZAWA		TS14-RVS DOUBLE CONTACT BODY ASSY	
0 PLC ±		PRODUCT SPEC		SIZE	
1 PLC ±		108-78668		CAGE CODE	
2 PLC ±		APPLICATION SPEC		DRAWING NO	
3 PLC ±		取付適用規格		番号	
4 PLC ±		WEIGHT		RESTRICTED TO	
ANGLES ±3°		0.37g		A300779	
MATERIAL 材料		SEE NOTE △		C=2134034	
FINISH 仕上		SEE NOTE △		SCALE 尺度	
		Customer Drawing		5:1	
				SHEET 1 OF 4	
				REV B	

THIS DRAWING IS UNPUBLISHED. RELEASED FOR PUBLICATION 20  
 © COPYRIGHT 20 BY TYCO ELECTRONICS CORPORATION. ALL RIGHTS RESERVED.

REVISIONS  
変更

P	LTR	DESCRIPTION	DATE	DWN	APVD



REFERENCE PCB LAYOUT  
 SCALE 5:1

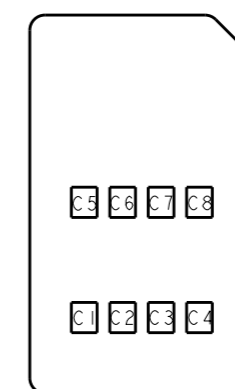
GENERAL TOLERANCE; ±0.05

△ HATCHING AREA; FORBIDDEN AREA OF PATTERN  
 △ NO PARTS LOCATED IN THIS AREA

CONNECTOR PIN ASSIGNMENT

NO.	PIN NAME	DESCRIPTION
①	C1	Vcc OF SIM
②	C2	RST OF SIM
③	C3	CLK OF SIM
④	C5	GND OF SIM
⑤	C6	Vpp OF SIM
⑥	C7	I/O OF SIM

SIM CARD PIN ASSIGNMENT



PIN NO.	NAME
C1	Vcc
C2	RST
C3	CLK
C4	RESERVED
C5	GND
C6	Vpp
C7	I/O
C8	RESERVED

SCALE 2:1

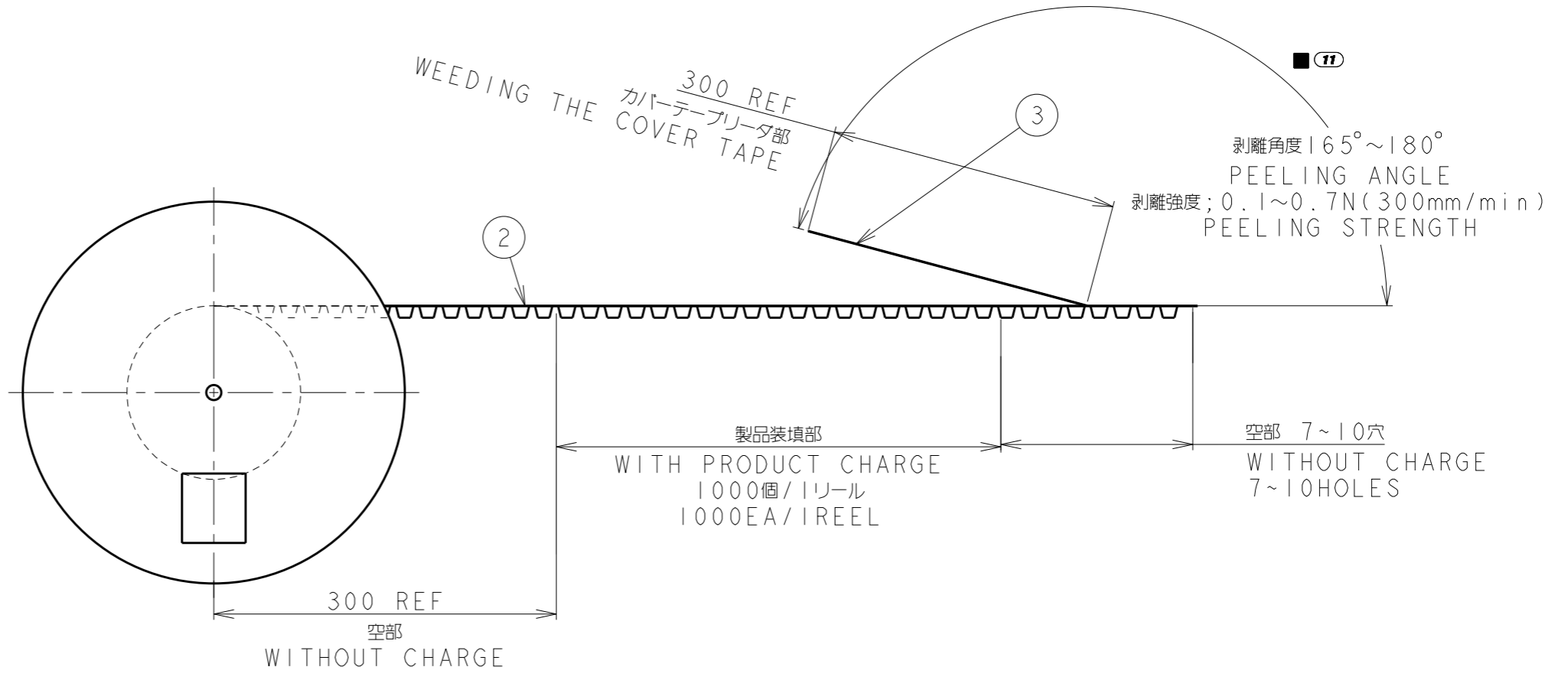
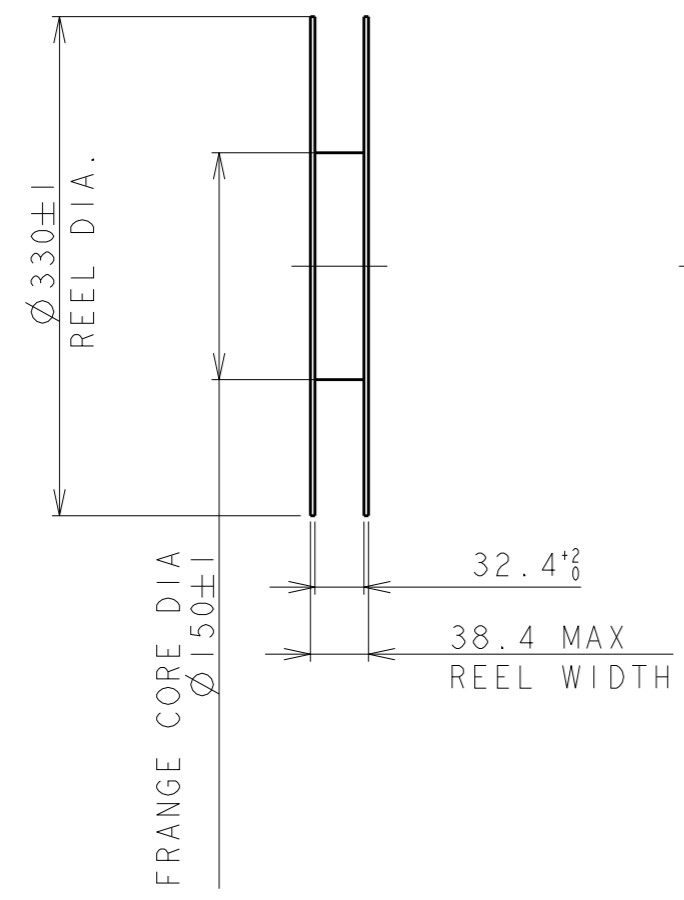
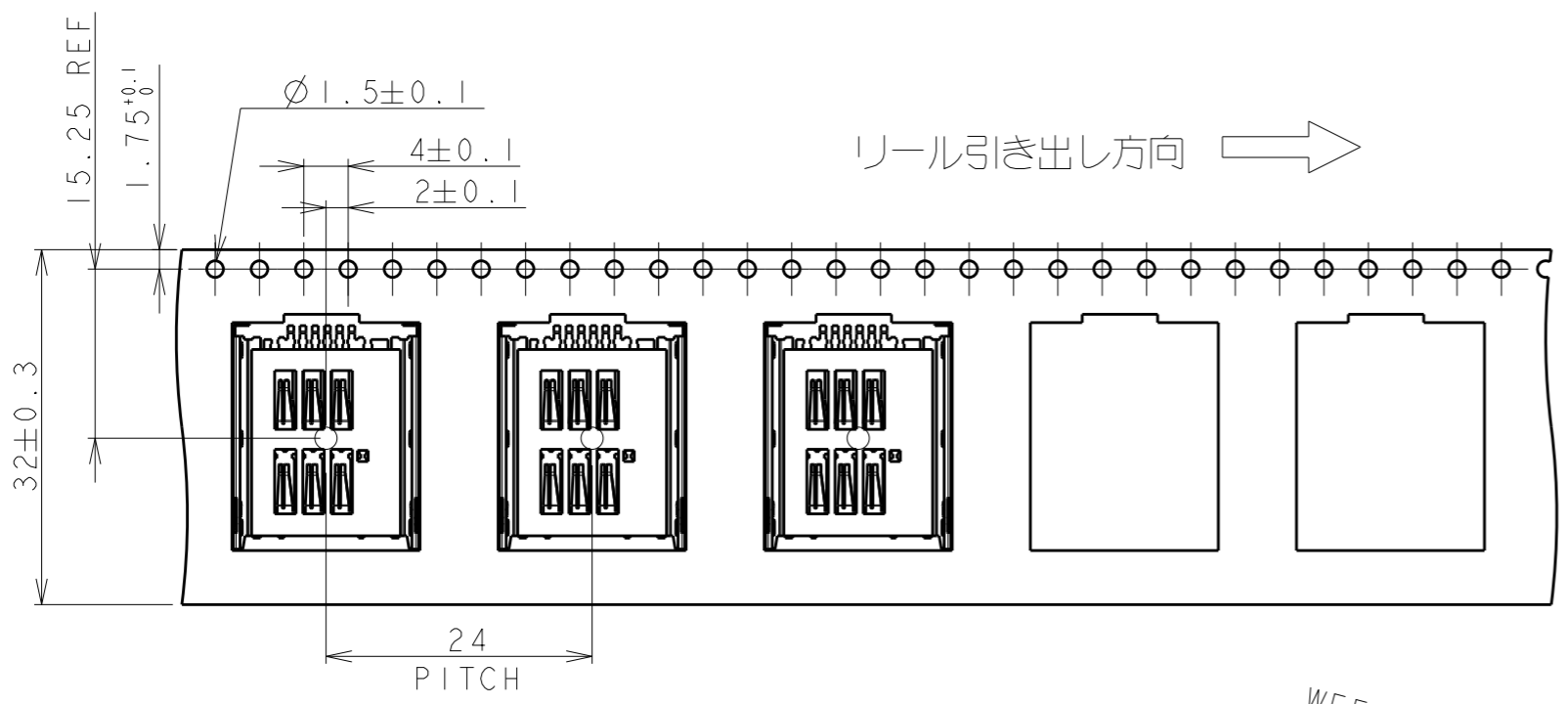
SIM CARD PAD LAYOUT

本図面に記載された内容はタイコ エレクトロニクス アンプ(株)の所有する情報を開示しております。  
 無断で複写・配布する事を禁じます。 特許出願中

THIS DRAWING IS A CONTROLLED DOCUMENT.		DWN	TE Connectivity	
DIMENSIONS: 単位: 耗 mm		CHK		
TOLERANCES UNLESS OTHERWISE SPECIFIED: 一般公差 ±0.05		APVD	NAME 名称	
0 PLC ±		PRODUCT SPEC 製品規格	TS14-RVS DOUBLE CONTACT BODY ASSY	
1 PLC ±		APPLICATION SPEC 取付適用規格	SIZE	RESTRICTED TO
2 PLC ±		WEIGHT	A300779	C=2134034
3 PLC ±		Customer Drawing	CAGE CODE	
4 PLC ±		SCALE 尺度	DRAWING NO 番号	SHEET
ANGLES ±		5:1	2 OF 4	REV
FINISH 仕上		Customer Drawing	SCALE 尺度	B

THIS DRAWING IS UNPUBLISHED. RELEASED FOR PUBLICATION 20  
 © COPYRIGHT 20 BY TYCO ELECTRONICS CORPORATION. ALL RIGHTS RESERVED.

REVISIONS				
P	LTR	DESCRIPTION	DATE	APVD



AS SHOWN : - 1

THIS DRAWING IS A CONTROLLED DOCUMENT.		DWN	<b>STE</b> TE Connectivity	
DIMENSIONS: □□: □ mm		CHK		
TOLERANCES UNLESS OTHERWISE SPECIFIED: □□□□ ± 0.15		APVD	NAME □□	
0 PLC ±		PRODUCT SPEC	TS14-RVS DOUBLE CONTACT BODY ASSY	
1 PLC ±		APPLICATION SPEC	SIZE	RESTRICTED TO
2 PLC ±		WEIGHT	A300779	C=2134034
3 PLC ±		Customer Drawing		
4 PLC ±		SCALE	SHEET	REV
ANGLES ±		□□ NTS	3 OF 4	B
FINISH □□		1470-19 (3/13)		

THIS DRAWING IS UNPUBLISHED.

RELEASED FOR PUBLICATION

20

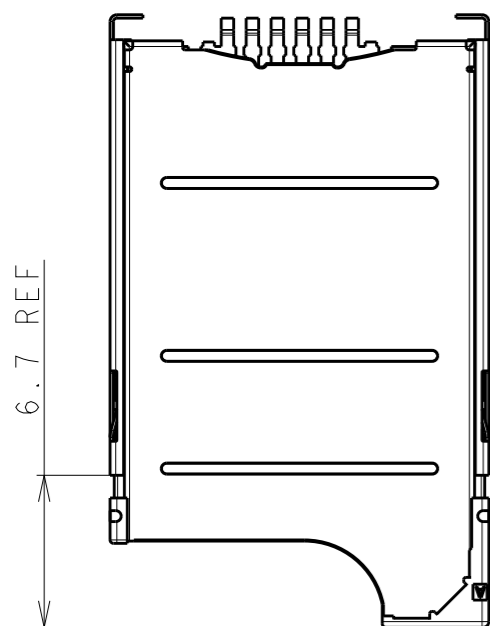
© COPYRIGHT 20 BY TYCO ELECTRONICS CORPORATION. ALL RIGHTS RESERVED.

REVISIONS

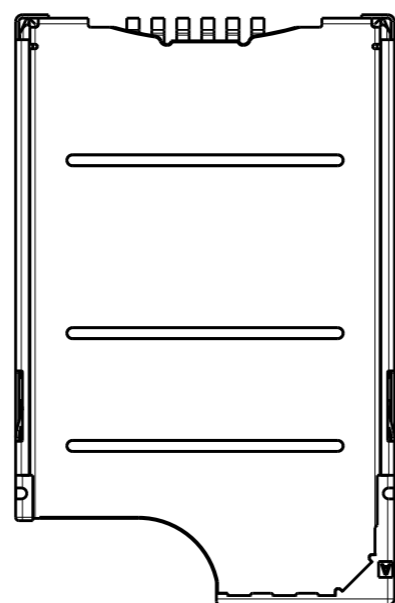
変更

P	LTR	DESCRIPTION	DATE	DWN	APVD

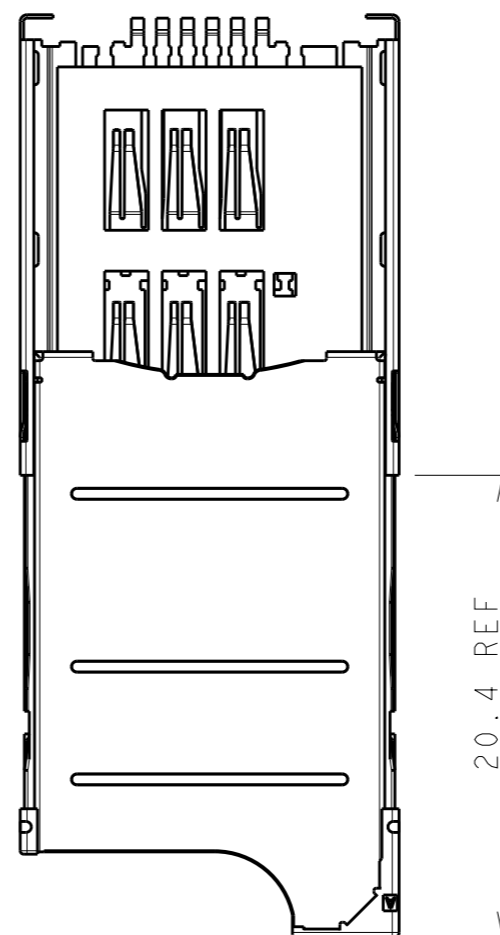
本図面に記載された内容はタイコ エレクトロニクス アンプ(株)の所有する情報を開示しております。  
 無断で複写・配布する事を禁じます。 特許出願中



POSITION IN WHICH CONTACT  
 DEVIATE FROM SIM PAD  
 コンタクトがSIMカードPADを外れる位置

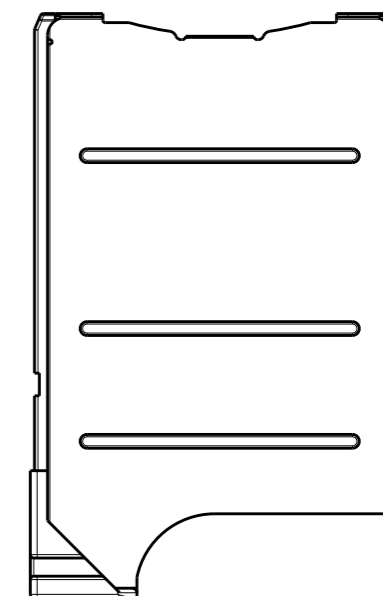


NOMINAL POSITION  
 通常使用時



TRAY EJECT POSITION  
 TARY引き出し位置

METAL TRAY  
 P/N; 2134033-1



PAI CORT AREA  
 PAIコート材範囲

THIS DRAWING IS A CONTROLLED DOCUMENT.		DWN	<b>STE</b> TE Connectivity	
DIMENSIONS: 単位: 耗 mm		CHK		
TOLERANCES UNLESS OTHERWISE SPECIFIED: 一般公差 ±0.15		APVD	NAME 名称	
0 PLC ±		PRODUCT SPEC 製品規格	TS14-RVS DOUBLE CONTACT BODY ASSY	
1 PLC ±		APPLICATION SPEC 取付適用規格	SIZE	RESTRICTED TO
2 PLC ±		WEIGHT	A300779	C=2134034
3 PLC ±		Customer Drawing	CAGE CODE	
4 PLC ±		SCALE 尺度	DRAWING NO 番号	REV
ANGLES ±		SCALE 3:1	SHEET 4 OF 4	B
FINISH 仕上		SHEET 4 OF 4		

# Mouser Electronics

Authorized Distributor

Click to View Pricing, Inventory, Delivery & Lifecycle Information:

[TE Connectivity:](#)

[2134034-1](#)