


PSD-S CE-SM SCREW

Order No.: 2700093



<http://eshop.phoenixcontact.de/phoenix/treeViewClick.do?UID=2700093>

Connection element with screw connection terminal blocks for base mounting

Commercial data	
GTIN (EAN)	 4 046356 490986
sales group	K465
Pack	1 pcs.
Customs tariff	85318095
Catalog page information	Page 316 (AX-2011)

Product notes

WEEE/RoHS-compliant since:
02/02/2009



<http://www.download.phoenixcontact.com>
Please note that the data given here has been taken from the online catalog. For comprehensive information and data, please refer to the user documentation. The General Terms and Conditions of Use apply to Internet downloads.

Technical data	
General data	
Diameter	69 mm
Height	27 mm
Material	PA-GF
Color	black
Weight	83 g

Ambient temperature (operation)	-20 °C ... 50 °C
Degree of protection	IP65, when installed
Mounting position	Any
Assembly instructions	Rubber seal pre-installed for each element
Number of mountable signal elements	max. 5
Scope of delivery	End cover and seal

Electrical data

Nominal input voltage range	12 V AC/DC ... 240 V AC/DC
-----------------------------	----------------------------

Connection data

Connection method	Screw connection
Conductor cross section solid min.	0.75 mm ²
Conductor cross section solid max.	2.5 mm ²
Conductor cross section stranded min.	0.75 mm ²
Conductor cross section stranded max.	2.5 mm ²
Conductor cross section AWG/kcmil min.	18
Conductor cross section AWG/kcmil max	14

Approvals / conformities

Electromagnetic compatibility	Conformance with EMC directive 2004/108/EC and for low-voltage directive 2006/95/EC
-------------------------------	---

Certificates / Approvals



Certification CUL Listed, UL Listed

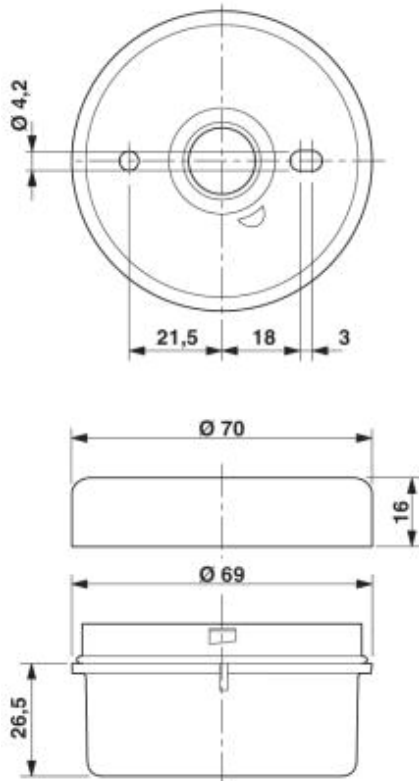
Accessories

Item	Designation	Description
General		
2700144	PSD-S ME BR-SM	Angle for floor mounting, black
2700160	PSD-S ME BR-SM/1S	Angle for single-sided floor mounting, concealed cable routing, black

2700161	PSD-S ME BR-SM/2S	Angle for two-sided floor mounting, concealed cable routing, black
2700153	PSD-S ME OB	Outlet box with lateral cable entry for floor and base mounting

Diagrams/Drawings

Dimensioned drawing



Address

PHOENIX CONTACT Inc., USA
586 Fulling Mill Road
Middletown, PA 17057, USA
Phone (800) 888-7388
Fax (717) 944-1625
<http://www.phoenixcon.com>



© 2011 Phoenix Contact
Technical modifications reserved;