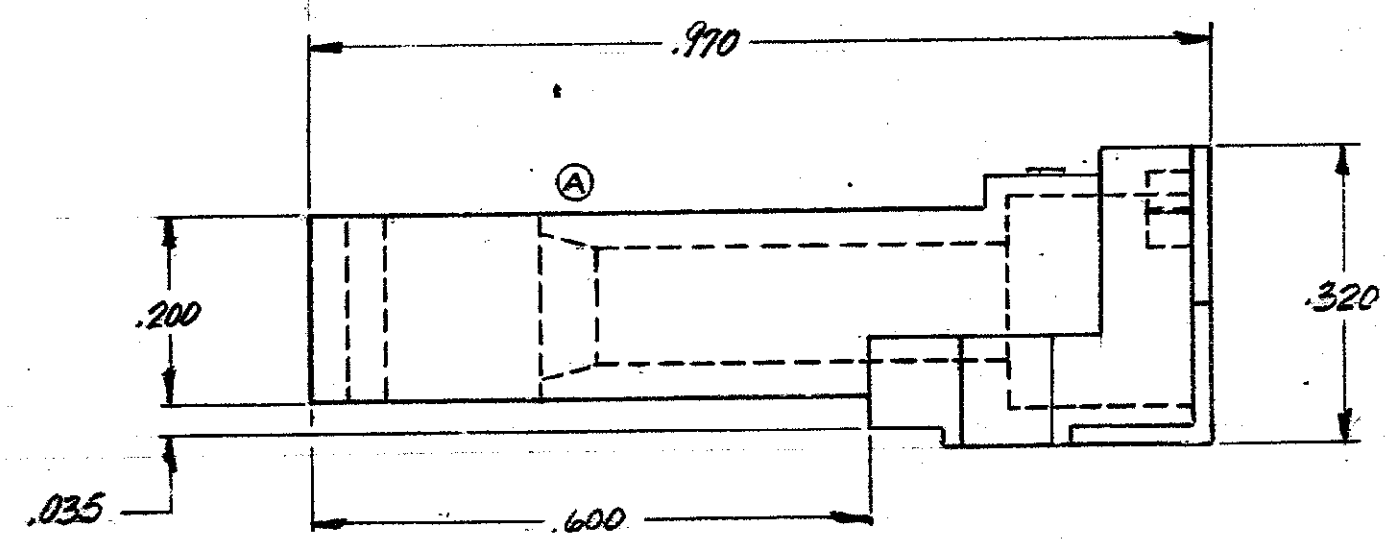
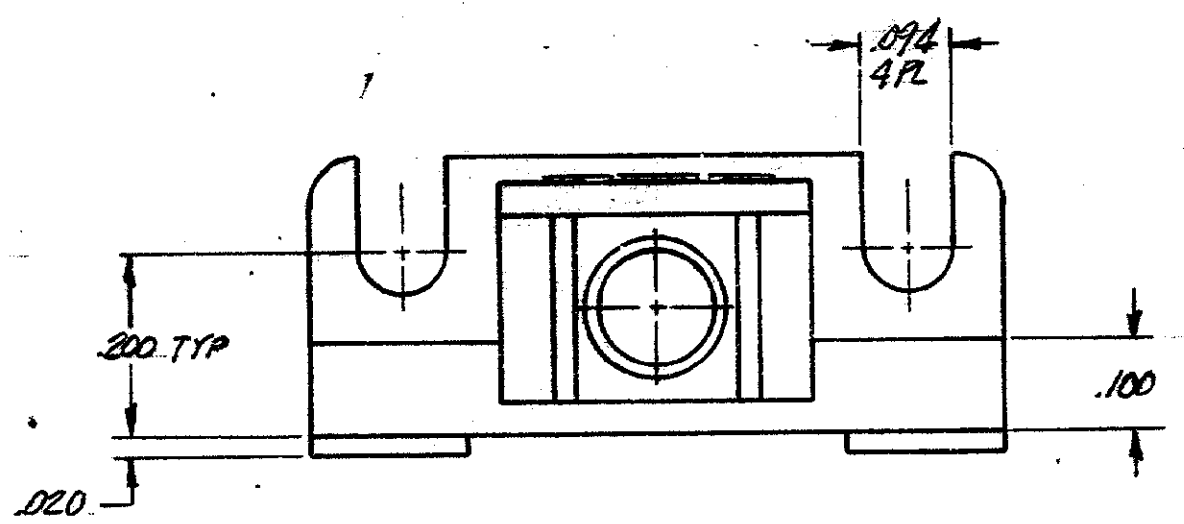
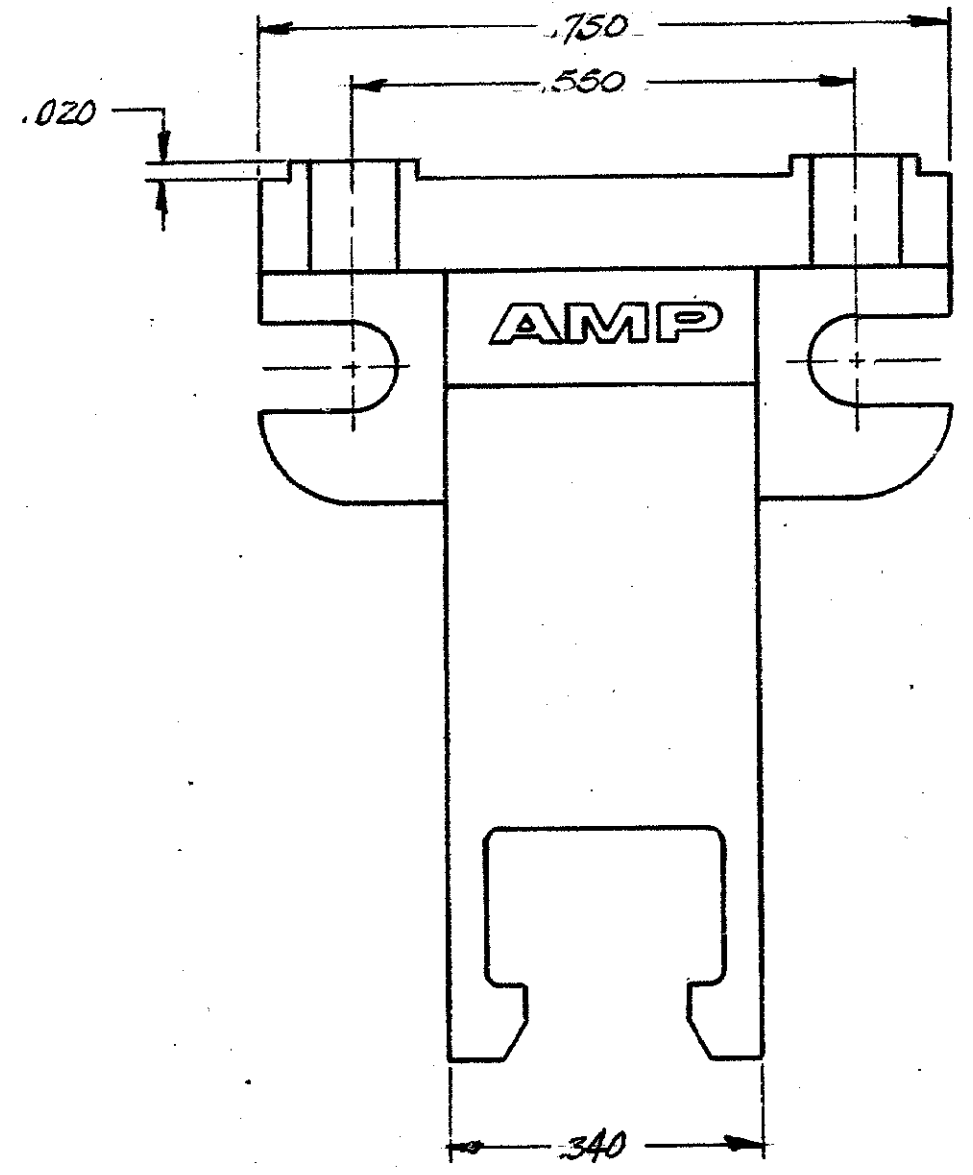



DRAWING MADE IN AMERICAN PROJECTION

© 1951 BY AMP INCORPORATED. ALL RIGHTS RESERVED. AMP PRODUCTS COVERED BY PATENTS AND/OR PATENTS PENDING.

REVISIONS				
ZONE	LTR	DESCRIPTION	DATE	APPROVED
0		RELEASED NPS 81-2515	3/30/81	JBL
A		REVISED CONFIGURATION OF I.D. C81-231	4/2/81	JBL
B		REV. PER ECN C83-261	3/23/83	P.K. 9008



UNLESS OTHERWISE SPECIFIED, DIMENSIONS ARE IN INCHES TOLERANCES ON: DECIMALS ±.010 ANGLES ±	CONTRACT NO.	 AMP INCORPORATED HARRISBURG, PENNSYLVANIA		
	DR <i>J. Bluff</i> 3/30/81			NAME MOUNT, ACTIVE DEVICE
MATERIAL NYLON, COLOR: BLACK	CHK R. MELTON 3/31/81	OPTIMATE DNP		
	APPD Bernie Cason 3/31/81	TO-18 TYPE		
	REL Michael Sand 4-1-81	SIZE C	CODE IDENT NO. 00779	NUMBER 228043-1
	DSGN APPD	SCALE 1/16"	SHEET 1 of 1	
OTHER APPD				

- [Home](#)
- [Part Number Search](#)
- [Text Search](#)
- [Alternate Part Search](#)
- [Multiple Part Comparison](#)
- [Alphabetical Search](#)
- [Brand Search](#)
- [Industry Product Search](#)
- [Product Type Search](#)
- [Product Family Search](#)
- [Competitor Cross Reference](#)
- [Document Number Search](#)
- [Lead Free Solutions](#)
- [Help/Glossary](#)

Current Brand View

AMP

[View All Tyco Electronics Brands](#)

Click to activate links to all other products

Fiber Optic Products

Plastic Fiber Components

AMP

228043-1 -- 3 of 4 products

Active

[Active](#)

(Tyco Electronics P/N: 228043-1)

Previous	Next	Sales Information	AMP ACES	Step Search Screen
			Related Documents	General Information
			Pricing	Product Availability

Please use the customer drawing for all design activity.

- **Customer Drawing: 228043-1, Rev. B**
Document Title: mount active device

[169337.pdf](#) [169337.pdf](#) (54K)

The photographs and/or line drawings below are representative images of a product for viewing purposes only.

[Product Photo](#)
[Typical Assembly View](#)
[PCB Layout](#)

Searchable Features:

Brand:	AMP
Product Type:	Active Device Mount
Connector Type:	Dry Non-Polish (DNP)
Mount:	Printed Circuit Board

Other Properties:

For Use With:	Honeywell Low-Cost Plastic Sweetspot, TO-18
Comment:	Honeywell Low-Cost Plastic Sweetspot is a trademark of Honeywell Inc.

[Copyright](#) and [Privacy Statement](#)

Visit [Tyco International, Ltd.](#)

[Products](#) | [Brands](#) | [Industries](#) | [Customer Service](#) | [About](#) | [Home](#)