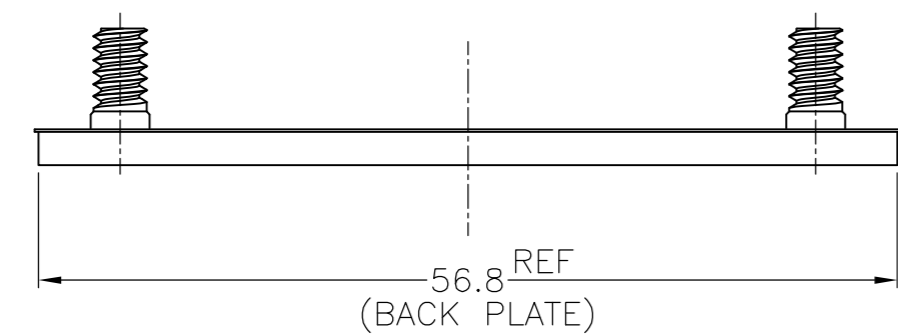
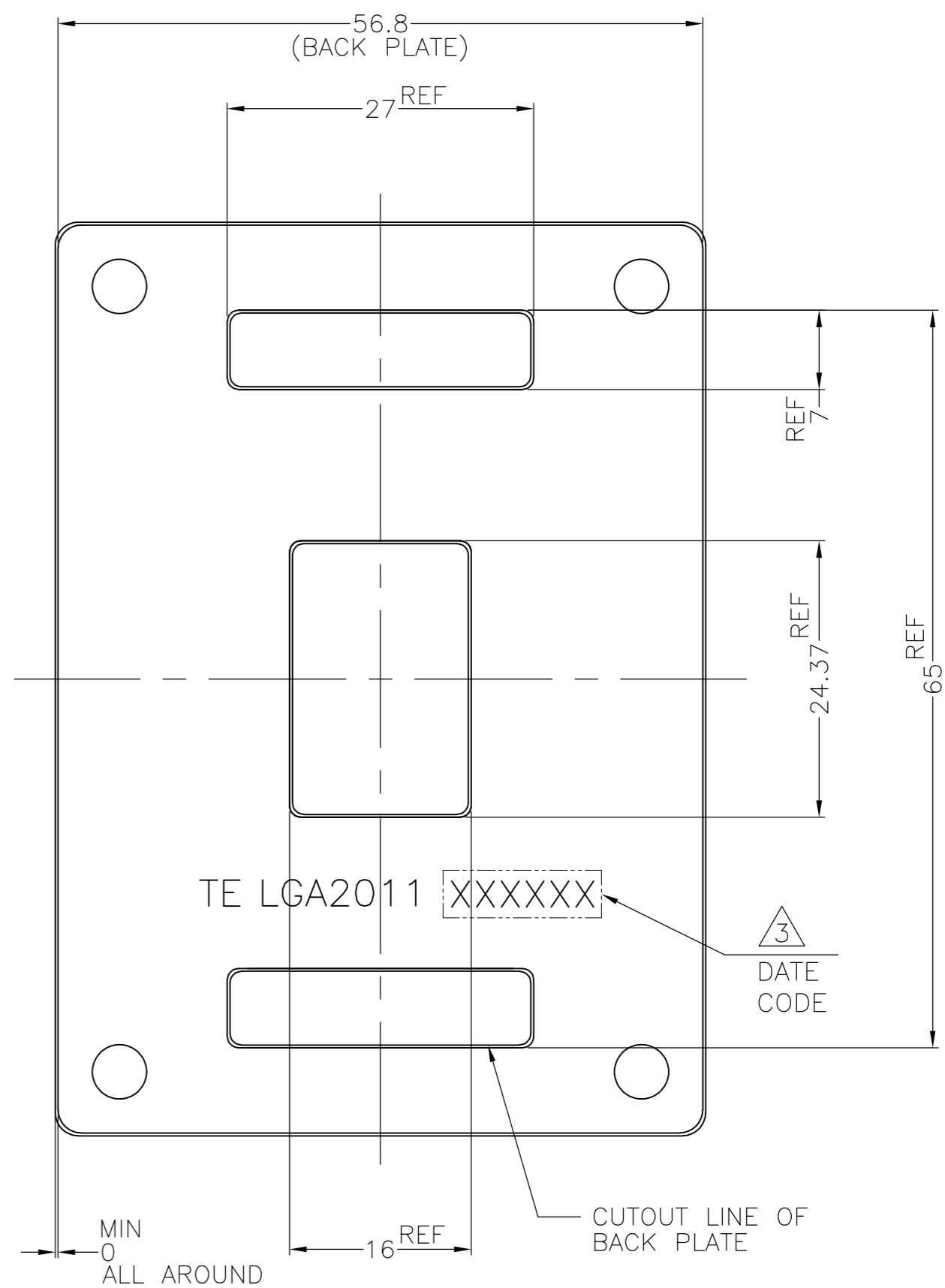
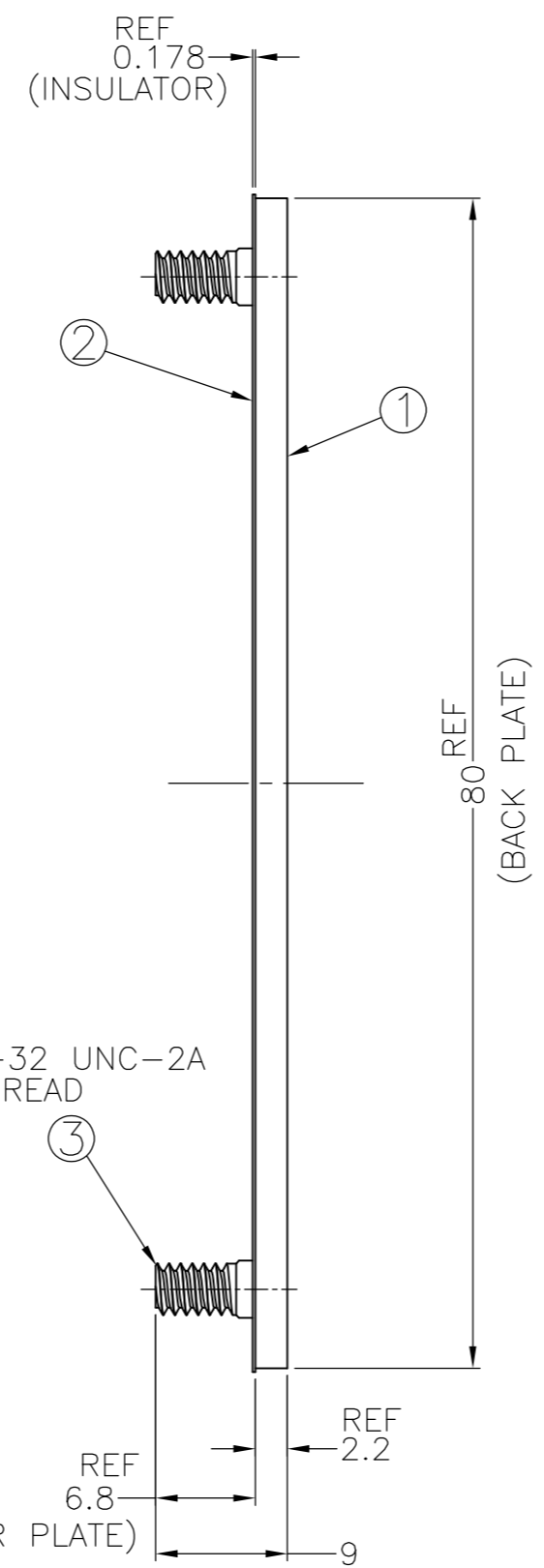
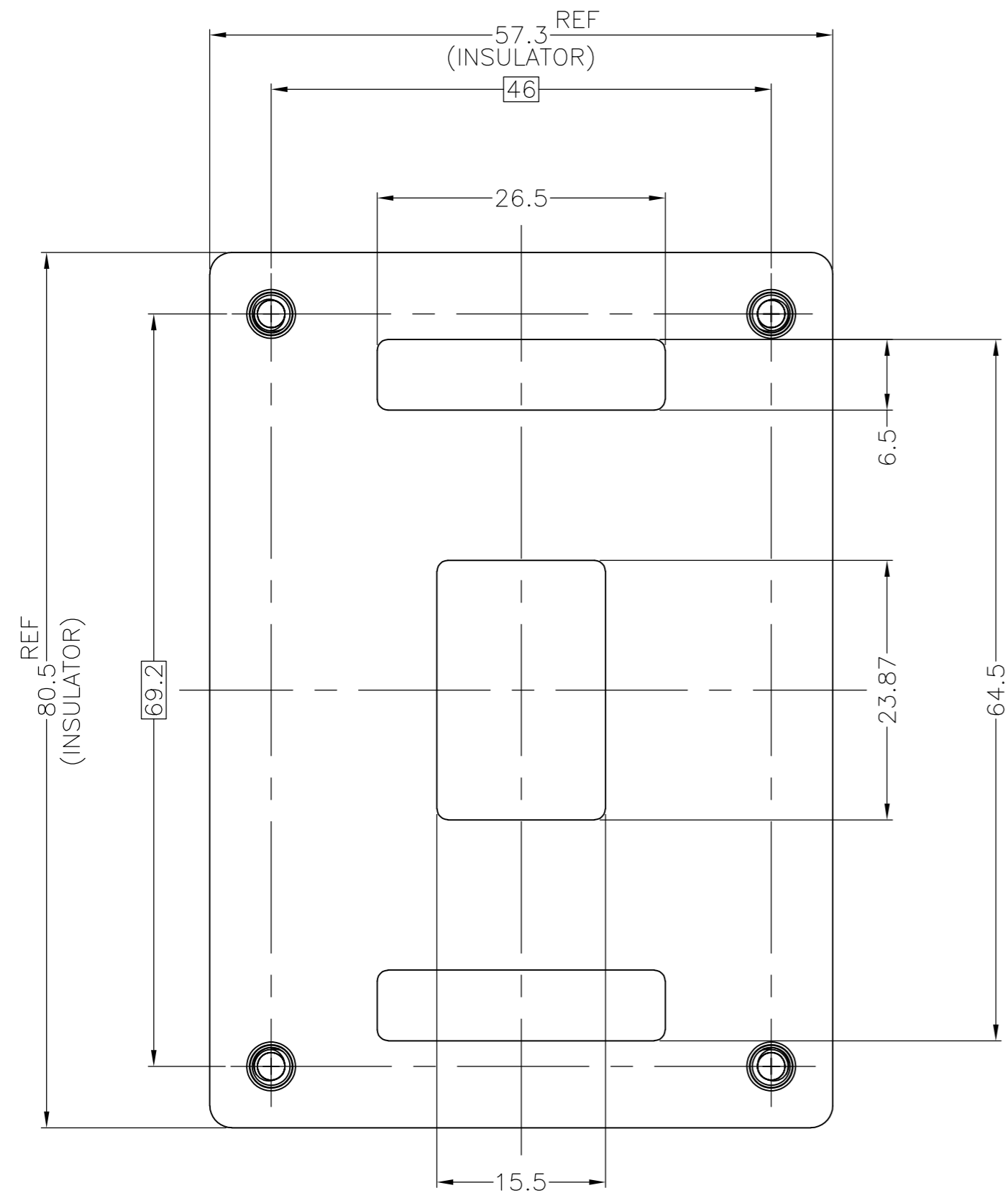


LOC	DIST	REVISIONS					
		P	LTR	DESCRIPTION	DATE	DWN	APVD
J	-	-	-	SEE SHEET 1	-	-	-



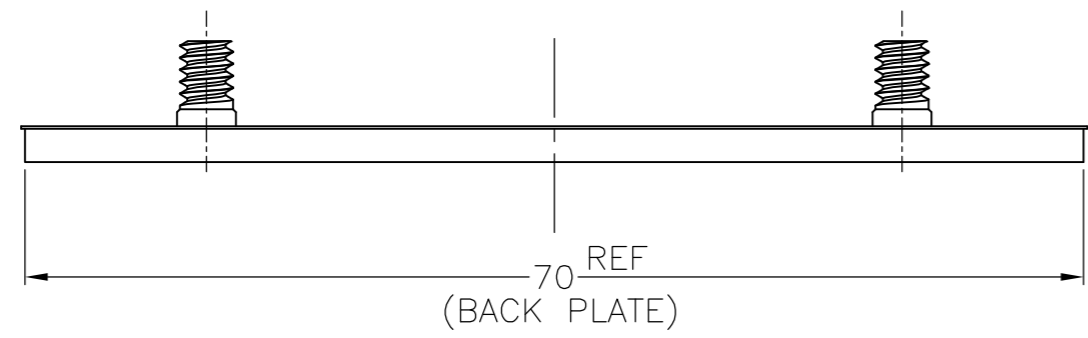
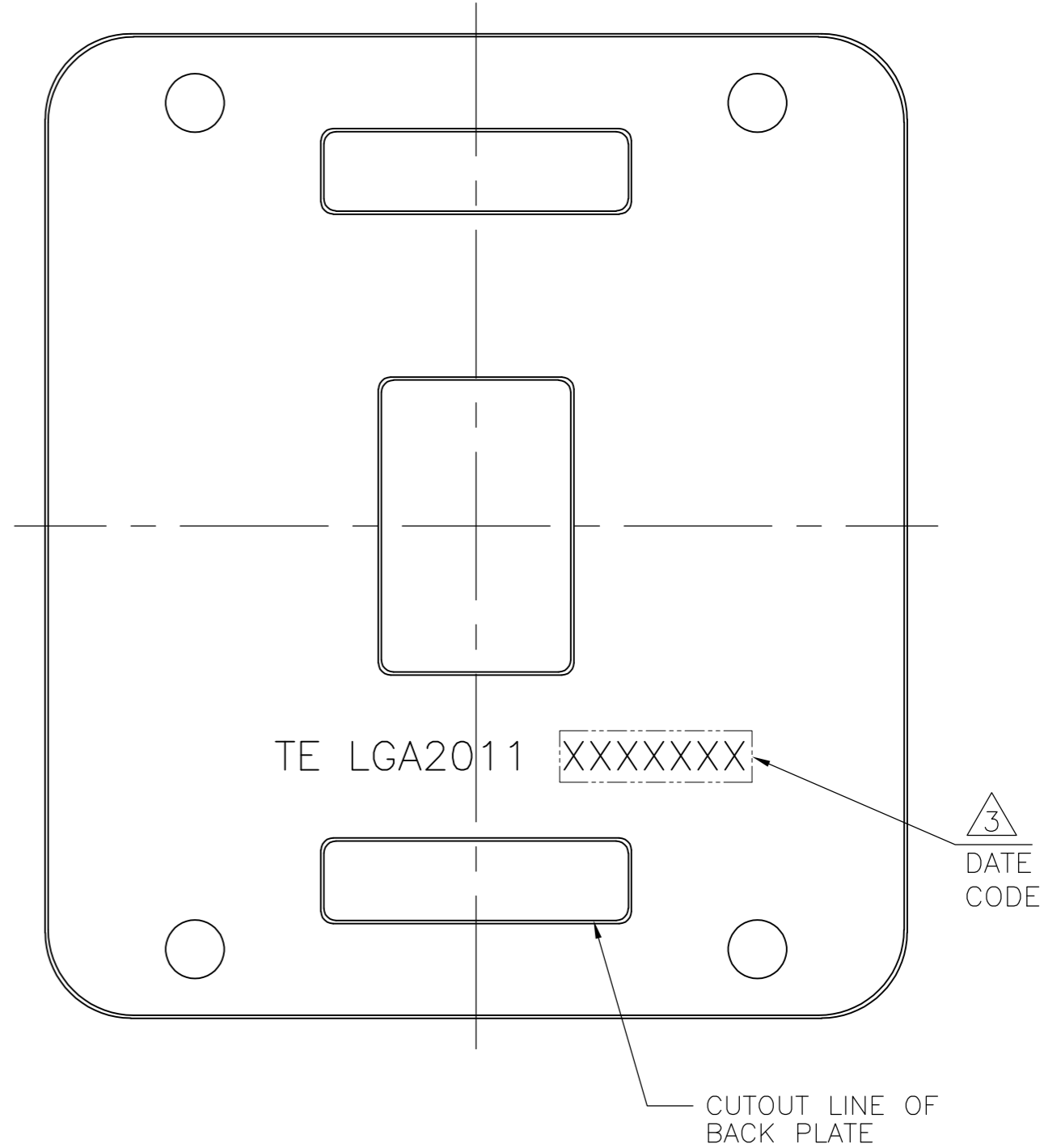
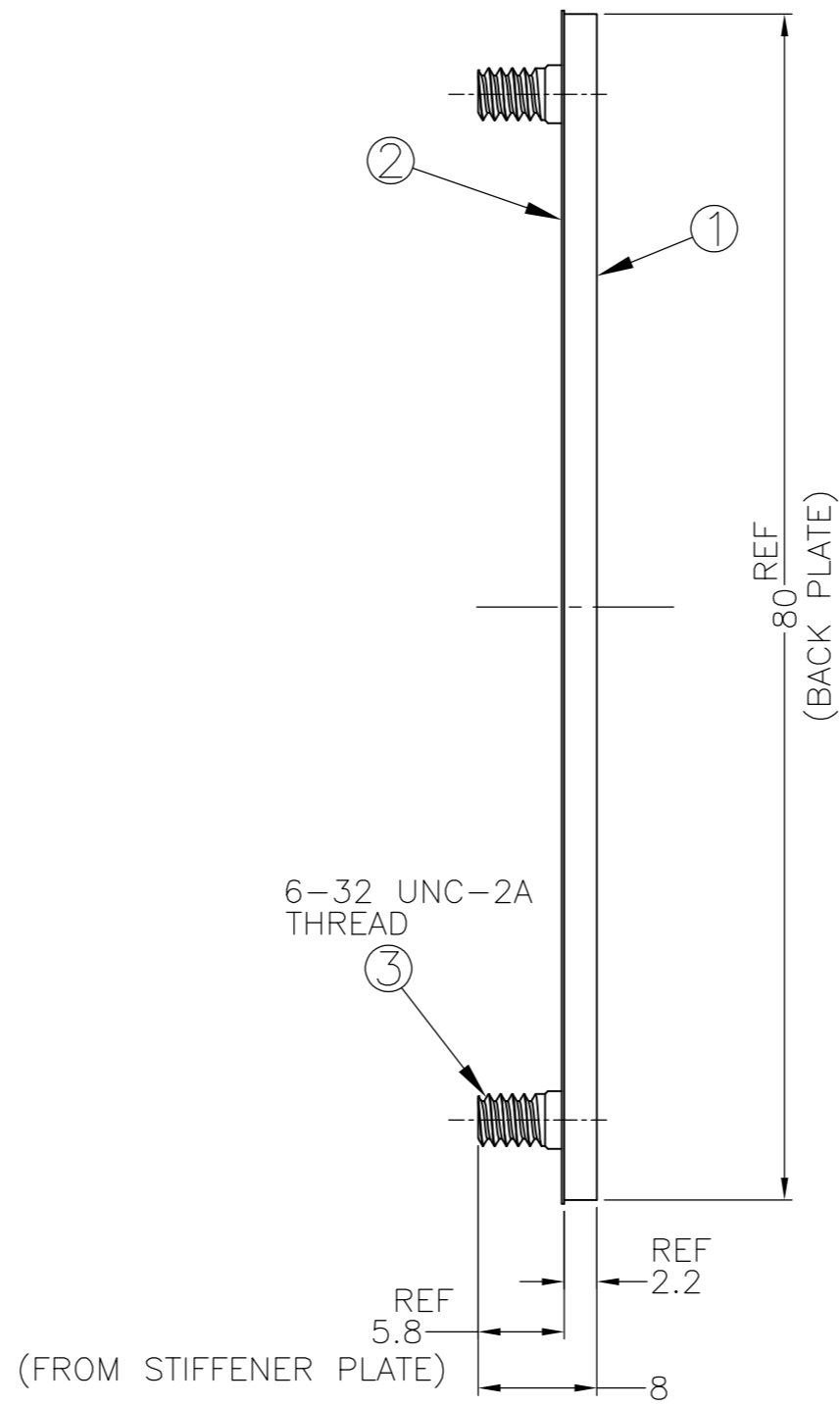
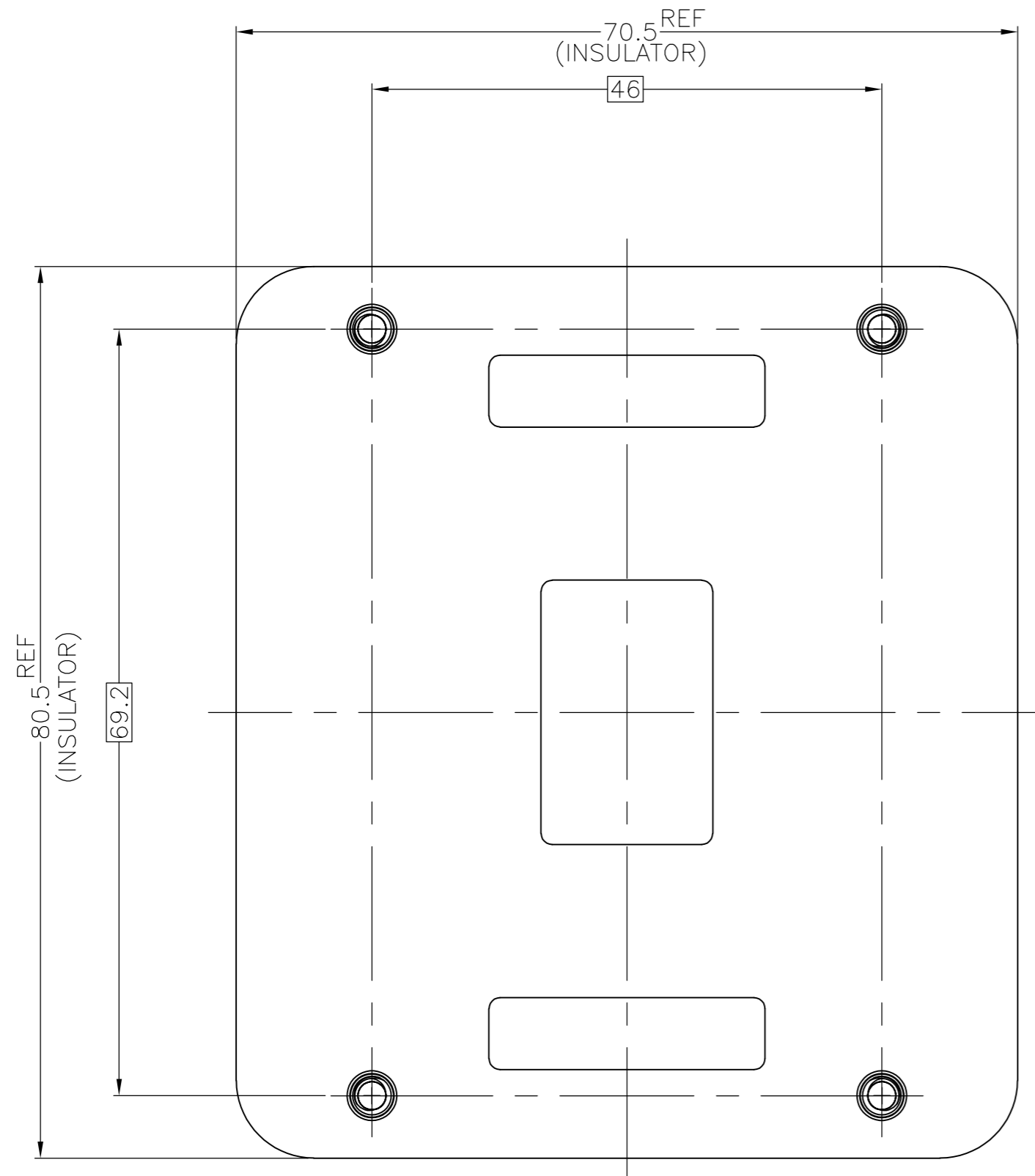
P/N: 2134440-3 AS SHOWN

- NOTE(APPLIED TO SHEET 2 OF 5):
- MATERIAL:
 - ① BACK PLATE: STEEL, FINISH: NI PLATING
 - ② INSULATOR: POLYCARBONATE FILM PLUS ACRYLIC ADHESIVE LAYER
 - ③ STUD: STEEL, FINISH: NI PLATING
 - ASSEMBLED WITH ILM ASSEMBLY P/N: 2134439 SERIES
 - INDICATED DATE CODE ON THE BACK PLATE
 - APPLICABLE PCB THICKNESS: 2.86~3.58mm

THIS DRAWING IS A CONTROLLED DOCUMENT.		DWN	TE Connectivity	
DIMENSIONS: 単位: 寸 mm		CHK	BACK PLATE ASSY LGA2011	
TOLERANCES UNLESS OTHERWISE SPECIFIED: 一般公差		APVD	SIZE	CAGE CODE
0-PLC ± ± ± 0.3 1-PLC ± ± ± 3° 2-PLC ± ± ± 3-PLC ± ± ± 4-PLC ± ± ± ANGLES ± ± ± FINISH 仕上		PRODUCT SPEC 製品規格	A2	00779
MATERIAL 材料		APPLICATION SPEC 取付適用規格	DRAWING NO 番号	RESTRICTED TO
WEIGHT SEE TABLE		SCALE 尺度 2:1	C=2134440	REV E
CUSTOMER DRAWING		SHEET 2 of 5		

THIS DRAWING IS UNPUBLISHED. RELEASED FOR PUBLICATION APR , 2011.
 © COPYRIGHT 2011 By Tyco Electronics Japan G.K. ALL RIGHTS RESERVED.

LOC		DIST		REVISIONS			
P	LTR	DESCRIPTION		DATE	DWN	APVD	
J	-	-	-	-	-	-	
SEE SHEET 1							



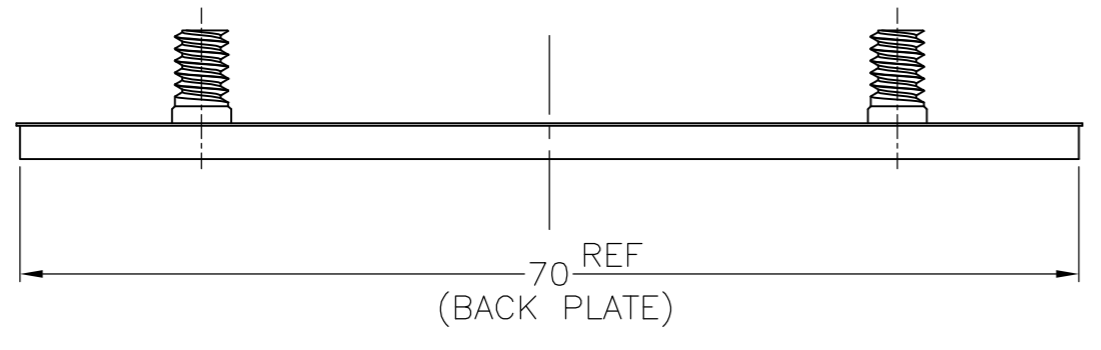
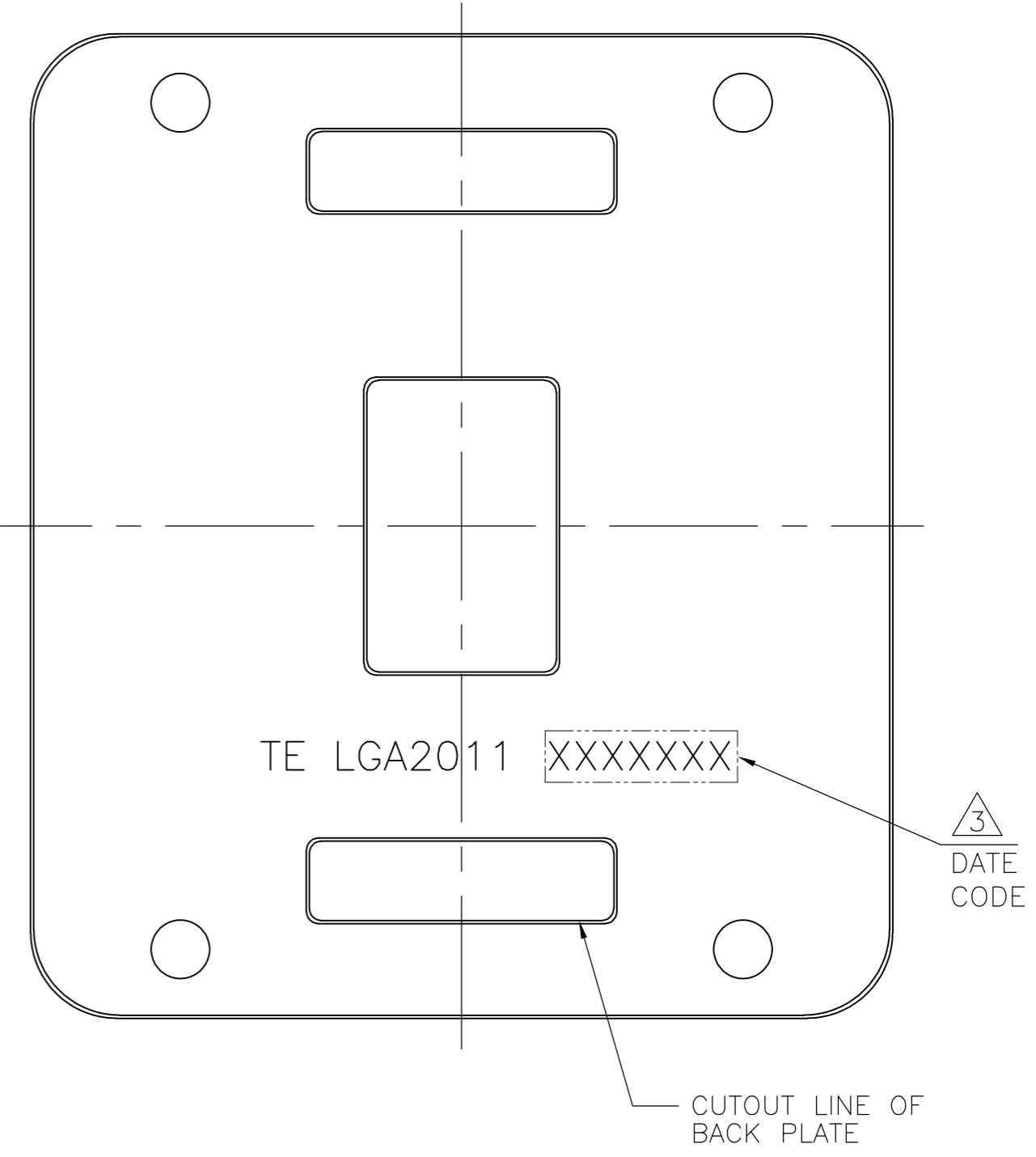
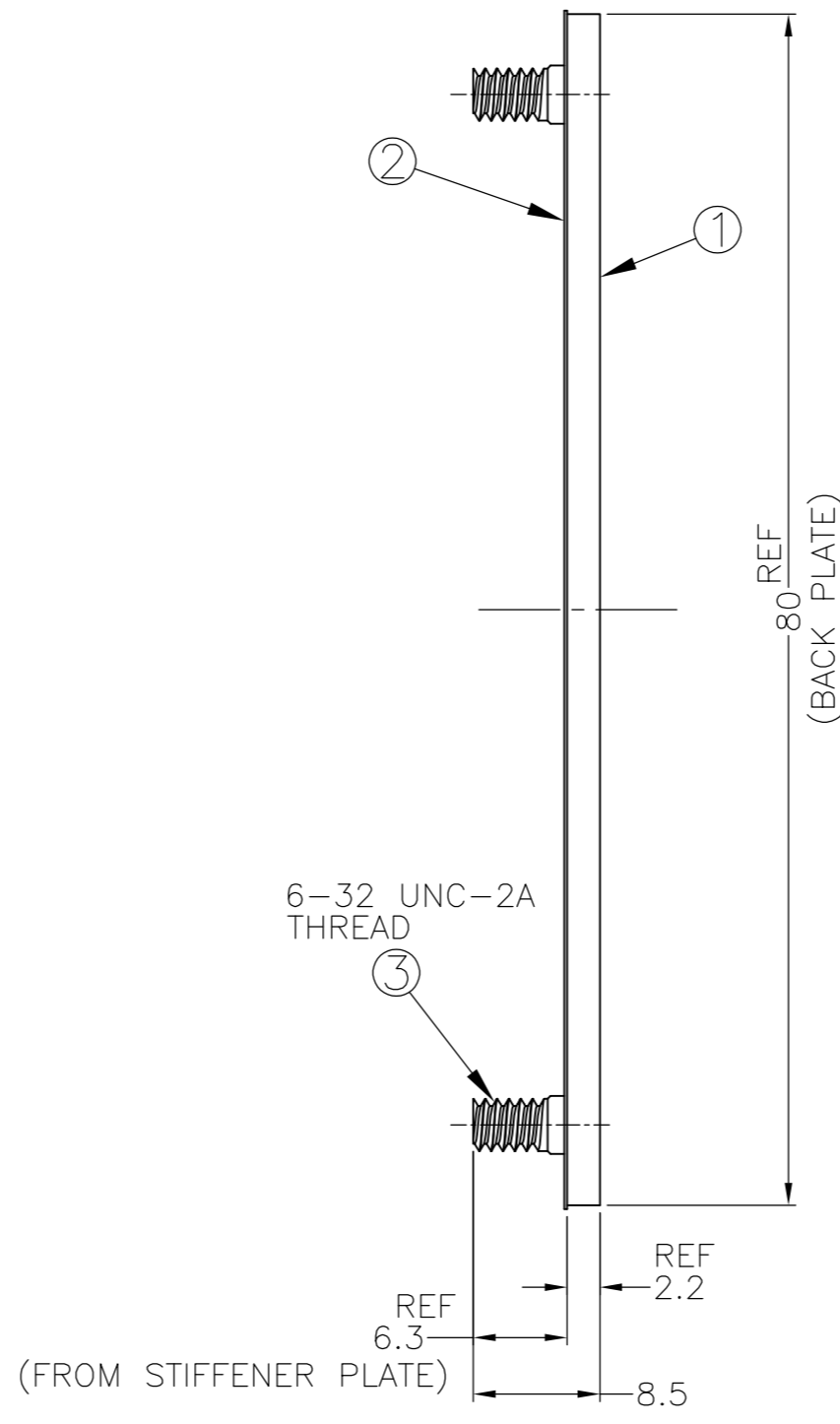
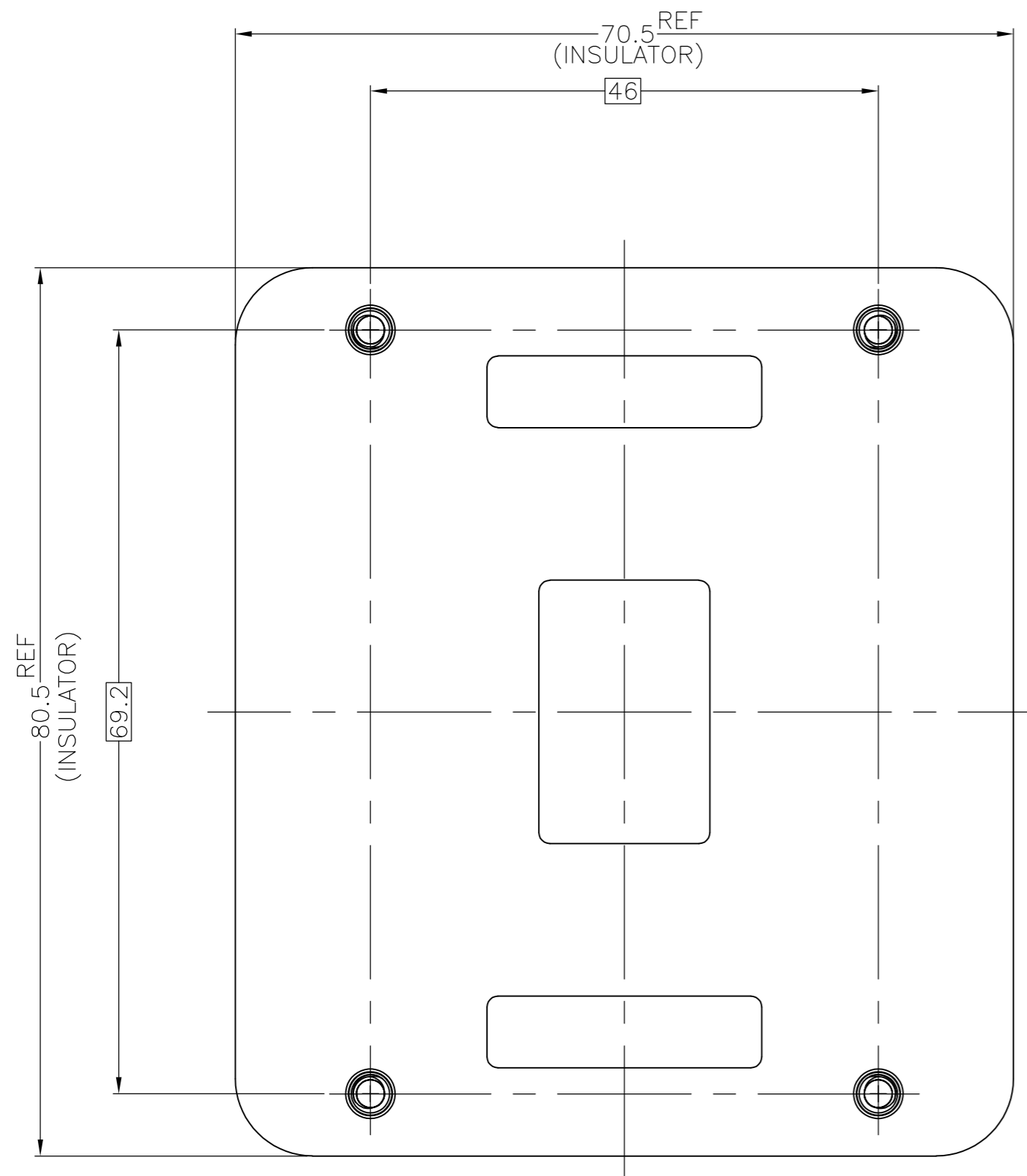
2134440-4 AS SHOWN
 UNLESS SPECIFIED
 DIMENSION ARE SAME WITH -1

THIS DRAWING IS A CONTROLLED DOCUMENT.		DWN	-	TE Connectivity	
DIMENSIONS: 単位: 寸 mm		CHK	-		
TOLERANCES UNLESS OTHERWISE SPECIFIED: 一般公差		APVD	-	NAME 名称	
0-PLC ± ± ± 0.3 1-PLC ± ± ± 2-PLC ± ± ± 3° 3-PLC ± ± ± 4-PLC ± ± ± ANGLES ± ± ±		PRODUCT SPEC 製品規格		BACK PLATE ASSY LGA2011	
MATERIAL 材料		WEIGHT SEE TABLE		SIZE A2	CAGE CODE 00779
FINISH 仕上		CUSTOMER DRAWING		DRAWING NO 番号 C=2134440	RESTRICTED TO -
		SCALE 尺度 2:1		SHEET 3 OF 5	REV E

2134440

THIS DRAWING IS UNPUBLISHED. RELEASED FOR PUBLICATION APR , 2011.
 © COPYRIGHT 2011 By Tyco Electronics Japan G.K. ALL RIGHTS RESERVED.

LOC		DIST		REVISIONS			
P	LTR	DESCRIPTION	DATE	DWN	APVD		
J	-						
		SEE SHEET 1					

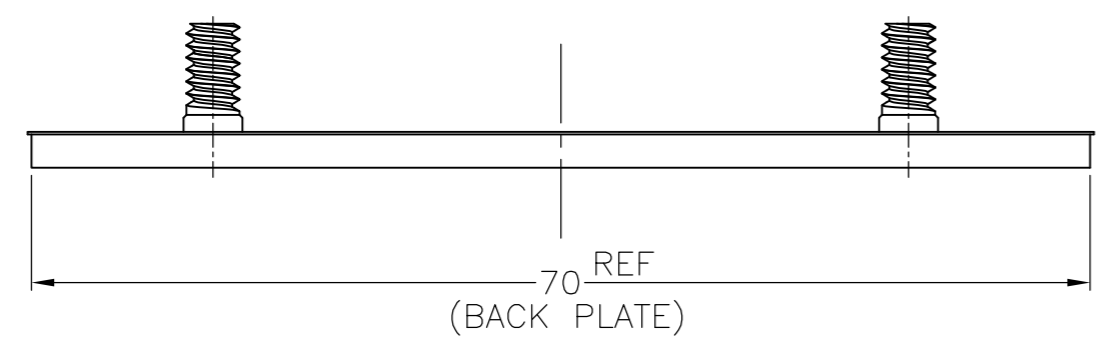
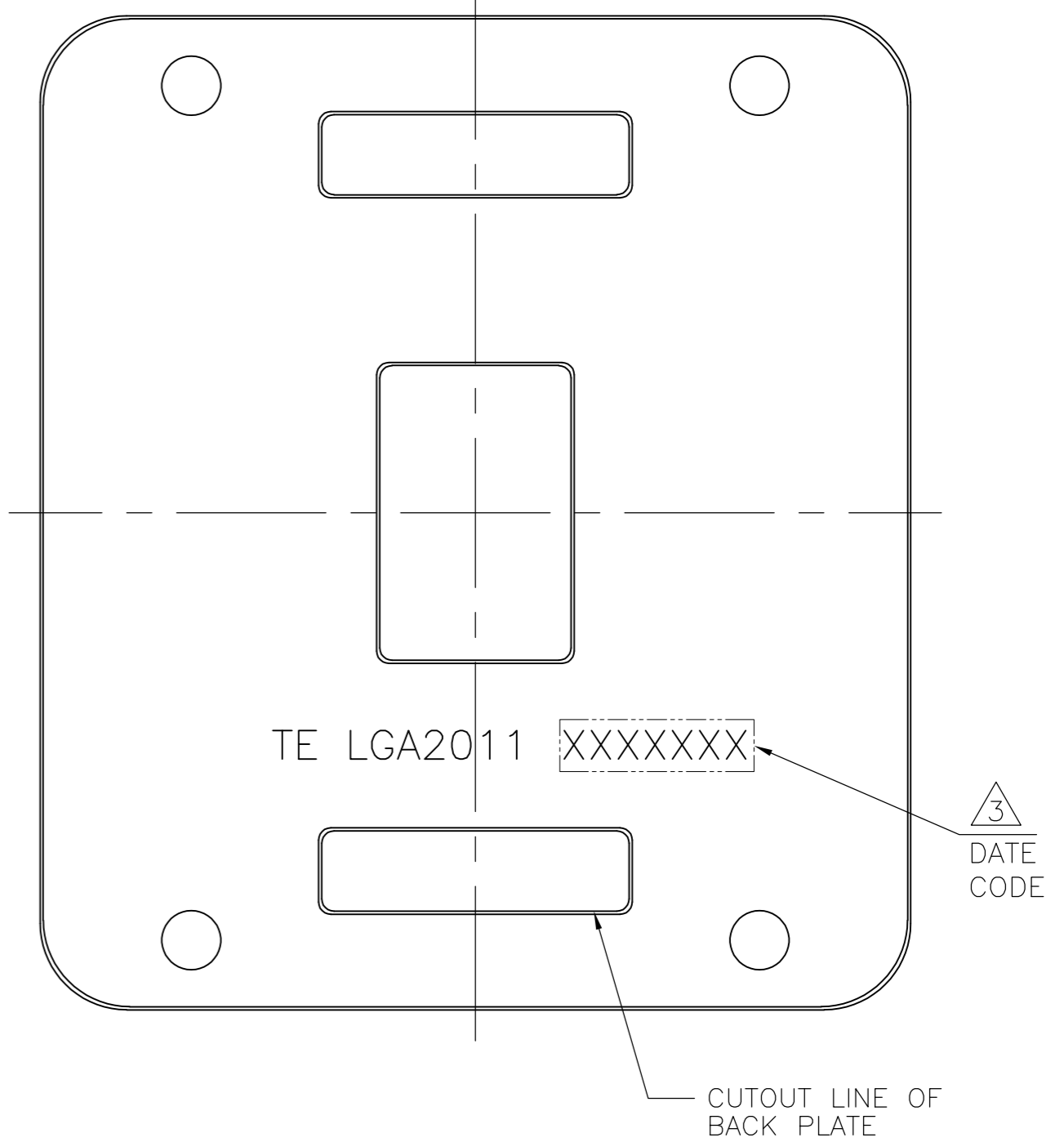
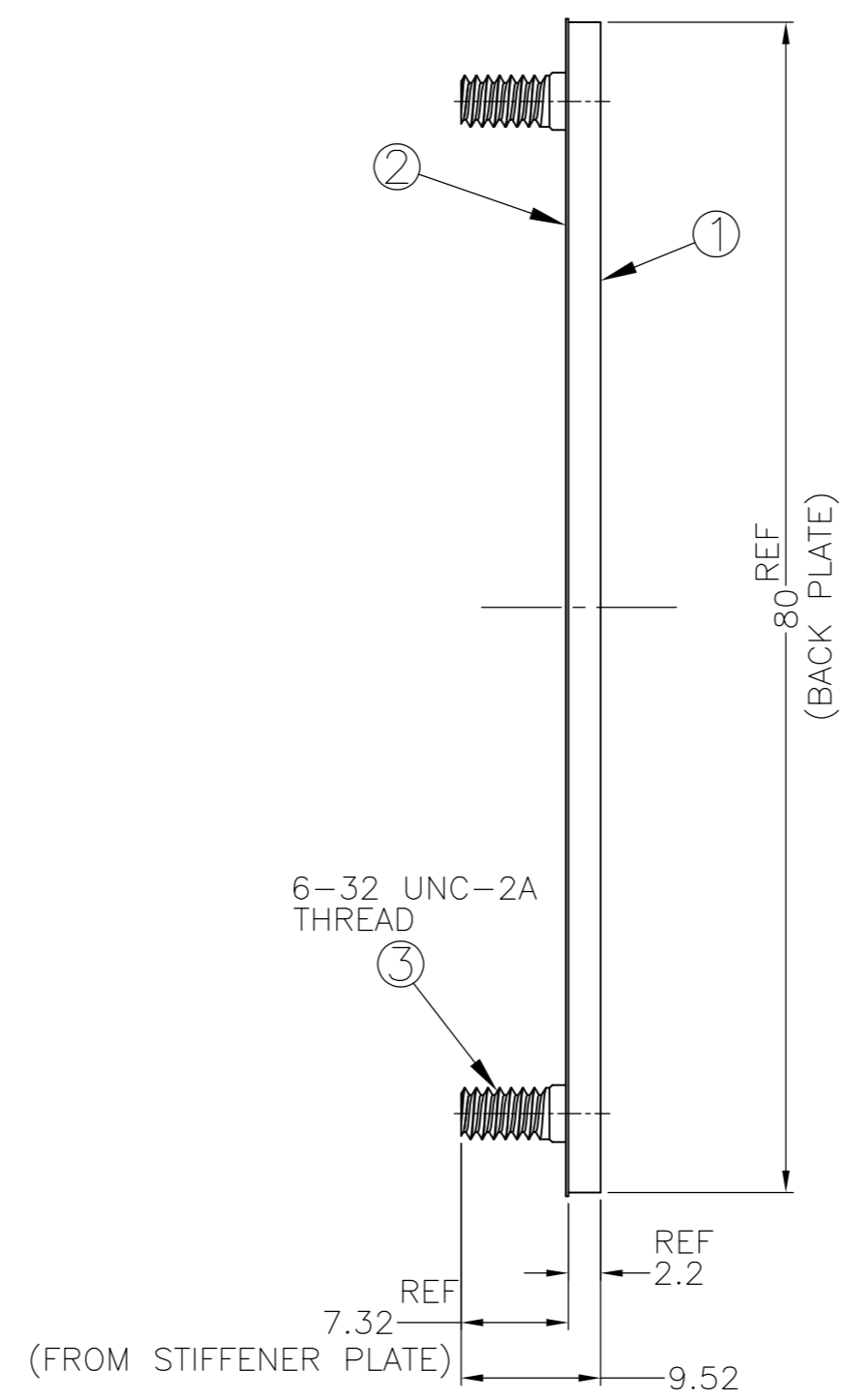
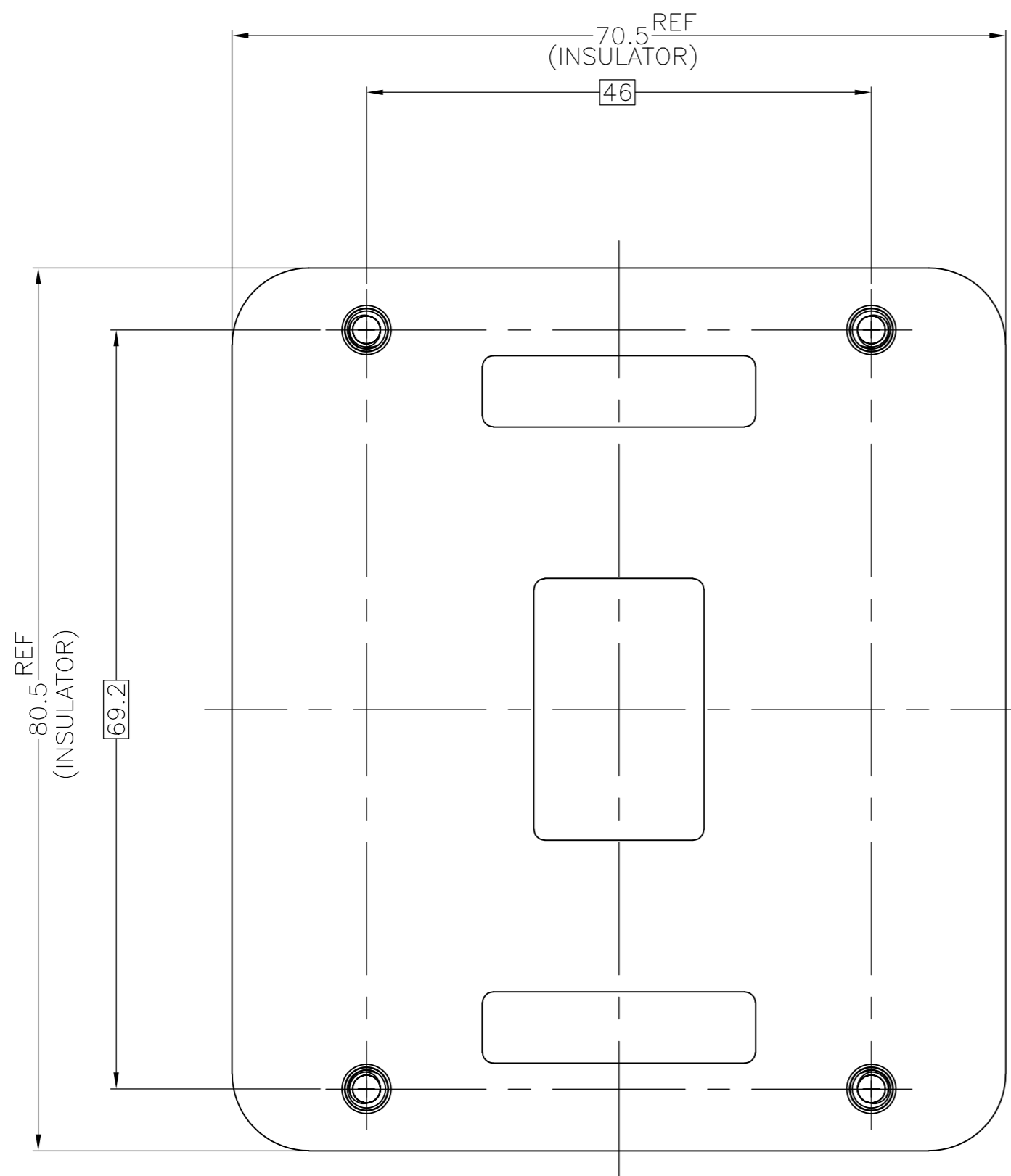


2134440-5 AS SHOWN
 UNLESS SPECIFIED
 DIMENSION ARE SAME WITH -1

THIS DRAWING IS A CONTROLLED DOCUMENT.		DWN	TE Connectivity	
DIMENSIONS: 単位: 種 mm		CHK	BACK PLATE ASSY LGA2011	
TOLERANCES UNLESS OTHERWISE SPECIFIED: 一般公差		APVD	SIZE	CAGE CODE
0-PLC ± ± ± 0.3	PRODUCT SPEC 製品規格		A2	00779
1-PLC ± ± ± 3°	APPLICATION SPEC 取付適用規格		DRAWING NO 番号	RESTRICTED TO
2-PLC ± ± ±	FINISH 仕上	WEIGHT	C=2134440	
3-PLC ± ± ±		SEE TABLE		
4-PLC ± ± ±		CUSTOMER DRAWING	SCALE 尺度 2:1	SHEET 4 OF 5
ANGLES ± ± ±			REV E	

THIS DRAWING IS UNPUBLISHED. RELEASED FOR PUBLICATION APR , 2011.
 © COPYRIGHT 2011 By Tyco Electronics Japan G.K. ALL RIGHTS RESERVED.

LOC	DIST	REVISIONS					
J	-	P	LTR	DESCRIPTION	DATE	DWN	APVD
		-	-	SEE SHEET 1	-	-	-



2134440-7 AS SHOWN
 UNLESS SPECIFIED
 DIMENSION ARE SAME WITH -1

THIS DRAWING IS A CONTROLLED DOCUMENT.		DWN	-	STE TE Connectivity	
DIMENSIONS: 単位: 寸 mm		CHK	-		
TOLERANCES UNLESS OTHERWISE SPECIFIED: 一般公差		APVD	-	NAME 名称	
0-PLC ± ± ± 0.3	PRODUCT SPEC 製品規格	BACK PLATE ASSY LGA2011		SIZE	CAGE CODE
1-PLC ± ± ± 0.3	APPLICATION SPEC 取付適用規格	DRAWING NO 番号		A2	00779
2-PLC ± ± ± 0.3	FINISH 仕上	DRAWING NO 番号		RESTRICTED TO	
3-PLC ± ± ± 0.3		C=2134440		-	
4-PLC ± ± ± 0.3		WEIGHT SEE TABLE		SCALE 尺度 2:1	
ANGLES ± ± ± 0.3		CUSTOMER DRAWING		SHEET 5 OF 5	
		SCALE 尺度 2:1		REV E	

Mouser Electronics

Authorized Distributor

Click to View Pricing, Inventory, Delivery & Lifecycle Information:

[TE Connectivity:](#)

[2134440-5](#)