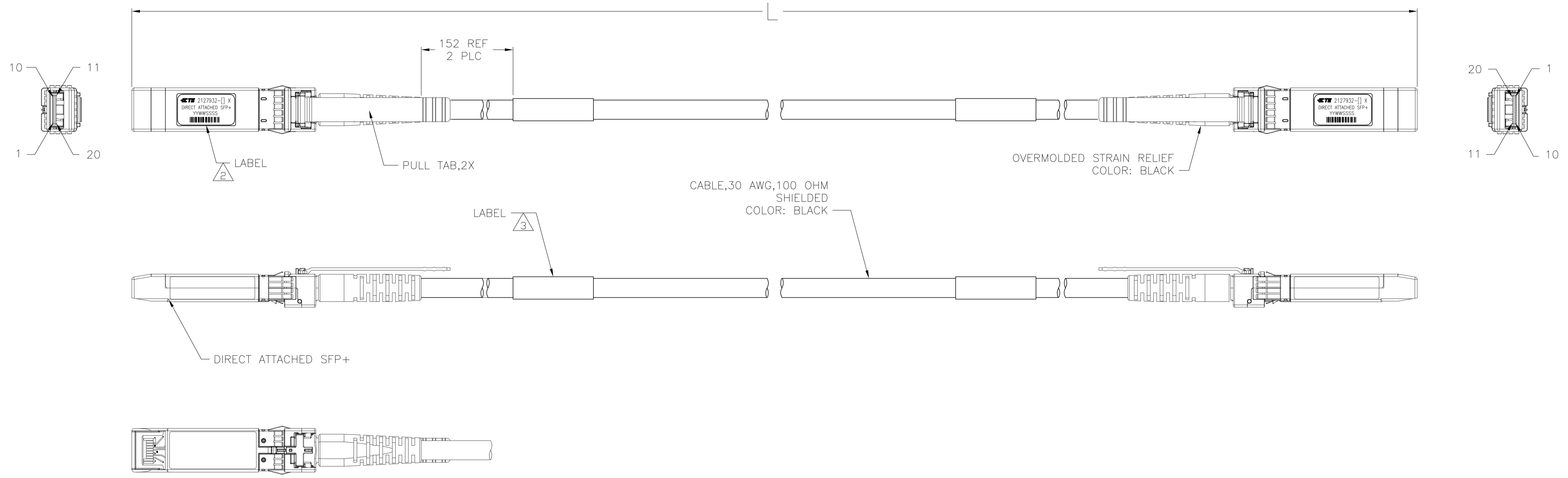
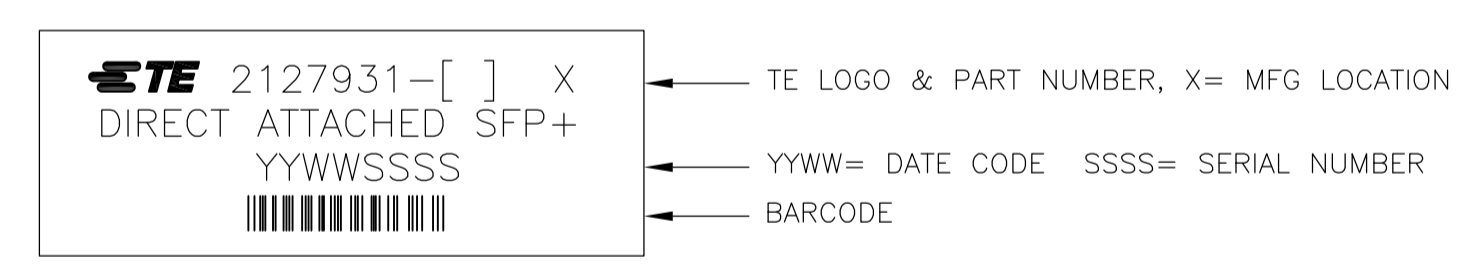


REVISIONS				
P	LTR	DESCRIPTION	DATE	DMN / APVD
F		REVISED PER ECO-16-018333	20DEC2016	KS / TZ

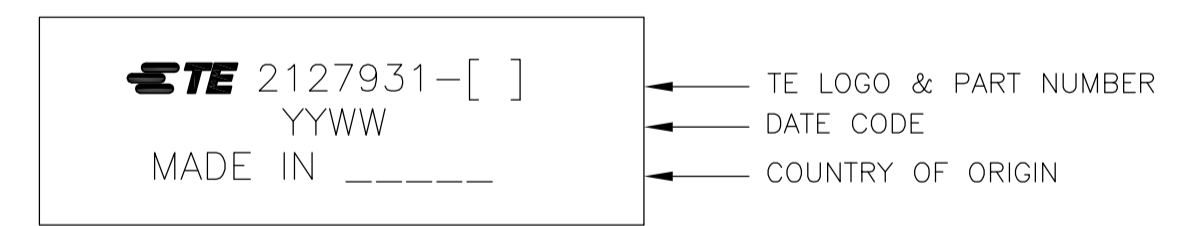


1. CHARACTERISTIC IMPEDANCE: 100±10 OHMS (MEASURED DIFFERENTIALLY).

△2 LABEL INFORMATION:



△3 LABEL INFORMATION:



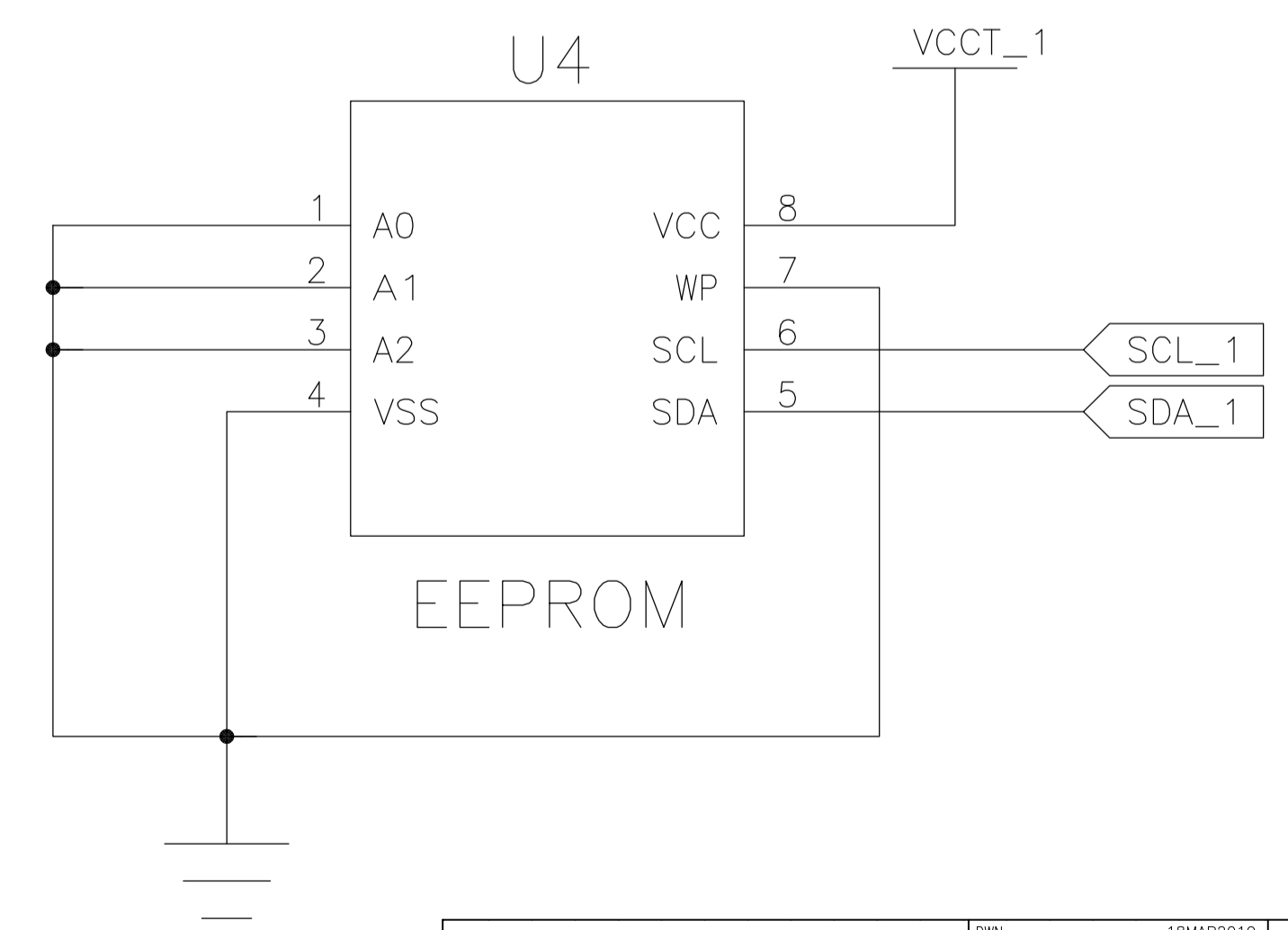
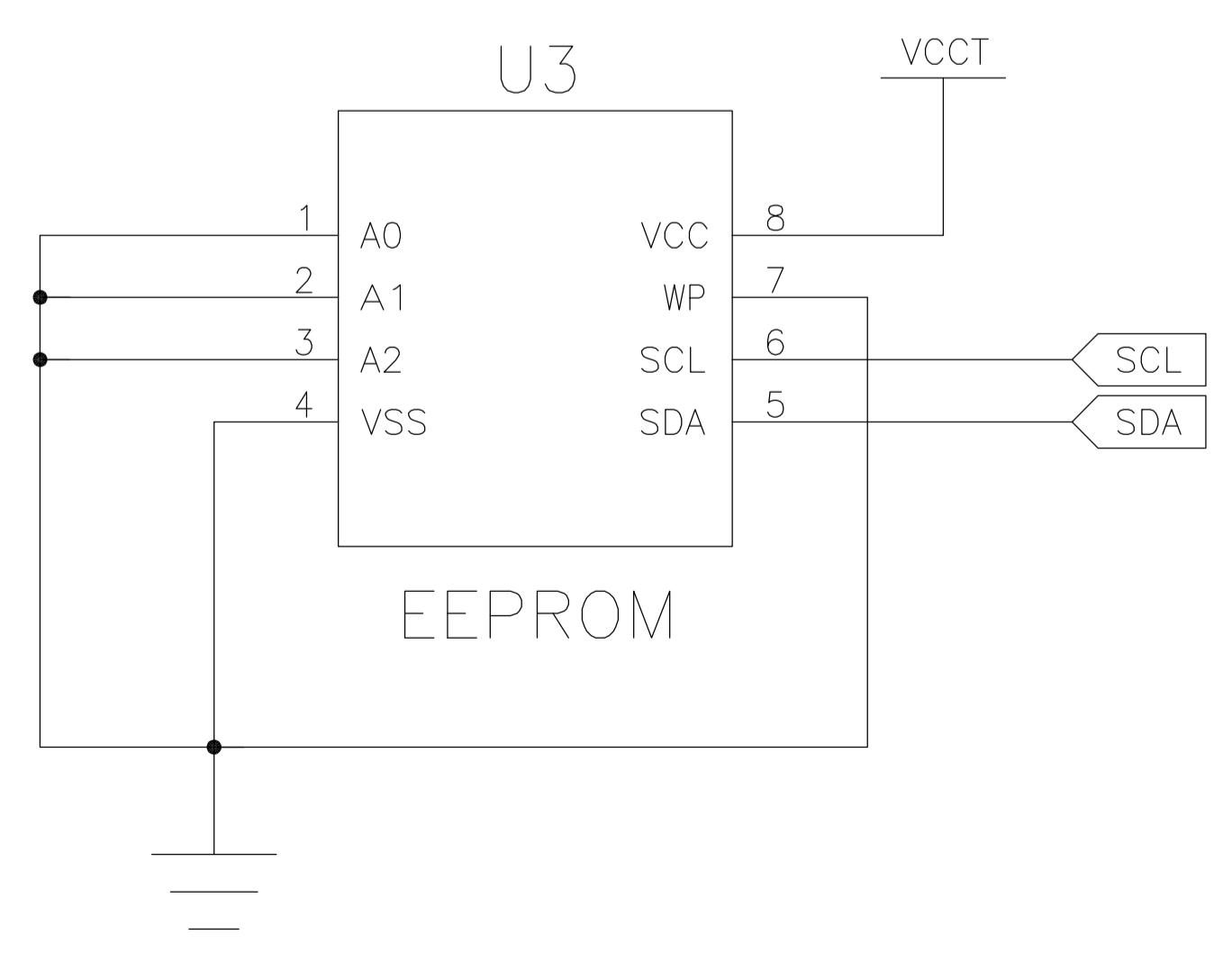
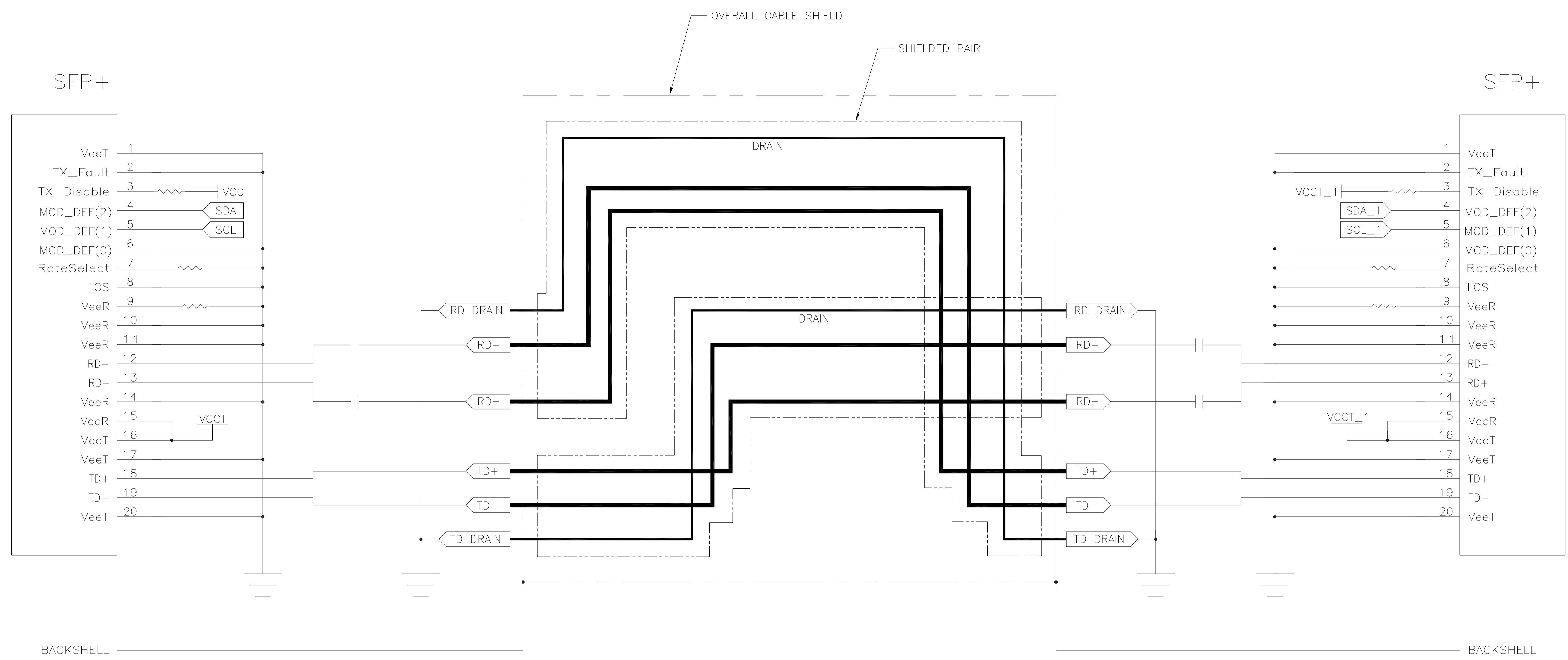
4. SEE SHEET 2 FOR WIRING SCHEMATIC.

5. ROHS COMPLIANCE: PRODUCT AND PROCESSING MEETS REQUIREMENTS OF TE SPECIFICATION TEC-138-702.

3 ^{+0.08} ₋₀ METERS	1-2127931-4
1 ^{+0.05} ₋₀ METERS	1-2127931-2
0.305 ^{+0.05} ₋₀ METERS	2127931-5
3 ^{+0.08} ₋₀ METERS	2127931-4
2 ^{+0.08} ₋₀ METERS	2127931-3
1 ^{+0.05} ₋₀ METERS	2127931-2
0.5 ^{+0.05} ₋₀ METERS	2127931-1
L	PART NO

THIS DRAWING IS A CONTROLLED DOCUMENT.		DIN T. SMITH 18MAR2010		TE Connectivity	
DIMENSIONS: mm		CHK C. ADAMS 18MAR2010			
TOLERANCES UNLESS OTHERWISE SPECIFIED:		APVD C. ADAMS 18MAR2010		NAME	
0 PLC ± -	1 PLC ± -	PRODUCT SPEC		CABLE ASSY, 30 AWG, SFP+ TO SFP+ NI_PLATED	
2 PLC ± -	3 PLC ± -	APPLICATION SPEC		SIZE CAGE CODE DRAWING NO	
4 PLC ± -	ANGLES ± -	WEIGHT 0		RESTRICTED TO	
MATERIAL -	FINISH -	A1 00779 C=2127931		CUSTOMER DRAWING	
		SCALE 1:1		SHEET 1 OF 2 REV F	

REVISIONS					
P	LTR	DESCRIPTION	DATE	DWN	APVD
-	-	SEE SHEET 1	-	-	-



THIS DRAWING IS A CONTROLLED DOCUMENT.		DWN T.SMITH 18MAR2010	
DIMENSIONS: mm		CHK C.ADAMS 18MAR2010	
TOLERANCES UNLESS OTHERWISE SPECIFIED: 0. PLC ± - 1. PLC ± - 2. PLC ± - 3. PLC ± - 4. PLC ± - ANGLES ± - FINISH -		APVD C.ADAMS 18MAR2010	NAME CABLE ASSY,30 AWG,SFP+ TO SFP+ NI_PLATED
MATERIAL -		PRODUCT SPEC -	APPLICATION SPEC -
		SIZE A1	CAGE CODE 00779
		DRAWING NO. 2127931	RESTRICTED TO -
		WEIGHT -	CUSTOMER DRAWING
		SCALE 1:1	SHEET 2 OF 2
		REV F	

Mouser Electronics

Authorized Distributor

Click to View Pricing, Inventory, Delivery & Lifecycle Information:

[TE Connectivity:](#)

[2127931-2](#)