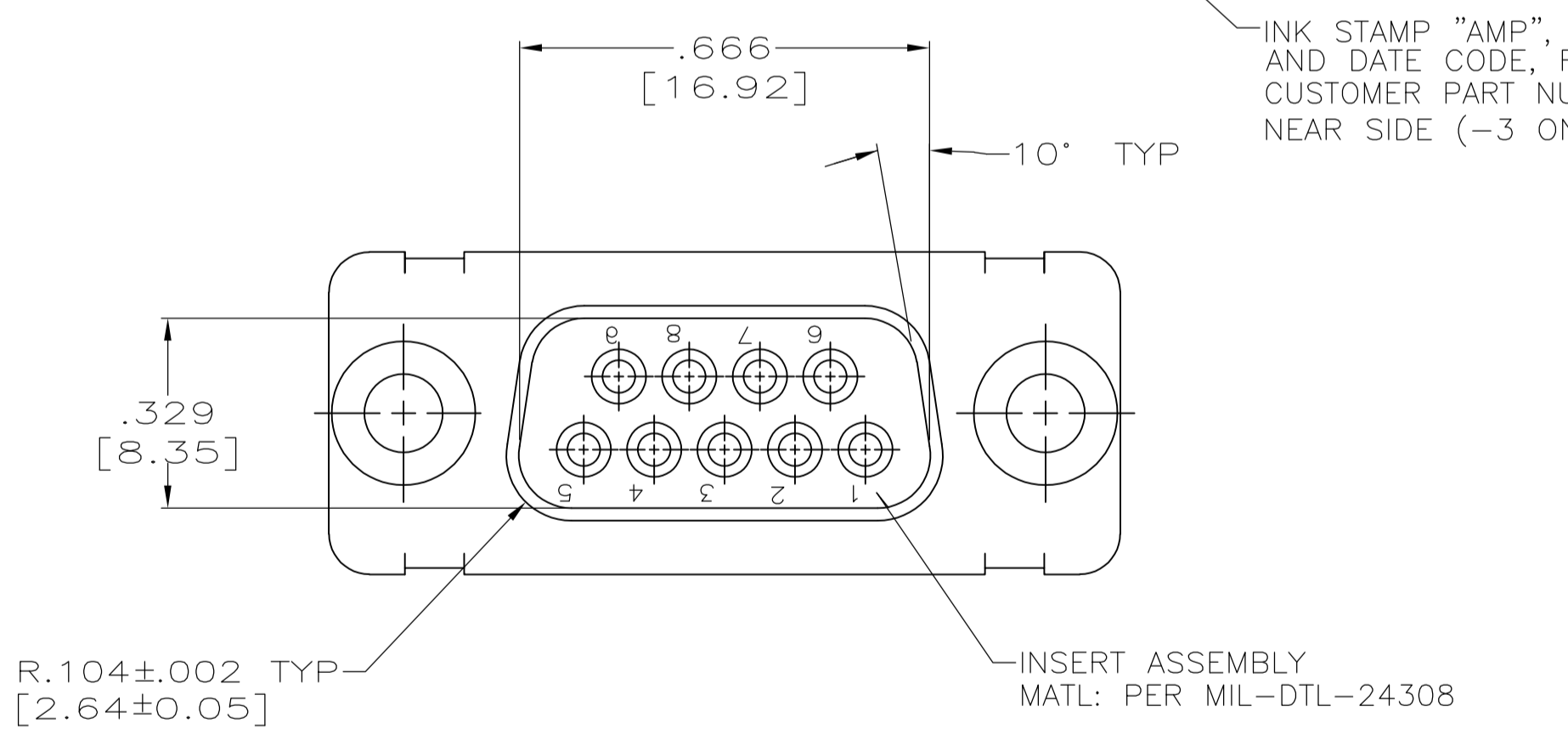
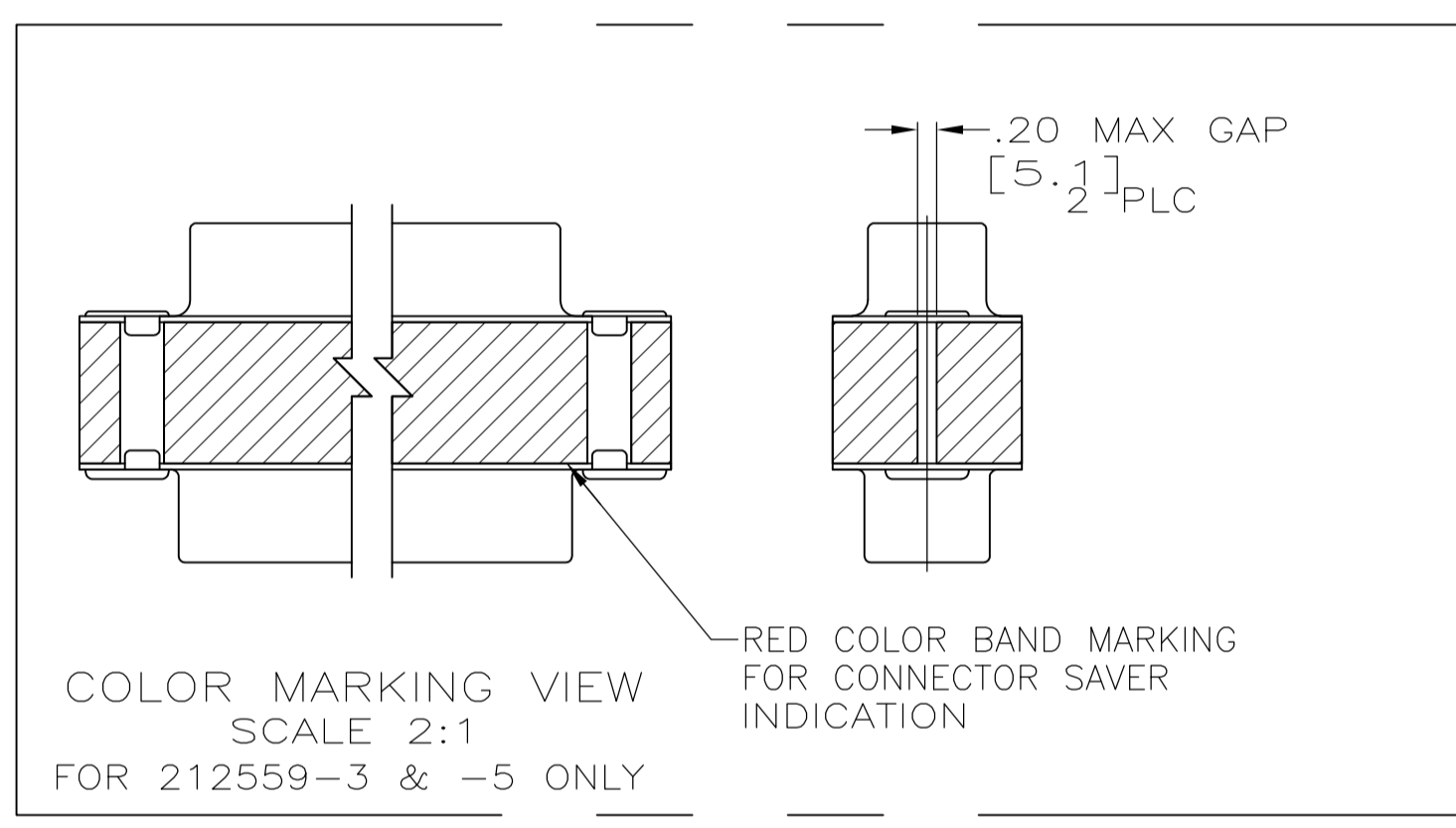
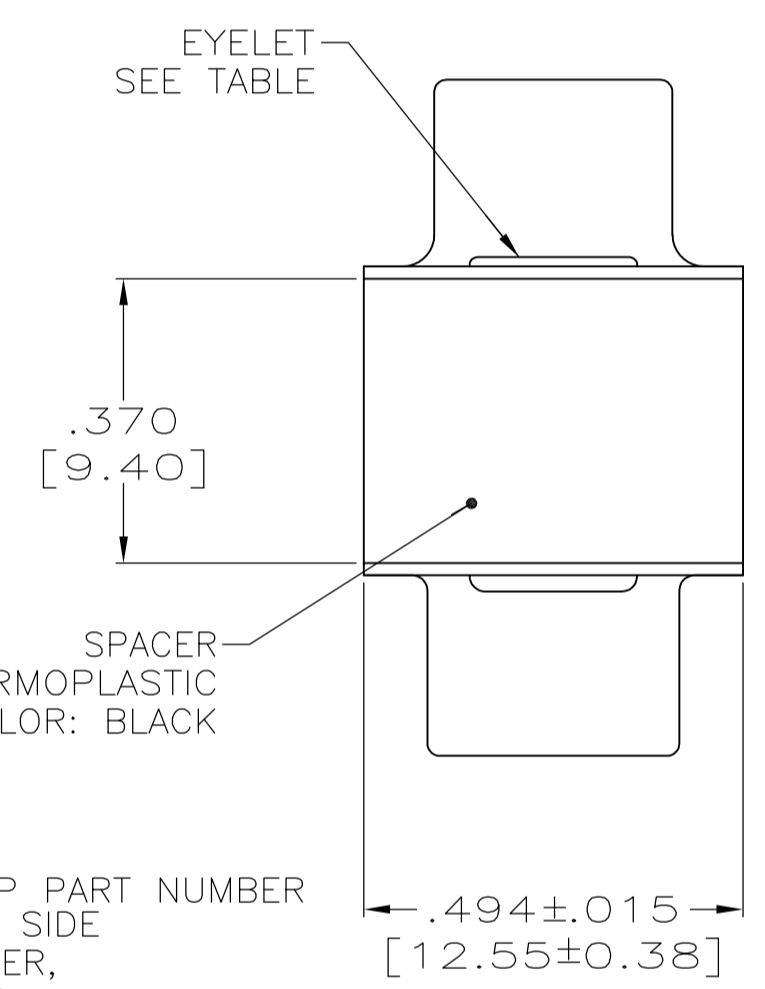
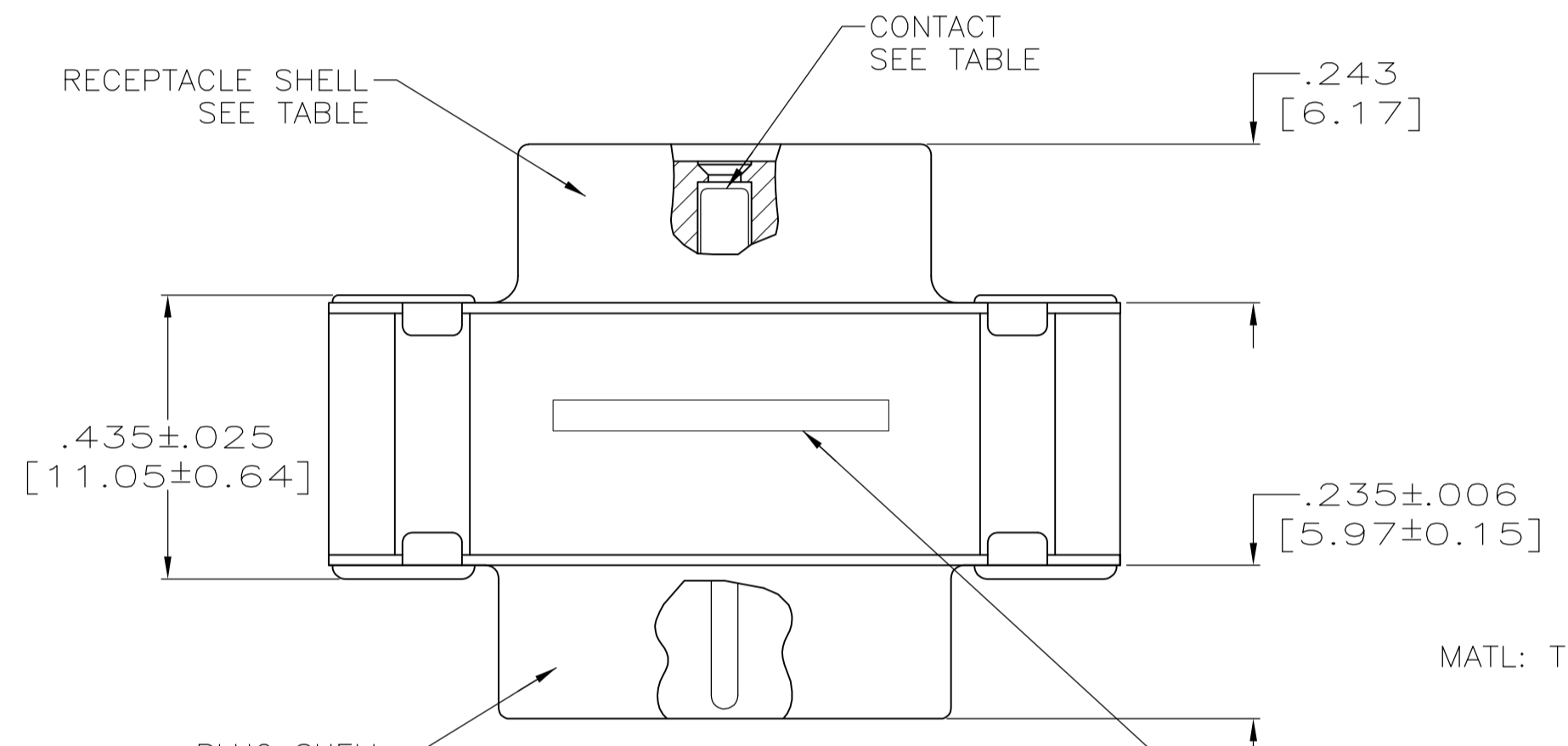
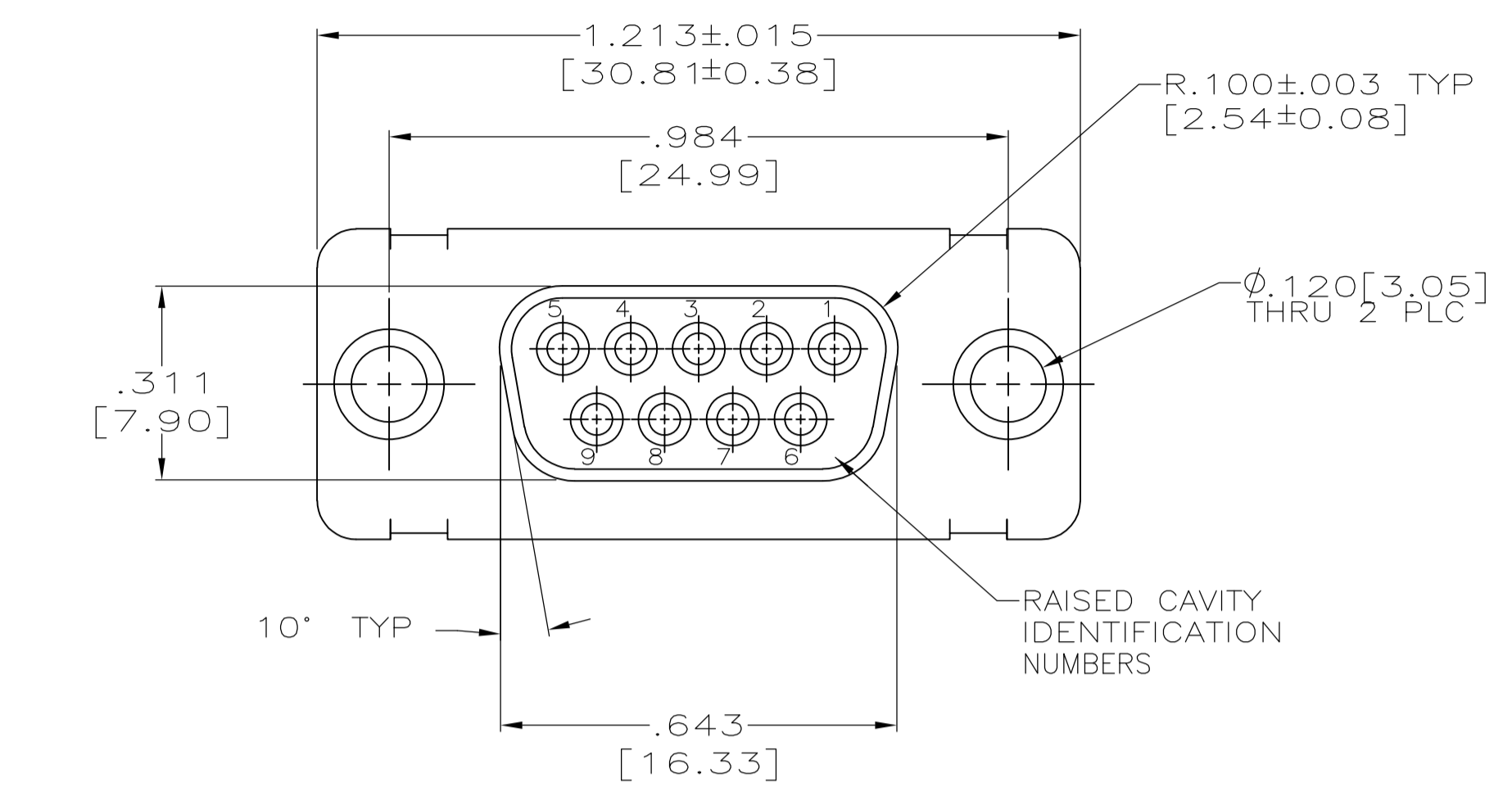


LOC		DIST		REVISIONS			
P	LTR	DATE	DESCRIPTION	DATE	DMN	APVD	
S		21MAY15	REVISED PER ECO-15-005911		KG	DM	



- 1. CONTACTS INCLUDED IN ASSEMBLY.
- △ MATL: STEEL, PER ASTM-A-109.
- △ FINISH: CADMIUM PER QQ-P-416.
- △ CONTACT
- △ BODY MATL: BERYLLIUM COPPER PER ASTM-B-197.
- △ BODY FINISH: PLATED GOLD, .000050 MIN THK PER ASTM-B-488 OVER NICKEL, .000050 MIN THK PER QQ-N-290.
- △ HOOD MATL: STAINLESS STEEL PER ASTM-A-167.
- △ HOOD FINISH: PASSIVATED PER ASTM-A-380.
- △ FINISH: PLATED ZINC .00020 MIN THK PER ASTM-B-633. YELLOW CHROMATE FINISH.
- △ MATL: BRASS PER ASTM-B-36.
- △ FINISH: PLATED GOLD, .000050 MIN THK PER ASTM-B-488 OVER COPPER, .000100 MIN THK PER MIL-C-14550.
- △ CONTACT
- △ BODY MATL: BERYLLIUM COPPER PER ASTM-B-197.
- △ BODY AND HOOD FINISH: PLATED GOLD, .000050 MIN THK PER ASTM-B-488 OVER COPPER, .000100 MIN THK PER MIL-C-14550.
- △ HOOD MATL: BRASS PER ASTM-B-36.
- △ FINISH: PLATED ZINC PER ASTM-B-633 .000200 MIN THK WITH SUPPLEMENTARY CHROMATE (Cr3+).
- △ CUSTOMER PART NUMBER MARKING FOR -5

△ 6 △ 9	△ 2 △ 9	△ 4	-	5-212559-1
△ 6 △ 7	△ 7 △ 6	△ 4	4U884 SOCN R10002677-0101 △ 10	212559-5
OBSOLETE	-	-	-	212559-4
△ 6 △ 7	△ 7 △ 6	△ 4	(1J02-101)	212559-3
△ 6 △ 7	△ 7 △ 6	△ 8	-	212559-2
△ 6 △ 5	△ 2 △ 3	△ 4	-	212559-1
EYELET	SHELLS	CONTACT	CUSTOMER P/N	PART NO.

THIS DRAWING IS A CONTROLLED DOCUMENT.

DIMENSIONS: INCHES	TOLERANCES UNLESS OTHERWISE SPECIFIED:	DIN T. THOMPSON 11-07-94	APVD D. MANTIONE 11-10-94	NAME
0 PLC ± -	1 PLC ± -	2 PLC ± -	3 PLC ± .005 [0.13]	4 PLC ± -
MATERIAL		FINISH		WEIGHT
-		-		A1 00779 C=212559

STE TE Connectivity
CONNECTOR SAVER, AMPLIMITE 9 POSITION, SIZE 1, SERIES 109

CUSTOMER DRAWING SCALE 4:1 SHEET 1 OF 1 REV S

Mouser Electronics

Authorized Distributor

Click to View Pricing, Inventory, Delivery & Lifecycle Information:

[TE Connectivity:](#)

[212559-1](#)