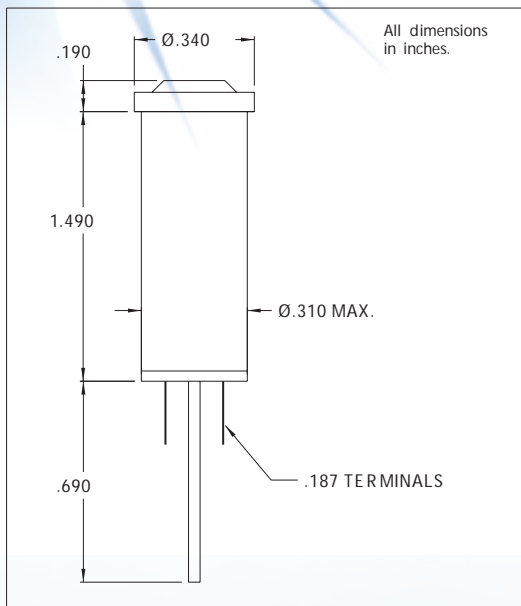


2110QA, 2111QA, 2112QA, 2113QA Series Non-Relampable Neon Indicator Lights

DESCRIPTION AND FEATURES



Mounting: Ø.310 MIN., supplied with push-on speednut SN1287.

Terminals: Quick-connect, tinned brass, .187 x .020

Lens: Polycarbonate

Bezel: White nylon. For black finish add "X" after the series letter(s).

Housing: White Nylon

| Lens Color | Incandescent | |
|------------|---------------------------|---------------------------|
| | Model No. (105-125VAC) | Model No. (208-250VAC) |
| Red | 2110QA1 | 2111QA1 |
| Clear | 2110QA2 | 2111QA2 |
| Amber | 2110QA3 | 2111QA3 |
| White | 2110QA4 | 2111QA4 |
| Green | 2112QA5* | 2113QA5* |
| Lamp | C 2A+Resistor | C 2A+R resistor |

* Incorporates G2B lamp and resistor.
 Underwriters Laboratories (UL) File No. E20325
 Canadian Standards Association (CSA) File No. LR13346