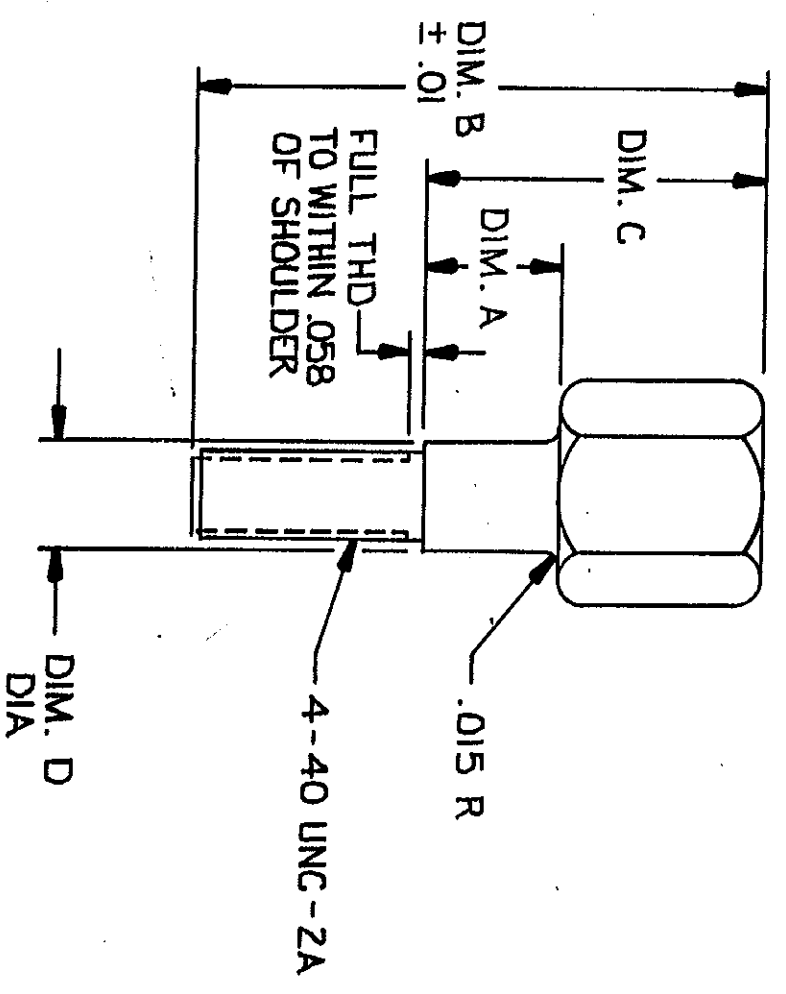
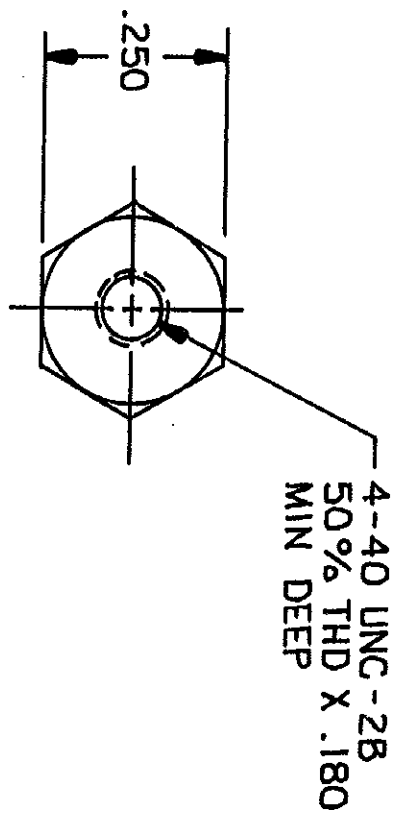


THIS DRAWING IS UNPUBLISHED. RELEASED FOR PUBLICATION
 © COPYRIGHT 19 BY AMP INCORPORATED, HARRISBURG, PA. ALL INTERNATIONAL RIGHTS RESERVED. AMP PRODUCTS MAY BE COVERED BY U.S. AND FOREIGN PATENTS AND/OR PATENTS PENDING.



REVISIONS				AA	10/7	
P	F	ZONE	LTR	DESCRIPTION	DATE	APPROVED
3	✓	6	6	REVISE ECN AA-3022	8-29-86	VS

ABSOLUTE	.185 - .181	.457	.75	.218		-4
	.144 - .138	.347	.64	.108		-2
	.144 - .138	.457	.75	.218		229995-1

UNLESS OTHERWISE SPECIFIED DIMENSIONS ARE IN INCHES. TOLERANCES ON: DECIMALS ± .005 ANGLES		CONTRACT NO		NAME	
MATERIAL ZINC PLATE W/YELLOW CHROMATE OVER STEEL FINISH		DR S. Porabawala 5-14-85		AMP INCORPORATED Harrisburg, Pa.	
APPD		CHK		STAND-OFF, STUD, MTG	
DSGN APPD				FSCM NO 00779	
OTHER APPD				DRAWING NO 229995	

AMP 1470-17

SCALE 4:1

SHEET 1 OF 1

CUSTOMER DRAWING