

Accessories (Continued)

Male Screw Retainers for Metal-Shell Connectors

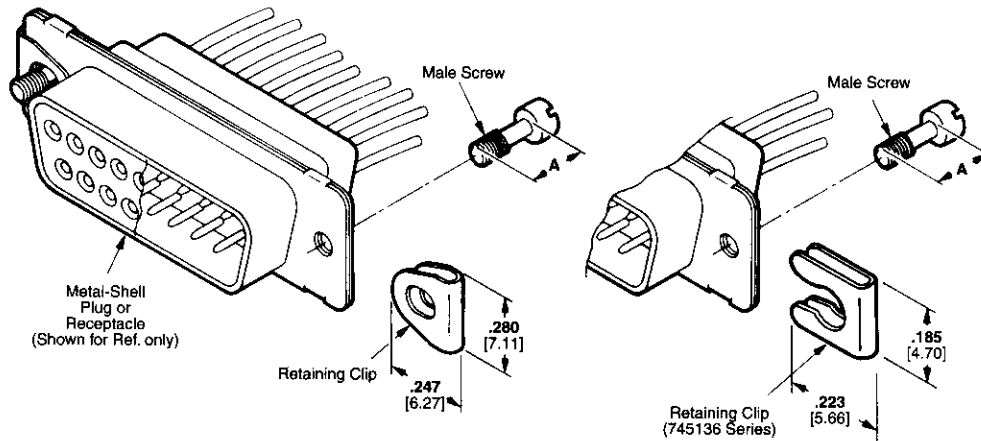
Material and Finish

Male Screw — Steel, zinc plated clear or yellow chromate

Retaining Clip — .012 [0.31] stainless steel

Technical Documents

Instruction Sheet — 408-7837



Male Screw Finish	Thread Size	Dimension A	Male Screw Retainer Kit No.	
			Individual	Bulk Packed*
Yellow Chromate	4-40	.220 5.59	205980-1	205980-3
		.200 5.08	745136-1	745136-2
	M3 (Metric)	.225 5.72	207871-1	—
	M2.6 (Metric)	.225 5.72	750035-1	—
	Clear Chromate	4-40	.220 5.59	205980-4
.200 5.08			745136-3	745136-4

*Each part is individually bulk packed for multiple kit orders.

- Notes:**
1. All parts are packaged unassembled.
 2. Each kit is comprised of two male screws and two retaining clips. Male screw retainers are also furnished as part of cable clamp kits (pages 5148 and 5149).
 3. Male screw retainers mate with female screwlocks (page 5148) and with metal-shell board mount connectors featuring 4-40 threaded inserts or female screwlocks.
 4. Retaining clip must be assembled onto connector flanges with threaded hole toward wire side of connector.

Pin and Socket Connectors

Stainless Steel Kit

Male Screw Retainer Kits

Materials

All Parts — Stainless steel, passivated per QQ-P-35B.

AMP Part Number 211883-5 or
MIL Part Number M24308/25-6P

Notes:

1. Each kit includes two screws and two retainers.
2. Retainer is assembled onto connector flange with threaded hole toward the wire side of the connector.

