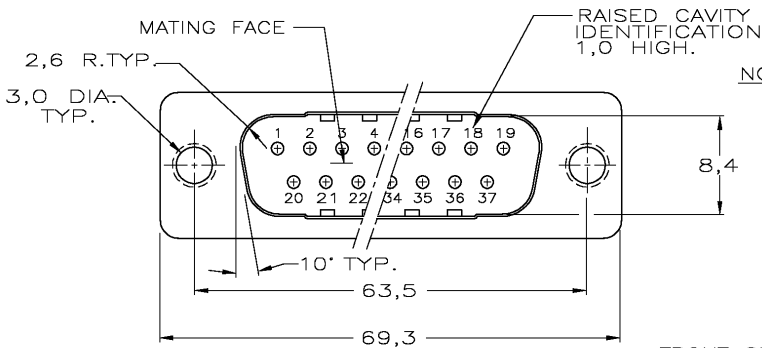


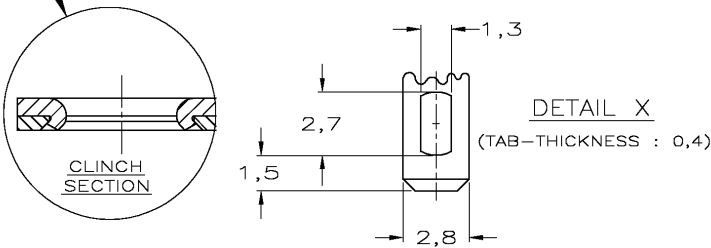
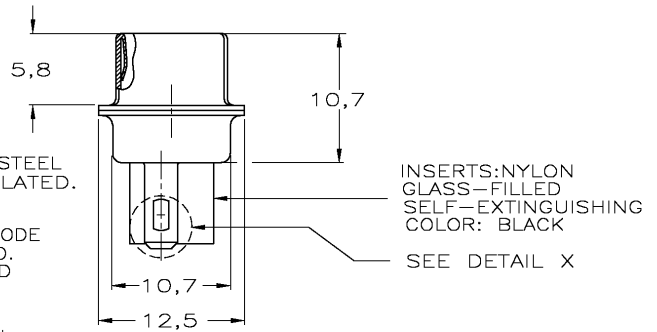
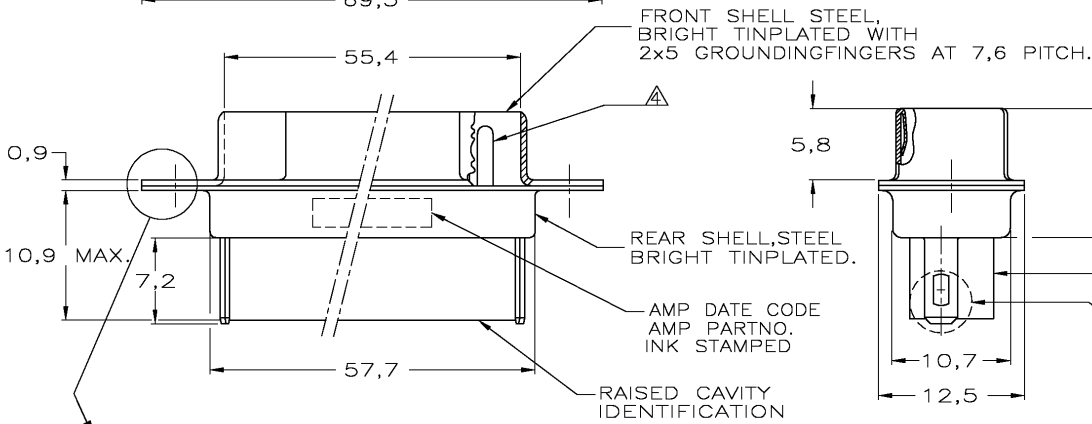
DO NOT SCALE  
DIMENSIONS IN mm

METRIC

THIRD ANGLE  
PROJECTION



- NOTES: 1 THIS PLUG ACCEPTS SIZE 20 PIN CONTACTS  
 2 MAXIMUM WIRE INSULATION RECOMMENDED FOR USE WITH THIS PLUG IS 1,73 DIA. MAX..  
 3 RETENTION TINES ARE AN INTEGRAL PART OF INSERT.  
 4 CONTACTS SHOWN FOR ILLUSTRATION ONLY, NO PART OF CONNECTOR PACKAGE, MUST BE ORDERED SEPARATELY.  
 5 FOLLOWING INSERTION/REMOVAL TOOLS ARE RECOMMENDED FOR USE WITH THESE CONNECTORS:
- |                           |                           |
|---------------------------|---------------------------|
| 32-28AWG/28-24AWG CONT's  | 24-20AWG CONTACTS         |
| 91067-3 INSERTION/REMOVAL | 91067-2 INSERTION/REMOVAL |
| 726363-1 INSERTION ONLY   | 726363-1 INSERTION ONLY   |
|                           | 726364-1 REMOVAL ONLY     |



SEE DRAWING	SEE DRAWING	215713-1
FINISH	MATERIAL	PARTNUMBER
-	-	-
CUSTOMER DRAWING FOR REFERENCE ONLY WILL NOT BE UPDATED		
© COPYRIGHT 19 - BY AMP HOLLAND B.V.		
ALL INTERNATIONAL RIGHTS RESERVED. AMP PRODUCTS MAY BE COVERED BY U.S. AND FOREIGN AND/OR PATENTS PENDING.		
THIS DRAWING IS UNPUBLISHED		
RELEASED FOR PUBLICATION		
TYCO ELECTRONICS NEDERLAND B.V. 's-HERTOGEBOSCH, THE NETHERLANDS.		
C1	ECR-07-007766	JvdH DC 03 APR 07
C	EH01-1520-03	JvdH PDJ 22 DEC 03
LTR	REVISION RECORD	DR. CHK. DATE
DR.: L.V.D.HENDEN.	CHK.: C.V.TILBURG.	APP.: L.V.SOEST.
DATE: 30-06-87	DATE: 07-07-87	DATE: 28-07-87
DWG. No. C-215713		REV. LTR. C1
SHEET 1 OF 1		A3