

2-conductor through terminal block

Item No.: 285-195



2-conductor through terminal block

Marking

RoHS ✓
Compliant

Business data

Supplier	WAGO
Item no.	285-195
GTIN / EAN	4044918452564
Content	1
Order amount	5
Customer item number	

Notes

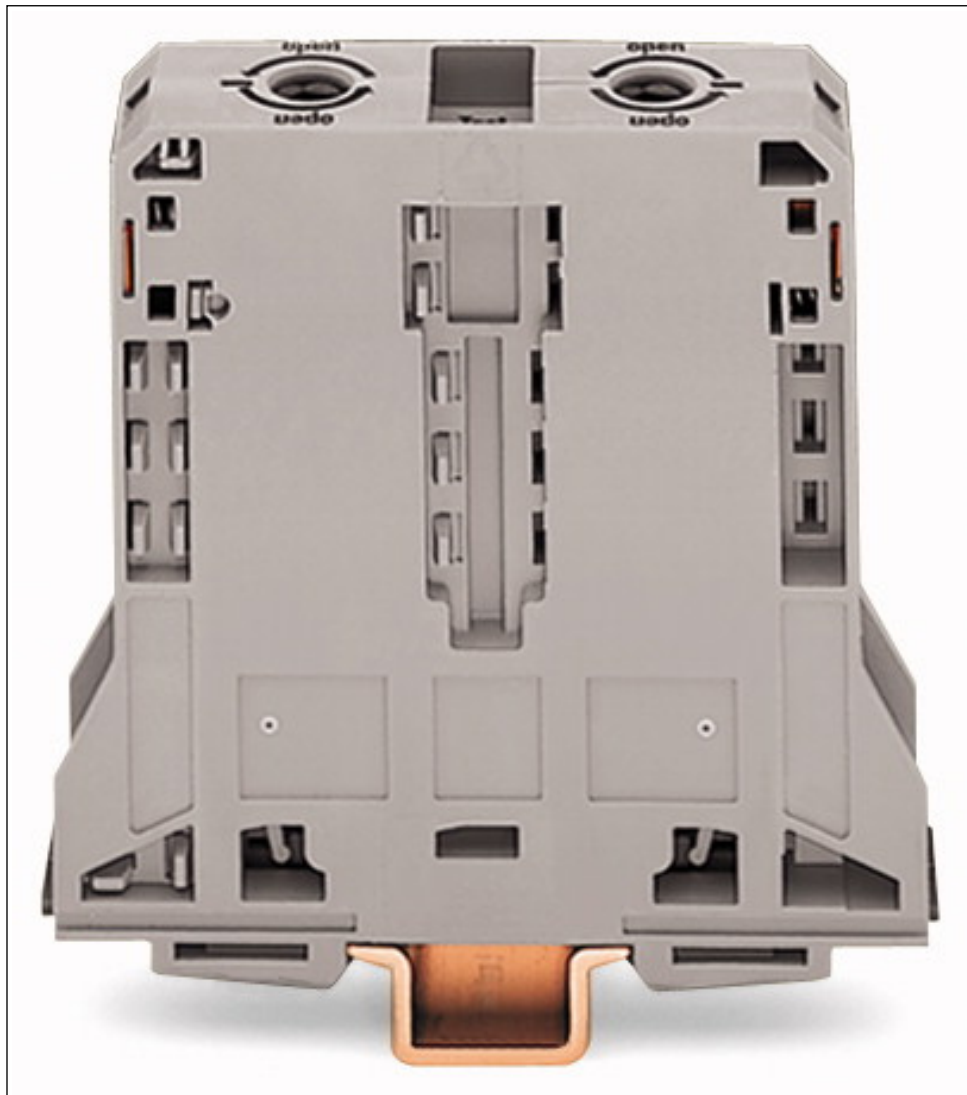
Technical data

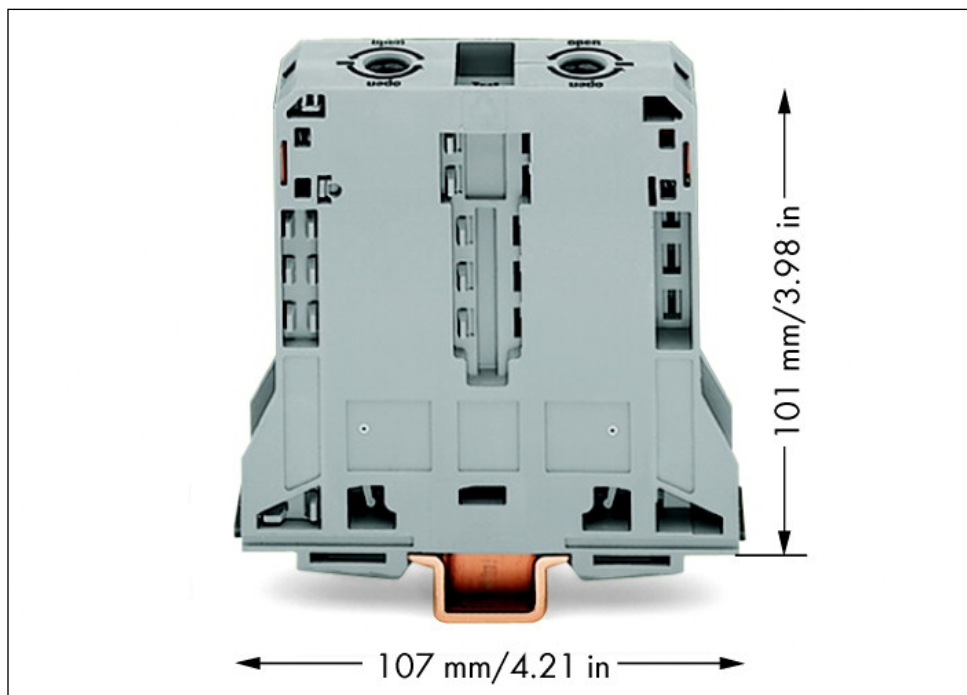
Miscellaneous

Total number of connection points	2
Total number of potentials	1
Color	gray
Ratings according to 1	IEC/EN 60947-7-1
Pollution degree (1)	3
Rated voltage EN (1) [V]	1000 [V]
Rated surge voltage (1) [kV]	8 [kV]
Nominal current [A]	232 [A]
Connection technology (1)	POWER CAGE CLAMP
Solid sizes 1	25 ... 95 mm ² / 4 ... 4/0 AWG

Technical data	
<i>Strip length 1</i>	<i>35 mm / 1.38 in</i>
<i>Type of wiring</i>	<i>Side-entry wiring</i>
<i>Design</i>	<i>horizontal</i>
<i>Marking level</i>	<i>Side marking</i>
<i>Insulating material</i>	<i>Polyamide 66 (PA 66)</i>
<i>Fire load [MJ]</i>	<i>3.564 [MJ]</i>
<i>Weight [g]</i>	<i>264.1 [g]</i>
<i>Width</i>	<i>25 mm / 0.984 in</i>
<i>Height from upper-edge of DIN-rail [mm]</i>	<i>101 [mm]</i>
<i>Height from upper-edge of DIN-rail</i>	<i>101 mm / 3.976 in</i>
<i>Length</i>	<i>107 mm / 4.213 in</i>
<i>Type of mounting</i>	<i>DIN 35 x 15 carrier rail</i>
<i>Safety information 1</i>	<i>only on DIN 35 x 15 rail</i>

Images & drawings





Address

WAGO Kontakttechnik GmbH & Co. KG

Hansastr. 27

32423 Minden

Telefon: 0571/887-0

Fax: 0571/887-169

<http://www.wago.com>

© WAGO Kontakttechnik GmbH & Co. KG

Technische Änderungen und Irrtümer vorbehalten.