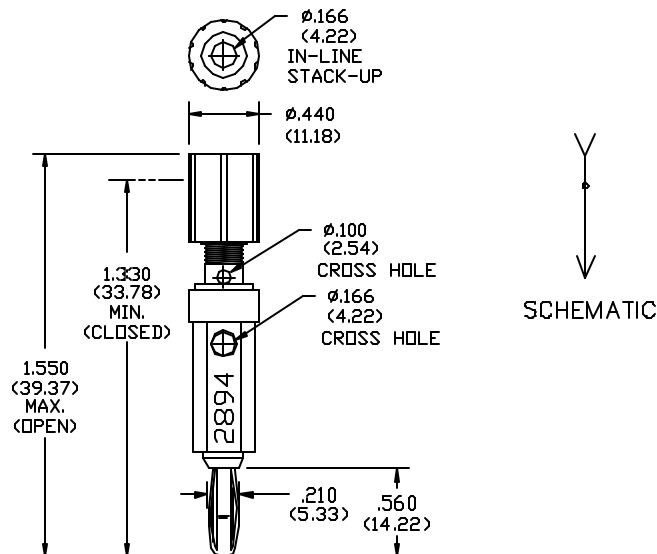


## Model 2894 Binding Post To Single Banana Plug



### FEATURES:

- Features insulated binding post for rapid mounting and interchangeability of components.
- Center cross hole 4.2 (.166) dia. Provides side stackup connection.

### MATERIALS:

Upper Conn.: Binding Post – Insulated

Material: Binding Post Body – Brass per QQ-B-626, Alloy 360, ½ Hard.

Finish: Nickel plated per QQ-N-290, Class 2, 200/300 micro-inches.

Insulation: Polycarbonate. Color: See Ordering Information.

Insulation: ABS molded to binding post and banana plug body. Color: Black.

Marking: “2894 POMONA ELECTRONICS CALIF.”

Lower Conn.: Banana Plug

Material: Spring – Beryllium Copper per QQ-C-533, Alloy 172, Cond. Plug Body – Brass per QQ-B-626, Alloy 360, ½ Hard

Finish: Nickel plated per QQ-N-290, Class 2, 200/300 micro-inches.

### RATINGS:

Operating Temperature: +50°C. (+122°F.) Max.

Operating Voltage: 2500 VDC

Current: 15 Amperes

### ORDERING INFORMATION: Model 2894-\*

\*=Color, -0 Black, -2 Red

Ordering Example: 2894-2 Color is Red.

Other colors available on special request.

All dimensions are in inches. Tolerances (except noted): .xx = ±.02” (.51 mm), .xxx = ± .005” (.127 mm).

All specifications are to the latest revisions. Specifications are subject to change without notice.

Registered trademarks are the property of their respective companies. Made in USA

# Mouser Electronics

Authorized Distributor

Click to View Pricing, Inventory, Delivery & Lifecycle Information:

Pomona:

[2894-2](#) [2894-0](#)