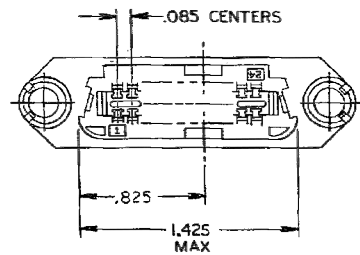
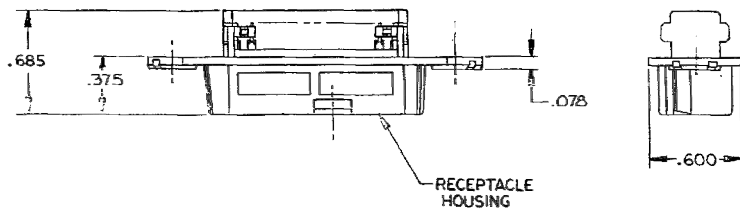
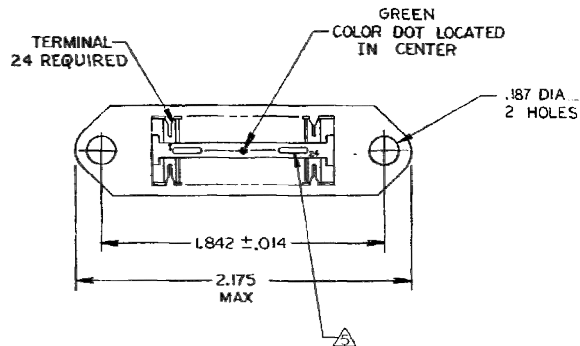


THIS DRAWING IS UNPUBLISHED. RELEASED FOR PUBLICATION
 © COPYRIGHT BY TYCO ELECTRONICS CORPORATION. ALL RIGHTS RESERVED.

LOC		DIST		REVISIONS			
P	LTR	DESCRIPTION	DATE	DWN	APVD		
GP	00	L	REVISED PER ECC-08-007327	26JAN2009	ZMR	WLM	



1. THE CONTACT SURFACES OF THE TERMINALS ARE COATED WITH LUBRICANT.
2. ALL DIMENSIONS SHOWN ARE FOR REFERENCE ONLY UNLESS OTHERWISE SPECIFIED.
3. MATERIAL:
 HOUSING - THERMOPLASTIC (BLACK)
 TERMINALS - HIGH STRENGTH COPPER ALLOY PLATED WITH EITHER .000030 MIN GOLD OR GOLD FLASH OVER PALLADIUM NICKEL .000030 MIN TOTAL, ON CONTACT MATING SURFACE. .000050 MIN NICKEL UNDERPLATE OVER ENTIRE TERMINAL.
4. WIRE SIZE: 22 AWG SOLID OR 22 AWG 7 STRANDS OF COPPER CONDUCTORS. MAX INSULATION DIAMETER OF .045 IS ACCEPTABLE FOR MOST APPLICATIONS.
5. CORING MAY OR MAY NOT APPEAR AND IS AT THE DISCRETION OF TYCO ELECTRONICS.

THIN FLANGE	2-552322-1
DESCRIPTION	PART NO

THIS DRAWING IS A CONTROLLED DOCUMENT.		DWN: STEPHEN DOSS 1-2-80	Tyco Electronics Corporation Harrisburg, PA 17105-3608	
DIMENSIONS: INCHES		CHK: V.E. SLACK 1-3-80	RCPT ASSY, 24 POSITIONS, C SLOT W/ ø.187 HOLES, CHAMP-LOK	
TOLERANCES UNLESS OTHERWISE SPECIFIED:		APVD: B.G. WARD 1-3-80	PRODUCT SPEC	
0 PLC ± -	1 PLC ± -	APPLICATION SPEC	RESTRICTED TO	
2 PLC ± -	3 PLC ± -	WEIGHT	SIZE: A2	CAGE CODE: 00779
4 PLC ± -	ANGLES ± -	CUSTOMER DRAWING	DRAWING NO: 552322	REV: -
MATERIAL		SCALE: NTS		SHEET: 1 OF 1
FINISH		REV: -		

552322

Mouser Electronics

Authorized Distributor

Click to View Pricing, Inventory, Delivery & Lifecycle Information:

[TE Connectivity:](#)

[2-552322-1](#)