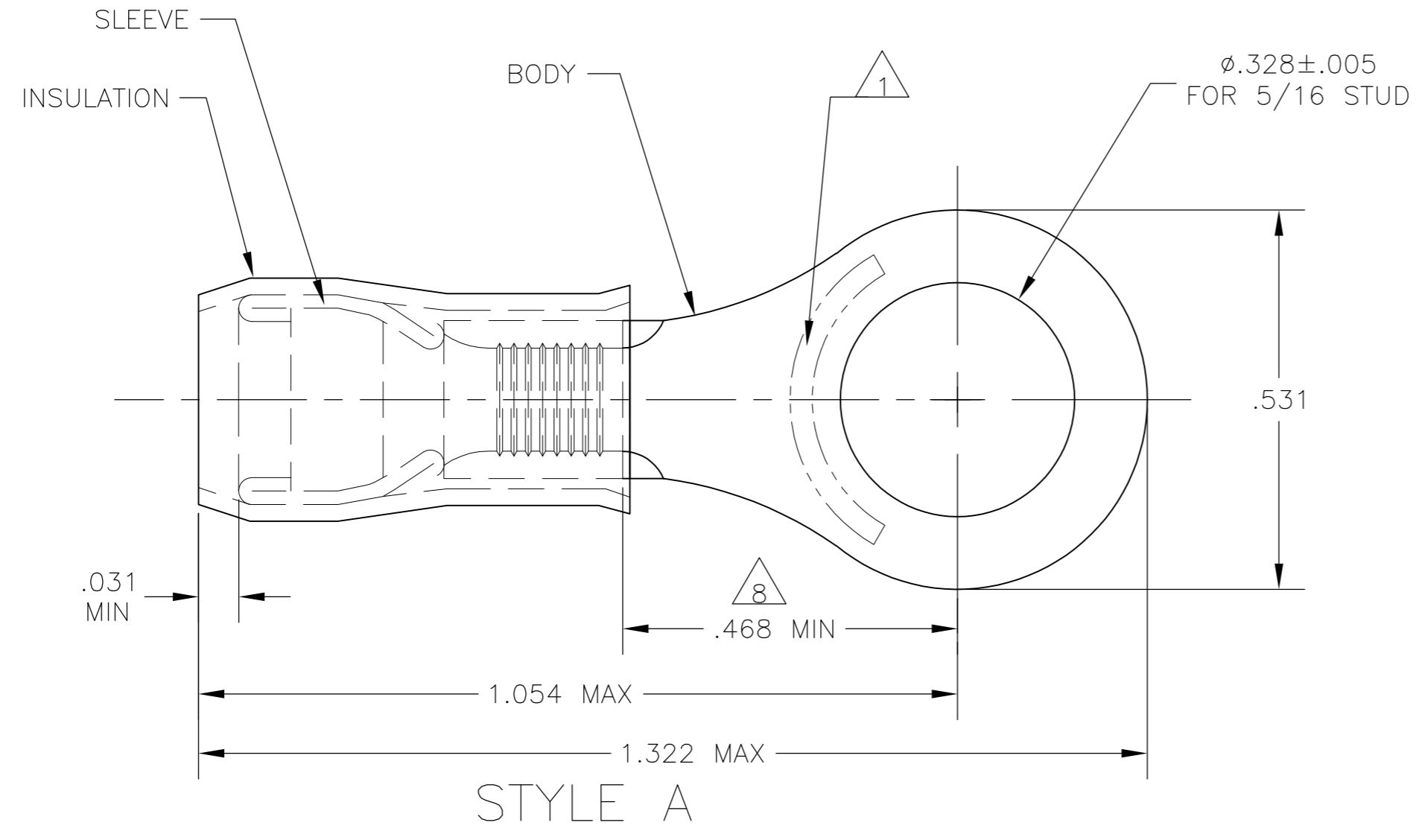
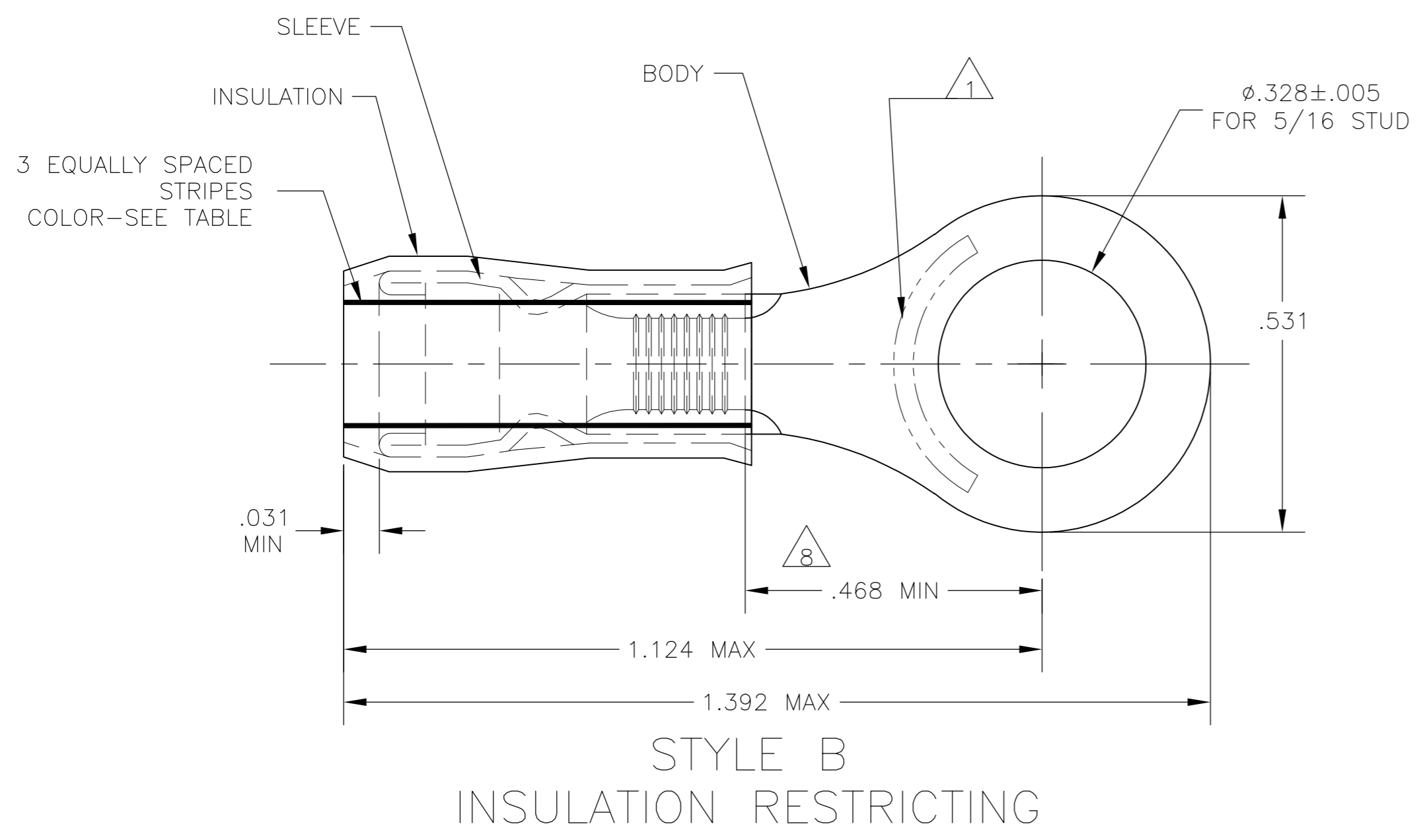


THIS DRAWING IS UNPUBLISHED. RELEASED FOR PUBLICATION  
 © COPYRIGHT - By - ALL RIGHTS RESERVED.

LOC	DIST	REVISIONS					
		P	LTR	DESCRIPTION	DATE	DWN	APVD
G	14		U	REVISED PER ECO-14-015277	21FEB2015	NK	DR



- 1 STAMP "AMP - SEE TABLE" APPROX AS SHOWN.
- 2 WIRE INSULATION DIA: SEE TABLE.
- 3 TONGUE MATERIAL THK: .040±.002.
- 4 BODY: TIN PLATE .000100 MIN EXT THK PER ASTM B545.
- 5 SLEEVE: TIN PLATE .000100 MIN EXT THK PER ASTM B545.
- 6 SLEEVE: NICKEL PLATE PER QQ-N-290.
- 7 BODY & SLEEVE- CU PER ASTM B152 INSULATION - NYLON PER ASTM D4066 COLOR - YELLOW.
- 8 APPLIES FROM EDGE OF METAL WIRE BARREL TO CENTER OF STUD HOLE.
- 9 MEETS MS25036-113, CLASS 1 & 2.
- 10 MEETS MS25036-113, CLASS 2.
- 11 MEETS M7928/1-60, CLASS 1 & 2.
- 12 MEETS M7928/1-67, CLASS 1 & 2.



QTY	PACKAGE TYPE	STAMPING	WIRE INSUL DIA	WIRE SIZE	STRIPE COLOR	STYLE	BODY FINISH	SLEEVE FINISH	PART NO
50	LOOSE PIECE, BOX	12-10	.150-.230	12-10	--	A		6	8-320576-2
---	LOOSE PIECE	10	.119-.200	10	BROWN	B	4	6, 12	2-320576-3
---	LOOSE PIECE	12	.095-.200	12	YELLOW	B		6, 11	2-320576-2
2500	ON TAPE & REEL	12-10	.150-.230	12-10	--	A		5, 10	2-320576-1
---	LOOSE PIECE	12-10	.150-.230	12-10	--	A		5, 9	320576

<b>CUSTOMER SERVICE SYSTEMS</b>		MAX RECOMMENDED OPERATING TEMPERATURE: 105°C MAX	THIS DRAWING IS A CONTROLLED DOCUMENT.		DWN JR RUTH 23DEC09	<b>TE</b> TE Connectivity	
FOR ADDITIONAL PRODUCT INFORMATION OR COPIES OF DRAWINGS AND TECHNICAL DOCUMENTS	PRODUCT INFORMATION CENTER 1-800-522-6752	VOLTAGE RATING: 300 VOLT MAX	DIMENSIONS: INCHES	TOLERANCES UNLESS OTHERWISE SPECIFIED: 0 PLC ± - 1 PLC ± - 2 PLC ± - 3 PLC ± .008 4 PLC ± - ANGLES ± -	CHK T MICHIELUTTI 23DEC09		
FOR APPLICATION TOOLING INFORMATION	TOOLING ASSISTANCE CENTER 1-800-722-1111	CIRCULAR MIL AREA: 2.62-6.64mm² [5,180-13,100] STRANDED OR SOLID		MATERIAL	APVD T MICHIELUTTI 23DEC09	PRODUCT SPEC	SIZE A2
FOR ORDER ENTRY	1-800-526-5142			FINISH	APPLICATION SPEC	WEIGHT	CAGE CODE 00779
					SCALE 5:1	DRAWING NO C-320576	RESTRICTED TO
					CUSTOMER DRAWING	SHEET 1 of 1	REV U

# Mouser Electronics

Authorized Distributor

Click to View Pricing, Inventory, Delivery & Lifecycle Information:

[TE Connectivity:](#)

[2-320576-3](#)