

4

3

2

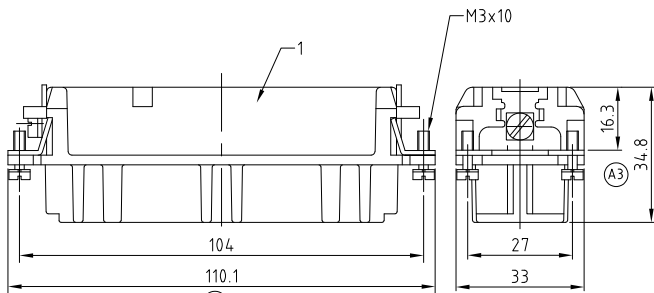
1

THIS DRAWING IS UNPUBLISHED. RELEASED FOR PUBLICATION
 COPYRIGHT - BY TYCO ELECTRONICS CORPORATION. ALL INTERNATIONAL RIGHTS RESERVED.

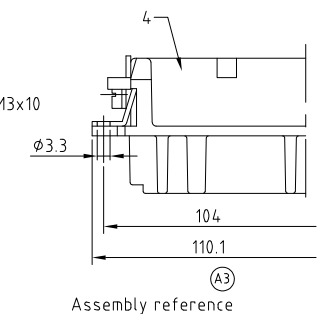
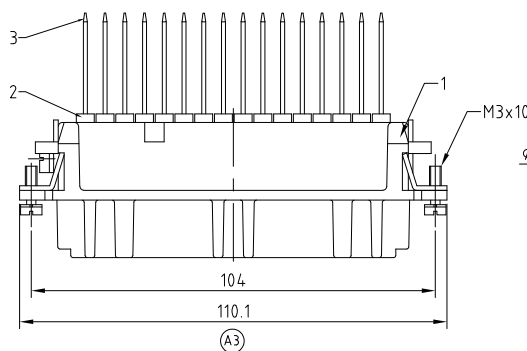
LOC AI DIST -

REVISIONS

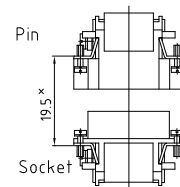
P	LTR	DESCRIPTION	DATE	DWN	APVD
A3		Dimension changed EGD0-1121-04	16.11.04	SM	SM
A4		REVISED PER ECO-11-002591	15FEB11	HMR	MM



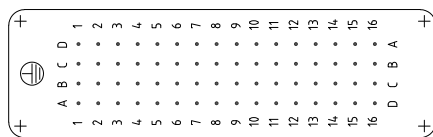
Kontaktanordnung Ansicht Anschlußseite
Contact arrangement view from termination side



Assembly reference



Pin
 Socket
 × Distance for a safe contact-max: 21 mm



Notes,

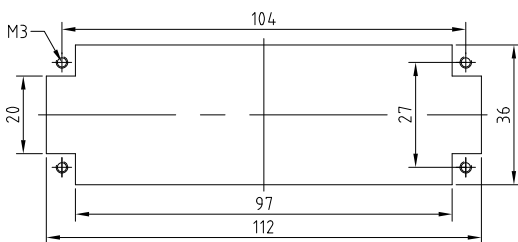
- ⚠ Material: insert, PC
UL-File Nr.: E101788(R)
- ⚠ use contact-type: HD.M

Bemerkungen,

- ⚠ Material: Einsatz: PC
UL-File Nr.: E101788(R)
- ⚠ Kontakte: Serie HD.M

Montageausschnitt bei Verwendung ohne Gehäuse

Panel cut-out for contact insert when used without housing



1	DESCRIPTION / BENENNUNG	MATERIAL	COLOR / FARBE	ITEM NO. POS.	REMARKS / BEMERKUNGEN
1	Buchseinsatz HD/socket insert	gray		4	without mounting screws / with 4xφ3.3
64	Kontaktbuchse mit Wickelpfosten/ con. socket with wire wrap terminal			3	
8	Deckelplatte/cover tab	gray		2	
1	Buchseinsatz HD/socket insert	gray		1	
0-1	4-12-3				

HD.64.Bu.C/OBS	HD-WW.64.Bu.CCW	HD.64.Bu.C	THIS DRAWING IS A CONTROLLED DOCUMENT.		DWN 18.06.1997	Tyco Electronics Corporation Harrisburg, Pa 17105-3608
			Schweiger		CHK 02.05.98	
ORDERING TEXT / BESTELLTTEXT			DIMENSIONS: mm	TOLERANCES UNLESS OTHERWISE SPECIFIED:	NAME	
			0 PLC ±0.15	0 ISO 80/1	108-74002	
			1 PLC ±0.15	1 ISO 2148 - MH - E	PRODUCT SPEC	
			2 PLC ±0.15	2 ISO 15901 - 5/5	114-74000	
			3 PLC ±0.15	3 ISO 15901 - 5/5	APPLICATION SPEC	
			ANGLES ±0.15	±0.15	SIZE CAGE CODE DRAWING NO	
			FINISH	±0.15	A3 00779 C-1103033	
					RESTRICTED TO	
					CUSTOMER DRAWING	
					SCALE 1:1 SHEET 1 OF 1 REV A4	