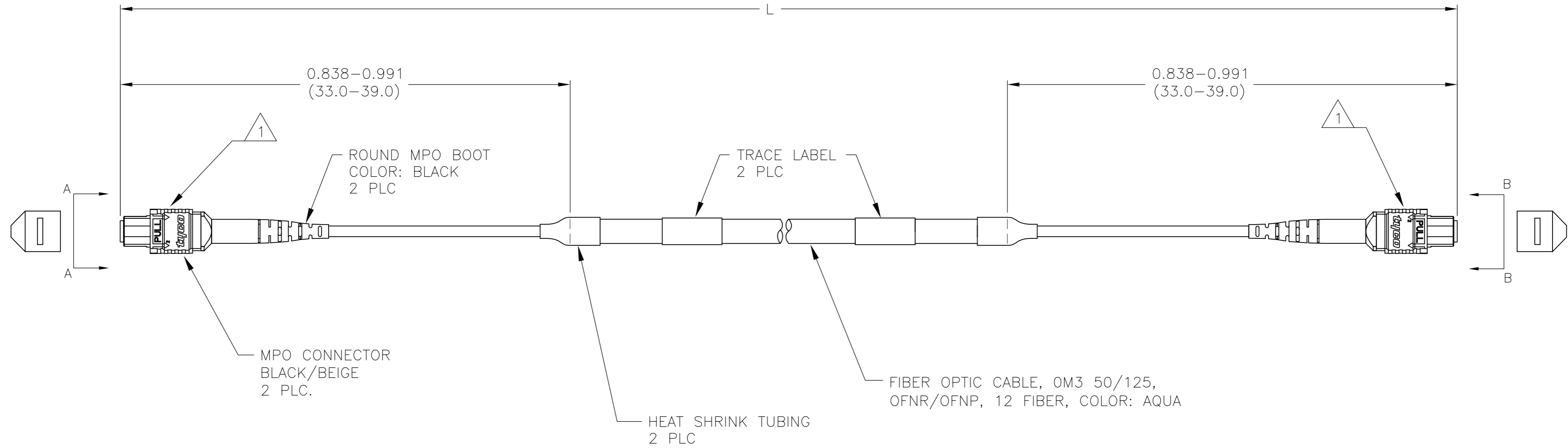
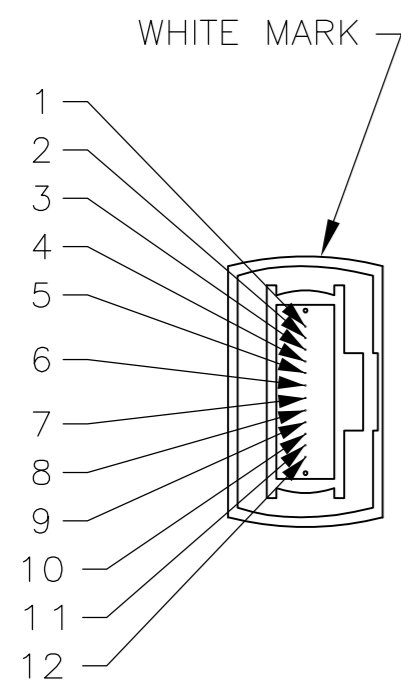


THIS DRAWING IS UNPUBLISHED. RELEASED FOR PUBLICATION
 © COPYRIGHT - By - ALL RIGHTS RESERVED.

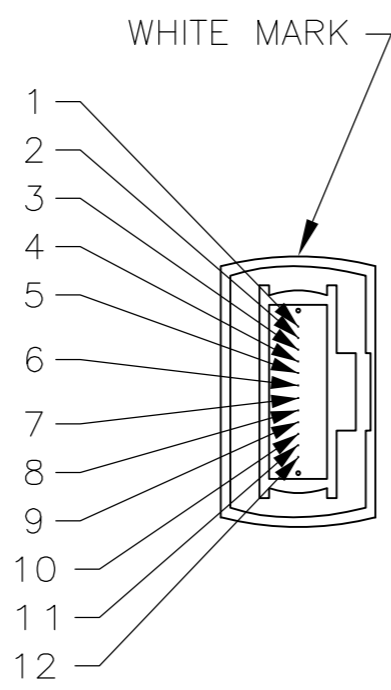
LOC		DIST		REVISIONS			
P	LTR	DESCRIPTION		DATE	DWN	APVD	
HP	00	B		REVISE PER ECO-11-022401	07NOV11	JS	JS



PAIRS FLIPPED FIBER PATH



FIBER #	COLOR
1	BLUE
2	ORANGE
3	GREEN
4	BROWN
5	SLATE
6	WHITE
7	RED
8	BLACK
9	YELLOW
10	VIOLET
11	ROSE
12	AQUA



FIBER #	COLOR
1	ORANGE
2	BLUE
3	BROWN
4	GREEN
5	WHITE
6	SLATE
7	BLACK
8	RED
9	VIOLET
10	YELLOW
11	AQUA
12	ROSE

VIEW A-A
NOT TO SCALE

VIEW B-B
NOT TO SCALE


THIS DRAWING IS A CONTROLLED DOCUMENT.		DWN J. SHIPE 31OCT2011		TE Connectivity		
DIMENSIONS: mm		CHK J. SHIPE 31OCT2011		NAME CABLE ASSEMBLY, FIBER OPTIC, OM3 50/125, 12 FIBER, OFNR/OFNP, PAIRS FLIPPED, MPO TO MPO		
TOLERANCES UNLESS OTHERWISE SPECIFIED: 0 PLC ± - 1 PLC ± - 2 PLC ± - 3 PLC ± - 4 PLC ± - ANGLES ± -		APVD J. SHIPE 31OCT2011		SIZE A2	CAGE CODE 00779	DRAWING NO C=1907404
MATERIAL -		FINISH -		WEIGHT -	SCALE NTS	SHEET 1 of 4
CUSTOMER DRAWING			RESTRICTED TO -	REV B		

THIS DRAWING IS UNPUBLISHED. RELEASED FOR PUBLICATION
 © COPYRIGHT - By - ALL RIGHTS RESERVED.

LOC	DIST	REVISIONS					
HP	00	P	LTR	DESCRIPTION	DATE	DWN	APVD
		-	-	SEE SHEET 1	-	-	-

PART NUMBER	L (METERS)	L (FEET)	MPO (NO PINS) BLACK/BEIGE		MPO (NO PINS) BLACK/BEIGE	
			IL (dB)	RL (dB)	IL (dB)	RL (dB)
1907404-1	3.048-3.353	10.00-11.00	0.71	23	0.71	23
1907404-2	6.096-6.706	20.00-22.00	0.72	23	0.72	23
1907404-3	9.144-9.754	30.00-32.00	0.73	23	0.73	23
1907404-4	12.192-12.802	40.00-42.00	0.74	23	0.74	23
1907404-5	15.240-15.850	50.00-52.00	0.75	23	0.75	23
1907404-6	18.288-18.898	60.00-62.00	0.76	23	0.76	23
1907404-7	21.336-21.946	70.00-72.00	0.77	23	0.77	23
1907404-8	24.384-24.994	80.00-82.00	0.78	23	0.78	23
1907404-9	27.432-28.042	90.00-92.00	0.79	23	0.79	23
1-1907404-0	30.480-31.394	100.00-103.00	0.80	23	0.80	23
1-1907404-1	33.528-34.442	110.00-113.00	0.81	23	0.81	23
1-1907404-2	36.576-37.490	120.00-123.00	0.82	23	0.82	23
1-1907404-3	39.624-40.538	130.00-133.00	0.83	23	0.83	23
1-1907404-4	42.672-43.586	140.00-143.00	0.84	23	0.84	23
1-1907404-5	45.720-46.634	150.00-153.00	0.85	23	0.85	23
1-1907404-6	48.768-49.682	160.00-163.00	0.86	23	0.86	23
1-1907404-7	51.816-52.730	170.00-173.00	0.87	23	0.87	23
1-1907404-8	54.864-55.778	180.00-183.00	0.88	23	0.88	23
1-1907404-9	57.912-58.826	190.00-193.00	0.89	23	0.89	23
2-1907404-0	60.960-62.179	200.00-204.00	0.90	23	0.90	23
2-1907404-1	64.008-65.227	210.00-214.00	0.90	23	0.90	23
2-1907404-2	67.056-68.275	220.00-224.00	0.91	23	0.91	23
2-1907404-3	70.104-71.323	230.00-234.00	0.92	23	0.92	23
2-1907404-4	73.152-74.371	240.00-244.00	0.93	23	0.93	23
2-1907404-5	76.200-77.419	250.00-254.00	0.94	23	0.94	23
2-1907404-6	79.248-80.467	260.00-264.00	0.95	23	0.95	23
2-1907404-7	82.296-83.515	270.00-274.00	0.96	23	0.96	23
2-1907404-8	85.344-86.563	280.00-284.00	0.97	23	0.97	23
2-1907404-9	88.392-89.611	290.00-294.00	0.98	23	0.98	23
3-1907404-0	91.440-93.269	300.00-306.00	0.99	23	0.99	23
3-1907404-1	94.488-96.378	310.00-316.20	1.00	23	1.00	23
3-1907404-2	97.536-99.487	320.00-326.40	1.01	23	1.01	23
3-1907404-3	100.584-102.596	330.00-336.60	1.02	23	1.02	23
3-1907404-4	103.632-105.705	340.00-346.80	1.03	23	1.03	23
3-1907404-5	106.680-108.814	350.00-357.00	1.04	23	1.04	23
3-1907404-6	109.728-111.923	360.00-367.20	1.05	23	1.05	23
3-1907404-7	112.776-115.032	370.00-377.40	1.06	23	1.06	23
3-1907404-8	115.824-118.140	380.00-387.60	1.07	23	1.07	23
3-1907404-9	118.872-121.249	390.00-397.80	1.08	23	1.08	23
4-1907404-0	121.920-124.358	400.00-408.00	1.09	23	1.09	23
4-1907404-1	124.968-127.467	410.00-418.20	1.10	23	1.10	23
4-1907404-2	128.016-130.576	420.00-428.40	1.11	23	1.11	23
4-1907404-3	131.064-133.685	430.00-438.60	1.12	23	1.12	23
4-1907404-4	134.112-136.794	440.00-448.80	1.13	23	1.13	23
4-1907404-5	137.160-139.903	450.00-459.00	1.14	23	1.14	23
4-1907404-6	140.208-143.012	460.00-469.20	1.15	23	1.15	23
4-1907404-7	143.256-146.121	470.00-479.40	1.16	23	1.16	23
4-1907404-8	146.304-149.230	480.00-489.60	1.17	23	1.17	23
4-1907404-9	149.352-152.339	490.00-499.80	1.18	23	1.18	23
5-1907404-0	152.400-155.448	500.00-510.00	1.19	23	1.19	23

- 1. WHITE MARK ON CONNECTOR BODY INDICATES FIBER ONE SIDE.
- 2. PULLING SOCK IS INSTALLED OVER END ON OUTSIDE OF REEL ONLY. SEE SHEET 4 FOR DETAIL.
- 3. PROTECTIVE MPO HOUSING IS INSTALLED OVER ALL MPO CONNECTORS (DO NOT PULL ON PROTECTIVE COVER) SEE SHEET 4 FOR DETAIL.
- 4. CABLE ASSEMBLIES TESTED AT 850nm.
- 5. A COPY OF TEST DATA WILL BE PLACED INSIDE OR WITH THE UNIT PACKAGE.
- 6. PRODUCT AND PROCESSING MUST MEET REQUIREMENTS OF TE STANDARD TEC-138-702.
- 7. MAXIMUM CONNECTOR INSERTION LOSS IS 0.70dB PLUS CABLE LOSS OF 3.2dB/km WHEN TESTED AT 850nm AND 1.2dB/km WHEN TESTED AT 1300nm.
- 8. MINIMUM CONNECTOR RETURN LOSS IS 23dB WHEN TESTED AT 850nm OR 1300nm.


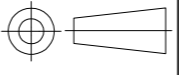
THIS DRAWING IS A CONTROLLED DOCUMENT.		DWN J. SHIPE 20MAY2011	 TE Connectivity	
		CHK J. SHIPE 20MAY2011		
DIMENSIONS: mm		APVD J. SHIPE 20MAY2011	NAME CABLE ASSEMBLY, FIBER OPTIC, OM3 50/125, 12 FIBER, OFNR/OFNP, PAIRS FLIPPED, MPO TO MPO	
TOLERANCES UNLESS OTHERWISE SPECIFIED: 0 PLC ± - 1 PLC ± - 2 PLC ± - 3 PLC ± - 4 PLC ± - ANGLES ± -		PRODUCT SPEC -	SIZE A2	
MATERIAL -		APPLICATION SPEC -	CAGE CODE 00779	DRAWING NO C=1907404
		WEIGHT -	RESTRICTED TO -	
CUSTOMER DRAWING			SCALE NTS	SHEET 2 of 4
			REV B	

1907404

THIS DRAWING IS UNPUBLISHED. RELEASED FOR PUBLICATION
 © COPYRIGHT - By - ALL RIGHTS RESERVED.

LOC	DIST	REVISIONS			
P	LTR	DESCRIPTION	DATE	DWN	APVD
HP	00	SEE SHEET 1	-	-	-

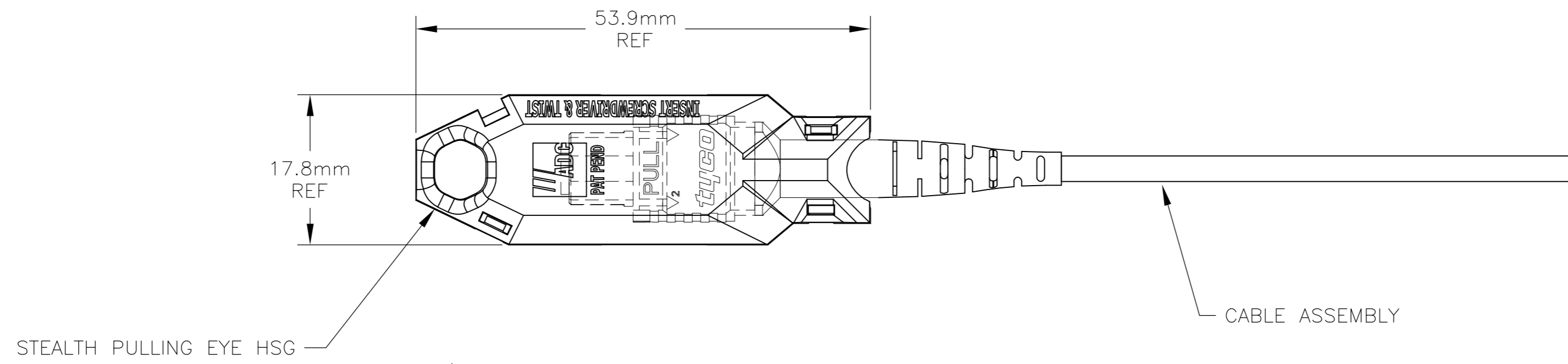
PART NUMBER	L (METERS)	L (FEET)	MPO (NO PINS) BLACK/BEIGE		MPO (NO PINS) BLACK/BEIGE	
			IL (dB)	RL (dB)	IL (dB)	RL (dB)
5-1907404-1	160.020-163.220	525.00-535.50	1.22	23	1.22	23
5-1907404-2	167.640-170.993	550.00-561.00	1.25	23	1.25	23
5-1907404-3	175.260-178.765	575.00-586.50	1.27	23	1.27	23
5-1907404-4	182.880-186.538	600.00-612.00	1.30	23	1.30	23
5-1907404-5	190.500-194.310	625.00-637.50	1.32	23	1.32	23
5-1907404-6	198.120-202.082	650.00-663.00	1.35	23	1.35	23
5-1907404-7	205.740-209.855	675.00-688.50	1.37	23	1.37	23
5-1907404-8	213.360-217.627	700.00-714.00	1.40	23	1.40	23
5-1907404-9	220.980-225.400	725.00-739.50	1.42	23	1.42	23
6-1907404-0	228.600-233.172	750.00-765.00	1.45	23	1.45	23
6-1907404-1	236.220-240.944	775.00-790.50	1.47	23	1.47	23
6-1907404-2	243.840-248.717	800.00-816.00	1.50	23	1.50	23
6-1907404-3	251.460-256.489	825.00-841.50	1.52	23	1.52	23
6-1907404-4	259.080-264.262	850.00-867.00	1.55	23	1.55	23
6-1907404-5	266.700-272.034	875.00-892.50	1.57	23	1.57	23
6-1907404-6	274.320-279.806	900.00-918.00	1.60	23	1.60	23
6-1907404-7	281.940-287.579	925.00-943.50	1.62	23	1.62	23
6-1907404-8	289.560-295.351	950.00-969.00	1.65	23	1.65	23
6-1907404-9	297.180-303.124	975.00-994.50	1.67	23	1.67	23
7-1907404-0	304.800-310.896	1000.00-1020.00	1.69	23	1.69	23
7-1907404-1	10.972-11.582	36.00-38.00	0.74	23	0.74	23
7-1907404-2	13.106-13.716	43.00-45.00	0.74	23	0.74	23
7-1907404-3	14.020-14.630	46.00-48.00	0.74	23	0.74	23
7-1907404-4	21.031-21.641	69.00-71.00	0.77	23	0.77	23
7-1907404-5	22.250-22.860	73.00-75.00	0.77	23	0.77	23
7-1907404-6	23.165-23.775	76.00-78.00	0.77	23	0.77	23
7-1907404-7	24.079-24.689	79.00-81.00	0.78	23	0.78	23
7-1907404-8	24.993-25.603	82.00-84.00	0.78	23	0.78	23
7-1907404-9	25.908-26.518	85.00-87.00	0.78	23	0.78	23
8-1907404-0	26.213-26.823	86.00-88.00	0.78	23	0.78	23
8-1907404-1	27.127-27.737	89.00-91.00	0.79	23	0.79	23
8-1907404-2	30.175-30.785	99.00-101.00	0.80	23	0.80	23
8-1907404-3	31.089-32.003	102.00-105.00	0.80	23	0.80	23
8-1907404-4	47.244-48.158	155.00-158.00	0.85	23	0.85	23
8-1907404-5	56.388-57.302	185.00-188.00	0.88	23	0.88	23
8-1907404-6	74.067-75.286	243.00-247.00	0.94	23	0.94	23
8-1907404-7	10.058-10.668	33.00-35.00	0.73	23	0.73	23
8-1907404-8	20.117-20.727	66.00-68.00	0.76	23	0.76	23
8-1907404-9	28.041-28.651	92.00-94.00	0.79	23	0.79	23
9-1907404-0	28.956-29.566	95.00-97.00	0.79	23	0.79	23
9-1907404-1	32.003-32.917	105.00-108.00	0.80	23	0.80	23
9-1907404-2	34.138-35.052	112.00-115.00	0.81	23	0.81	23
9-1907404-3	35.052-35.966	115.00-118.00	0.81	23	0.81	23
9-1907404-4	36.881-37.795	121.00-124.00	0.82	23	0.82	23
9-1907404-5	39.014-39.928	128.00-131.00	0.82	23	0.82	23
9-1907404-6	46.025-46.939	151.00-154.00	0.85	23	0.85	23

THIS DRAWING IS A CONTROLLED DOCUMENT.		DWN J. SHIPE 31OCT2011	 TE Connectivity	
DIMENSIONS: mm		CHK J. SHIPE 31OCT2011		
		APVD J. SHIPE 31OCT2011	NAME CABLE ASSEMBLY, FIBER OPTIC, OM3 50/125, 12 FIBER, OFNR/OFNP, PAIRS FLIPPED, MPO TO MPO	
TOLERANCES UNLESS OTHERWISE SPECIFIED:		PRODUCT SPEC	SIZE A2	
0 PLC ± -		APPLICATION SPEC	CAGE CODE 00779	DRAWING NO C=1907404
1 PLC ± -		WEIGHT	RESTRICTED TO	
2 PLC ± -		MATERIAL	CUSTOMER DRAWING	
3 PLC ± -		FINISH	SCALE NTS	SHEET 3 OF 4
4 PLC ± -			REV B	
ANGLES ± -				

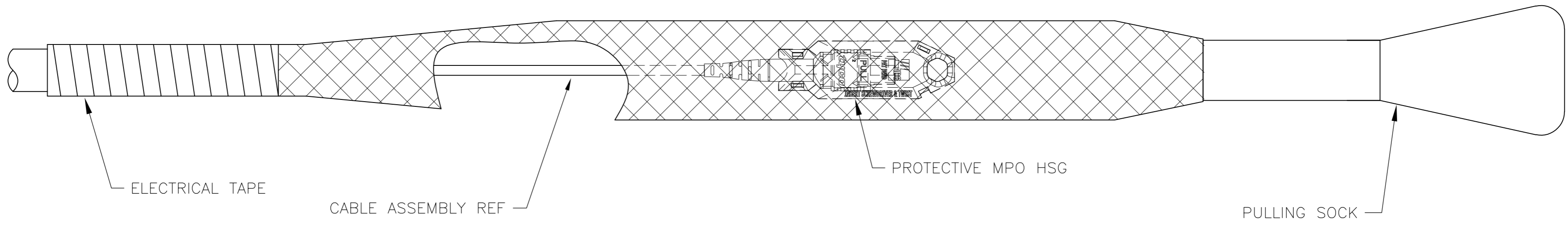
1907404

THIS DRAWING IS UNPUBLISHED. RELEASED FOR PUBLICATION
 © COPYRIGHT - By - ALL RIGHTS RESERVED.

LOC	DIST	REVISIONS					
HP	00	P	LTR	DESCRIPTION	DATE	DWN	APVD
		-	-	SEE SHEET 1	-	-	-



△3 PROTECTIVE MPO HOUSING
 ALL MPO CONNECTORS



△2 PULLING SOCK
 OUTSIDE OF REEL ONLY

THIS DRAWING IS A CONTROLLED DOCUMENT.		DWN	J. SHIPE	31OCT2011		TE Connectivity				
DIMENSIONS: mm		CHK	J. SHIPE	31OCT2011		NAME				
TOLERANCES UNLESS OTHERWISE SPECIFIED:		APVD	J. SHIPE	31OCT2011		CABLE ASSEMBLY, FIBER OPTIC, OM3 50/125, 12 FIBER, OFNR/OFNP, PAIRS FLIPPED, MPO TO MPO				
0 PLC ± - 1 PLC ± - 2 PLC ± - 3 PLC ± - 4 PLC ± - ANGLES ± -		PRODUCT SPEC				SIZE	CAGE CODE	DRAWING NO	RESTRICTED TO	
MATERIAL		FINISH			WEIGHT	A2 00779 C=1907404				
CUSTOMER DRAWING					SCALE	NTS	SHEET	4 OF 4	REV	B