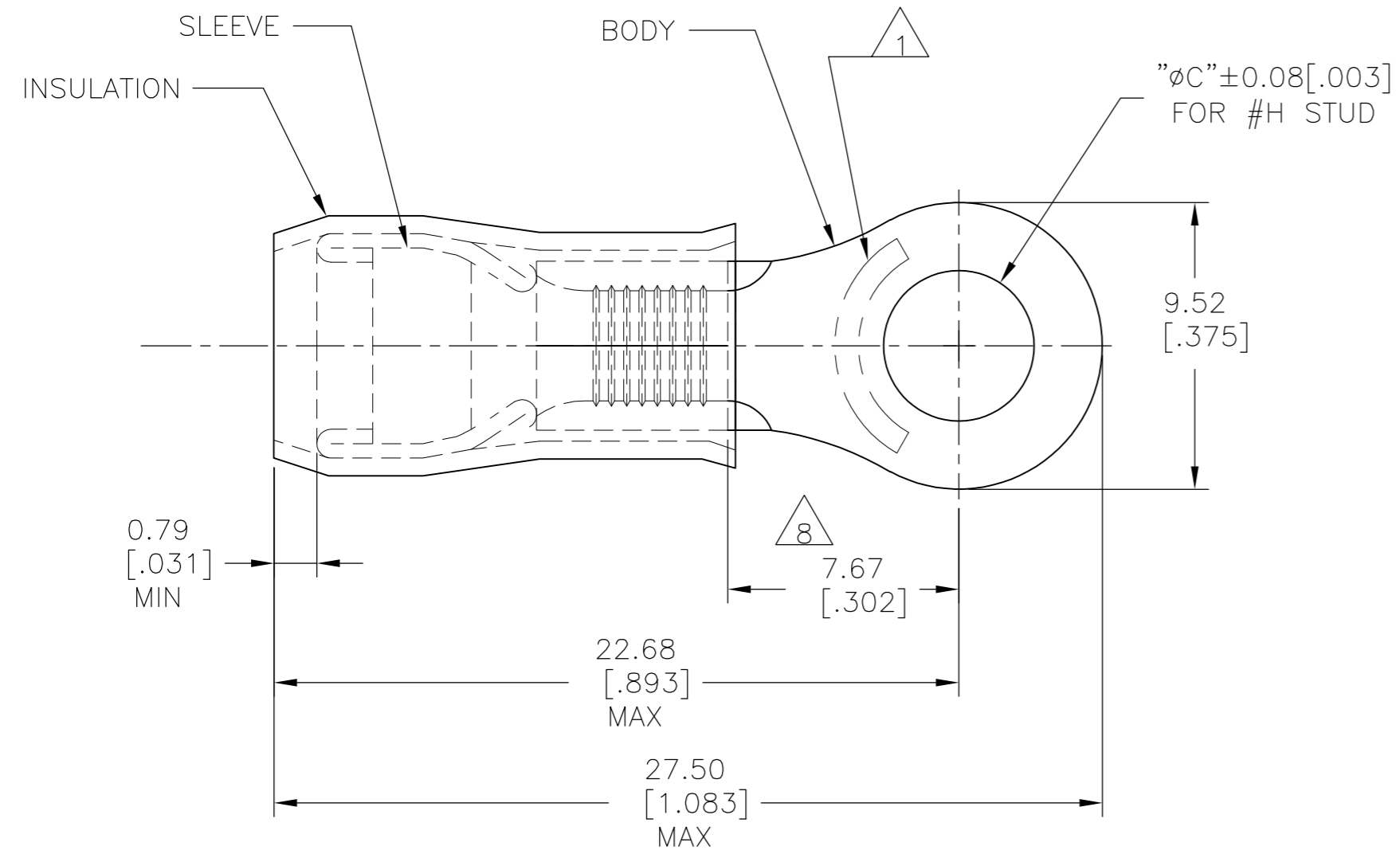


THIS DRAWING IS UNPUBLISHED. RELEASED FOR PUBLICATION  
 © COPYRIGHT - By - ALL RIGHTS RESERVED.

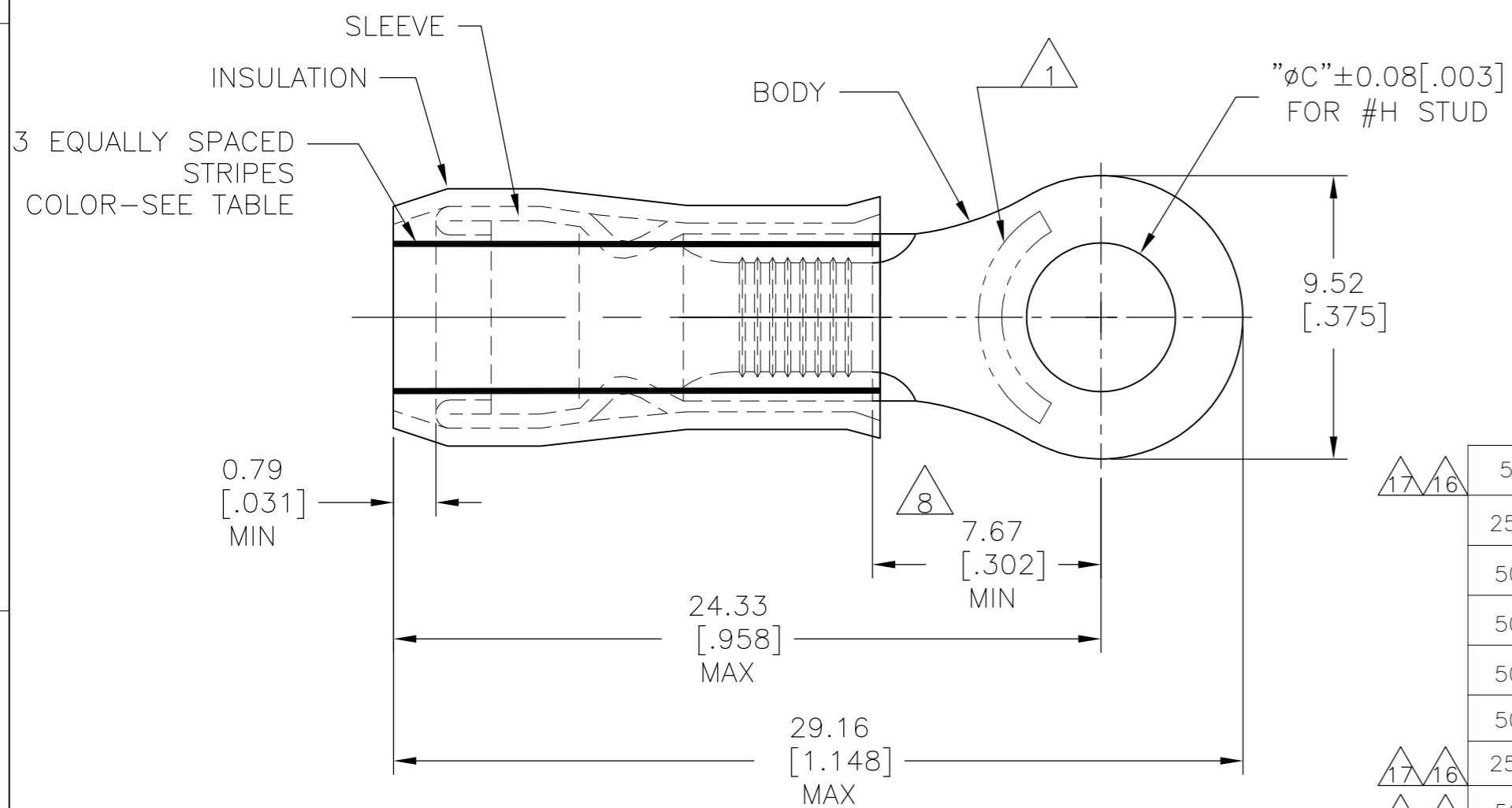
REVISIONS				
P	LTR	DESCRIPTION	DATE	APVD
AA2		REVISED PER ECO-16-014868	19OCT2016	RS DR



STYLE A

<b>AMP</b> WIRE RANGE	$\triangle 16$ $\triangle L$ E13288 Listed
12-10 AWG SOLID OR STRANDED	12-10 AWG SOLID OR STRANDED
$\triangle 17$ $\triangle L$ LR7189 Certified	
12-10 AWG SOLID OR STRANDED	

- $\triangle 1$  STAMP "AMP - SEE TABLE" APPROX AS SHOWN.
- $\triangle 2$  WIRE INSULATION DIA: SEE TABLE.
- $\triangle 3$  TONGUE MATERIAL THK: 0.99±0.05[.039±.002].
- $\triangle 4$  BODY: TIN PLATE 0.00254[.000100] MIN EXT THK PER ASTM B545.
- $\triangle 5$  SLEEVE: TIN PLATE 0.00254[.000100] MIN EXT THK PER ASTM B545.
- $\triangle 6$  SLEEVE: NICKEL PLATE PER SAE AMS QQ-N-290.
- $\triangle 7$  BODY & SLEEVE- CU PER ASTM B152  
INSULATION - NYLON PER ASTM D4066  
COLOR - YELLOW.
- $\triangle 8$  APPLIES FROM EDGE OF METAL WIRE BARREL TO CENTER OF STUD HOLE.
- $\triangle 9$  MEETS MS25036-112, CLASS 1 & 2.
- $\triangle 10$  MEETS MS25036-112, CLASS 2.
- $\triangle 11$  MEETS M7928/1-58, CLASS 1 & 2.
- $\triangle 12$  MEETS M7928/1-65, CLASS 1 & 2.
- $\triangle 13$  MEETS M7928/1-56, CLASS 1 & 2.
- $\triangle 14$  MEETS M7928/1-63, CLASS 1 & 2.
- $\triangle 15$  NOTE DELETED.



STYLE B  
INSULATION RESTRICTING

QTY	PACKAGE TYPE	"H"	"C"	STAMPING	WIRE INSUL DIA	WIRE SIZE	STRIPE COLOR	STYLE	BODY FINISH	SLEEVE FINISH	PART NO
50	LOOSE PIECE, BOX	#10	5.00[.197]	12-10	3.81[.150]-5.84[.230]	12-10	--	A		$\triangle 5$	8-36161-2
2500	ON TAPE & REEL	#10	5.00[.197]	12	3.02[.119]-5.08[.200]	12	BROWN	B		$\triangle 6$ $\triangle 12$	2-36161-8
500	LOOSE PIECE	[#6]M3.5	3.68[.145]	10	3.02[.119]-5.08[.200]	10	BROWN	B		$\triangle 6$ $\triangle 14$	2-36161-6
500	LOOSE PIECE	[#6]M3.5	3.68[.145]	12	2.41[.095]-5.08[.200]	12	YELLOW	B	$\triangle 4$	$\triangle 6$ $\triangle 13$	2-36161-5
500	LOOSE PIECE	#10	5.00[.197]	10	3.02[.119]-5.08[.200]	10	BROWN	B		$\triangle 6$ $\triangle 12$	2-36161-4
500	LOOSE PIECE	#10	5.00[.197]	12	2.41[.095]-5.08[.200]	12	YELLOW	B		$\triangle 6$ $\triangle 11$	2-36161-3
2500	ON TAPE & REEL	#10	5.00[.197]	12-10	3.81[.150]-5.84[.230]	12-10	--	A		$\triangle 5$ $\triangle 10$	2-36161-2
500	LOOSE PIECE	#10	5.00[.197]	12-10	3.81[.150]-5.84[.230]	12-10	--	A		$\triangle 5$ $\triangle 9$	36161

AMP INCORPORATED CUSTOMER SERVICE SYSTEMS			THIS DRAWING IS A CONTROLLED DOCUMENT.			DWN JR RUTH 17DEC09 CHK T MICHELUTTI 17DEC09 APVD T MICHELUTTI 17DEC09		TE Connectivity				
FOR ADDITIONAL PRODUCT INFORMATION OR COPIES OF DRAWINGS AND TECHNICAL DOCUMENTS	PRODUCT INFORMATION CENTER 1-800-522-6752	MAX RECOMMENDED OPERATING TEMPERATURE: 105°C[221°F] MAX	DIMENSIONS: mm [INCHES]	TOLERANCES UNLESS OTHERWISE SPECIFIED:	0 PLC ± - 1 PLC ± - 2 PLC ± - 3 PLC ± 0.20[.008] 4 PLC ± -	NAME TERMINAL, RING TONGUE, PIDG WIRE SIZE: 12-10 AWG			SIZE	CAGE CODE	DRAWING NO	RESTRICTED TO
FOR APPLICATION TOOLING INFORMATION	TOOLING ASSISTANCE CENTER 1-800-722-1111	VOLTAGE RATING: 300 VOLT MAX	MATERIAL		FINISH	APPLICATION SPEC	WEIGHT	A2	00779	C=36161		
FOR ORDER ENTRY	1-800-526-5142	CIRCULAR MIL AREA: 2.62-6.64mm[5,180-13,100] STRANDED OR SOLID	CUSTOMER DRAWING			SCALE	SHEET	5:1	1	1	REV	AA2

# Mouser Electronics

Authorized Distributor

Click to View Pricing, Inventory, Delivery & Lifecycle Information:

[TE Connectivity:](#)

[2-36161-6](#)