

REV	DATE	DESCRIPTION	BY	CHK	APP
AS	10/22/07	REVISED PER ECO-07-024895	SS	GS	
AS1	07/20/10	REVISED PER ECO-09-021826	KK	AEG	

QTY	DESCRIPTION	UNIT	PLATE	FINISH	DRILL	LOC	REV	
△	OBSOLETE	△	FULLY (34)	15.24 [.600]	2.79 [.110] DIMPLE	#4-40 UNC TAPPED	9.52 [.375]	-2-212810-0
△	OBSOLETE	△	SELECT (19) B,C,D,E,F,H,K,P,R,S,T U,V,W,X,Y,AA,BB,NN	-	-	-	-	-2-212810-0
△	OBSOLETE	△	SELECT (27) A,B,C,D,E,F,H,J,K,L,M,N,P,R,S,T,U,V,W,X,Y,AA,BB,CC,DD,FF,HH,J,J,K,K,L,L,NN	14.10 [.555]	2.79 [.110] DIMPLE	3.05 [.120] X 4.32 [.170] ELONGATED	8.38 [.330]	-2-212810-3
△	OBSOLETE	△	SELECT (27) A,B,C,D,E,F,H,J,K,L,M,N,P,R,S,T,U,V,W,X,Y,AA,BB,CC,DD,FF,HH,J,J,K,K,L,L,NN	14.10 [.555]	2.79 [.110] DIMPLE	3.05 [.120] X 4.32 [.170] ELONGATED	8.38 [.330]	-2-212810-6
△	OBSOLETE	△	FULLY (34)	14.10 [.555]	2.79 [.110] DIMPLE	-	-	-2-212810-5
△	OBSOLETE	△	SELECT (25) A,B,C,D,E,F,H,J,K,L,M,N,P,R,S,T,U,V,W,X,Y,Z,AA,BB,NN	14.10 [.555]	2.79 [.110] DIMPLE	3.05 [.120] X 4.32 [.170] ELONGATED	8.38 [.330]	-2-212810-4
△	OBSOLETE	△	SELECT (14) B,C,D,E,F,H,P,R,S,T,V,X,Y,AA	14.10 [.555]	2.79 [.110] DIMPLE	3.05 [.120] X 4.32 [.170] ELONGATED	8.38 [.330]	-2-212810-3
△	OBSOLETE	△	SELECT (16) A,B,C,D,E,F,H,J,P,R,S,T,U,V,W,X,Y,AA	15.24 [.600]	2.79 [.110] DIMPLE	3.30 [.130] DIA	9.52 [.375]	-2-212810-2
△	OBSOLETE	△	SELECT (19) B,C,D,E,F,H,L,M,N,P,R,S,T,U,V,W,X,Y & AA	14.10 [.555]	2.79 [.110] DIMPLE	#4-40 UNC TAPPED	9.52 [.375]	-2-212810-2
△	OBSOLETE	△	FULLY (34)	14.10 [.555]	3.30 [.130] HOLE	3.05 [.120] DIA	8.38 [.330]	2-212810-1
△	OBSOLETE	△	FULLY (34)	14.10 [.555]	2.79 [.110] DIMPLE	3.05 [.120] X 4.32 [.170] ELONGATED	8.38 [.330]	2-212810-0
△	OBSOLETE	△	FULLY (34)	15.24 [.600]	2.79 [.110] DIMPLE	#4-40 UNC TAPPED	9.52 [.375]	-2-212810-6
△	OBSOLETE	△	SELECT (19) B,C,D,E,F,H,K,P,R,S,T U,V,W,X,Y,AA,BB,NN	-	-	-	-	-2-212810-3
△	OBSOLETE	△	SELECT (27) A,B,C,D,E,F,H,J,K,L,M,N,P,R,S,T,U,V,W,X,Y,AA,BB,CC,DD,FF,HH,J,J,K,K,L,L,NN	14.10 [.555]	2.79 [.110] DIMPLE	3.05 [.120] X 4.32 [.170] ELONGATED	8.38 [.330]	-2-212810-6
△	OBSOLETE	△	SELECT (27) A,B,C,D,E,F,H,J,P,R,S,T,U,V,W,X,Y,AA	14.10 [.555]	2.79 [.110] DIMPLE	3.05 [.120] X 4.32 [.170] ELONGATED	8.38 [.330]	-2-212810-3
△	OBSOLETE	△	FULLY (34)	14.10 [.555]	2.79 [.110] DIMPLE	3.05 [.120] X 4.32 [.170] ELONGATED	8.38 [.330]	-2-212810-3
△	OBSOLETE	△	SELECT (25) A,B,C,D,E,F,H,J,K,L,M,N,P,R,S,T,U,V,W,X,Y,Z,AA,BB,NN	14.10 [.555]	2.79 [.110] DIMPLE	3.05 [.120] X 4.32 [.170] ELONGATED	8.38 [.330]	-2-212810-4
△	OBSOLETE	△	SELECT (24) A,B,C,D,E,F,H,J,K,L,M,N,P,R,S,T,U,V,W,X,Y,AA,BB,NN	14.10 [.555]	2.79 [.110] DIMPLE	3.05 [.120] X 4.32 [.170] ELONGATED	8.38 [.330]	-2-212810-2
△	OBSOLETE	△	SELECT (14) B,C,D,E,F,H,P,R,S,T,V,X,Y,AA	14.10 [.555]	2.79 [.110] DIMPLE	3.05 [.120] X 4.32 [.170] ELONGATED	8.38 [.330]	-2-212810-4
△	OBSOLETE	△	SELECT (17) A,B,C,D,E,F,H,P,R,S,T,U,V,W,X,Y,AA	14.10 [.555]	2.79 [.110] DIMPLE	3.05 [.120] X 4.32 [.170] ELONGATED	8.38 [.330]	1-212810-0
△	OBSOLETE	△	SELECT (18) A,B,C,D,E,F,H,J,P,R,S,T,U,V,W,X,Y,AA	14.10 [.555]	3.30 [.130] HOLE	3.05 [.120] DIA	8.38 [.330]	212810-9
△	OBSOLETE	△	SELECT (16) A,B,C,D,E,F,H,J,P,R,S,T,U,V,W,X,Y,AA	14.10 [.555]	2.79 [.110] DIMPLE	3.30 [.130] DIA	8.38 [.330]	212810-8
△	OBSOLETE	△	SELECT (18) B,C,D,E,F,H,L,N,P,R,S,T,U,V,W,X,Y,AA,HH,KK,NN	14.10 [.555]	2.79 [.110] DIMPLE	3.05 [.120] X 4.32 [.170] ELONGATED	8.38 [.330]	212810-7
△	OBSOLETE	△	SELECT (19) B,C,D,E,F,H,L,M,N,P,R,S,T,U,V,W,X,Y & AA	15.24 [.600]	2.79 [.110] DIMPLE	#4-40 UNC TAPPED	9.52 [.375]	212810-6
△	OBSOLETE	△	SELECT (19) B,C,D,E,F,H,L,M,N,P,R,S,T,U,V,W,X,Y & AA	14.10 [.555]	2.79 [.110] DIMPLE	3.05 [.120] X 4.32 [.170] ELONGATED	8.38 [.330]	212810-4
△	OBSOLETE	△	SELECT (19) B,C,D,E,F,H,L,M,N,P,R,S,T,U,V,W,X,Y & AA	14.10 [.555]	3.30 [.130] HOLE	3.05 [.120] DIA	8.38 [.330]	212810-3
△	OBSOLETE	△	FULLY (34)	14.10 [.555]	2.79 [.110] DIMPLE	3.05 [.120] X 4.32 [.170] ELONGATED	8.38 [.330]	212810-2
△	OBSOLETE	△	FULLY (34)	14.10 [.555]	2.79 [.110] DIMPLE	3.05 [.120] X 4.32 [.170] ELONGATED	8.38 [.330]	212810-1

LETTERS ARE SHOWN ON PC BOARD LAYOUT FOR HOLE LOCATION PURPOSES ONLY.

CONTACT BODY: PLATED GOLD 0.76um [.000030] THK PER MIL-G-45204 FOR A LENGTH OF 5.08 [.200] MIN FROM MATING END OF CONTACT WITH POINT OF MEASUREMENT (SIDE 90° TO SEAM) 2.54 [.100] FROM MATING END OF CONTACT: 2.54um [.000100] MIN TIN PER MIL-T-10727 IN WIRE BARREL AREA. BOTH OVER NICKEL 1.27um [.000050] THK PER QQ-N-290. CONTACT POST: PLATED MATTE TIN PER MIL-T-10727 OVER NICKEL 1.27um [.000050] THK QQ-N-290.

CONTACT BODY: PLATED GOLD 0.76um [.000030] THK PER MIL-G-45204 FOR A LENGTH OF 5.08 [.200] MIN FROM MATING END OF CONTACT WITH POINT OF MEASUREMENT (SIDE 90° TO SEAM) 2.54 [.100] FROM MATING END OF CONTACT: 2.54um [.000100] MIN TIN-LEAD PER MIL-T-10727 IN WIRE BARREL AREA. BOTH OVER NICKEL 1.27um [.000050] THK PER QQ-N-290. CONTACT POST: PLATED MATTE TIN-LEAD PER MIL-T-10727 OVER NICKEL 1.27um [.000050] THK QQ-N-290.

OBSOLETE PARTS: OBSOLETE CIS STREAMLINING PER D.RENAUD/D.SINISI

CONTACT FINISH	CIRCUIT CAVITIES LOADED	D	C	B	A	PART NUMBER

THIS DRAWING IS A CONTROLLED DOCUMENT.

REVISED PER ECO-07-024895

REVISED PER ECO-09-021826

SEE TABLE

CUSTOMER DRAWING

DATE: 10/22/07

REV: 1.1

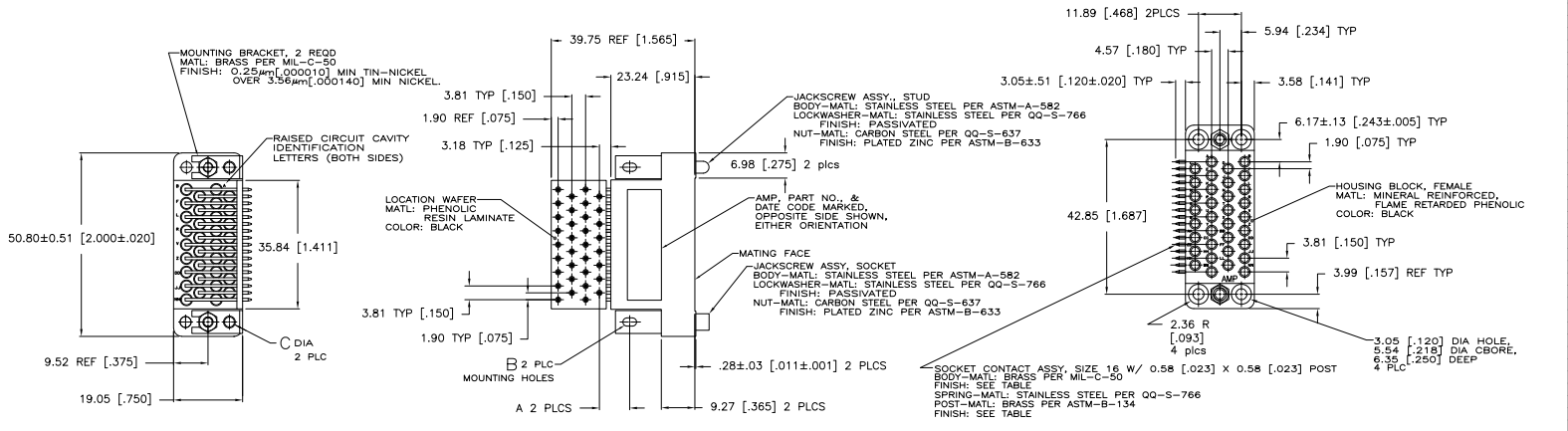
ISSUE: 1

PAGE: 2

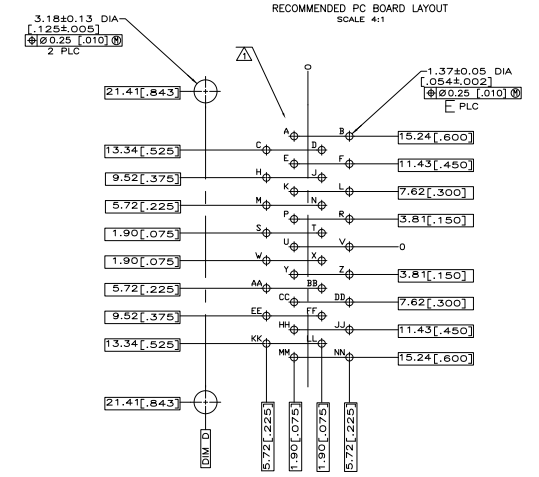
AS1

THIS DRAWING IS UNPUBLISHED. ALL RIGHTS RESERVED.
 © 2012 TYP ELECTRONICS CORPORATION

REVISONS		DATE	BY	APP'D
FT	0			



RECOMMENDED PC BOARD LAYOUT
 SCALE 4:1



THIS DRAWING IS A CONTROLLED DOCUMENT.		DW: EUBLER DR: [blank] AP: STEINHAUER DATE: [blank]	04/06/01 TYP Electronics Tyco Electronics Corporation Harrisburg, Pa 17105-3608
DIMENSIONS: (mm INCHES) UNLESS SPECIFIED: A: 100 B: 25 C: 12.5 D: 1.27 (50 MIL) E: 0.25 (10 MIL)	FINISH: SEE TABLE	PART NO: [blank]	TITLE: CONNECTOR ASSEMBLY, SOCKET, 34 POSITION, RIGHT ANGLE, W SERIES SIZE: A1 DATE: 00779 DRAWING NO: 212810 CUSTOMER DRAWING: [blank]
SHEET: 2 OF: 2 FILE: 1:1	APPROVED TO: [blank]	DATE: [blank]	FILE: [blank]