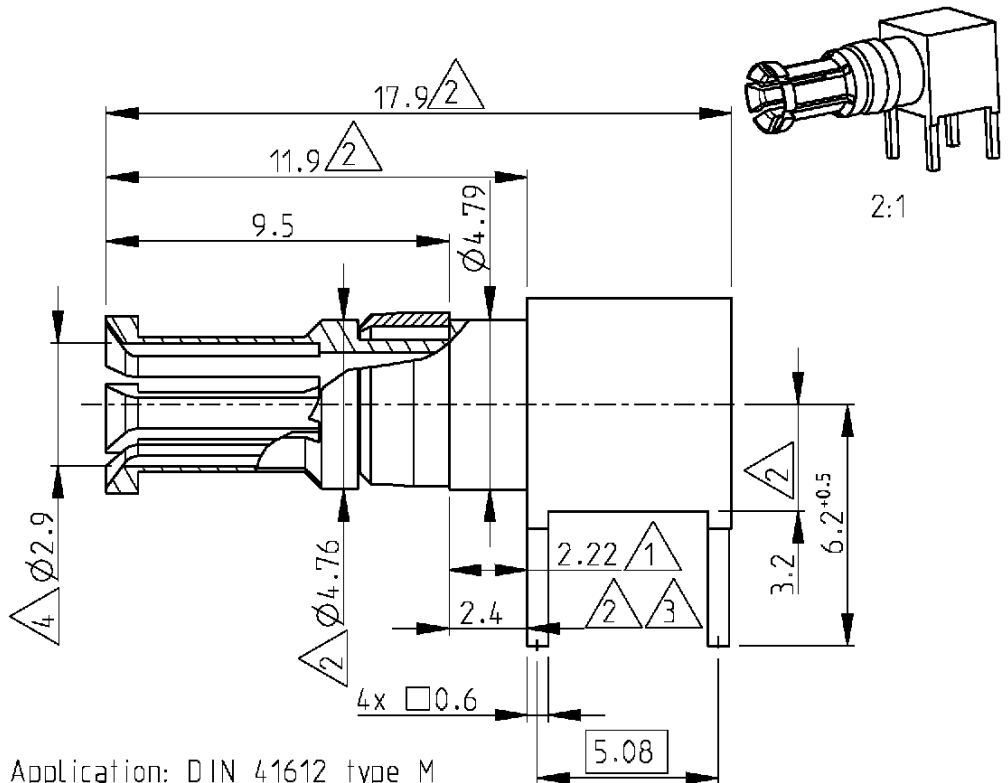


LOC	DIST	REVISIONS				
P	LTR	DESCRIPTION	DATE	DWN	APVD	
GW	-	A1	SR10-0170-01	26APR2001	BL	KM

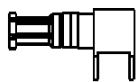


5) Application: DIN 41612 type M

- 4 Initial dimensions
- 3 Measured with spring moved towards mating face.
- 2 Max dimension
- 1 Min dimension

Cross reference table

Old part number	Tyco part number	Material	Plating	Current
C42334-A347-A193	2-1393589-7	CuBe	1 µm Au or Pd in contact area	40 A



1:1

2000

RELEASED FOR PUBLICATION

THIS DRAWING IS UNPUBLISHED.

ALL RIGHTS RESERVED.
BY TYCO ELECTRONICS CORPORATION.
COPYRIGHT 2000

DIMENSIONS: mm	DWN B. Lenvain	19APR2001	MATERIAL	-	FINISH	-
	CHK K. Mattheeuws	19APR2001	Tyco Electronics Oostkamp - Belgium			
TOLERANCES UNLESS OTHERWISE SPECIFIED:	APVD R. Leeman	19APR2001				
	0 PLC ±	PRODUCT SPEC	-	SIZE A4		
1 PLC ±	APPLICATION SPEC	-	CAGE CODE	DRAWING NO		RESTRICTED TO
2 PLC ±			A4	00779	C=2-1393589-7	-
3 PLC ±			CUSTOMER DRAWING			
4 PLC ±	WEIGHT	-	SCALE		8/1	SHEET 1 OF 1
ANGLES ±			REV		A1	