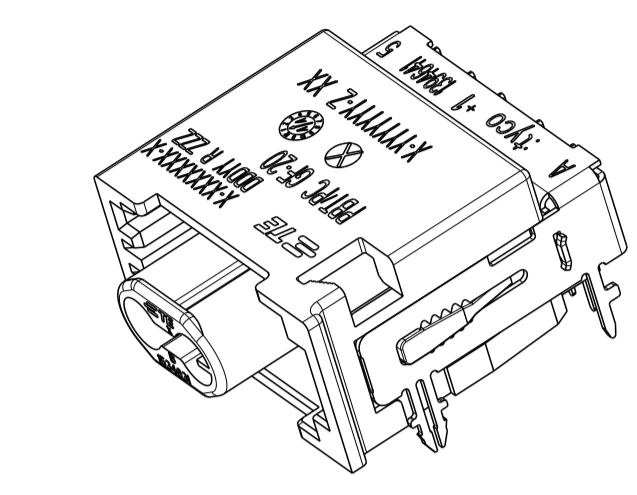
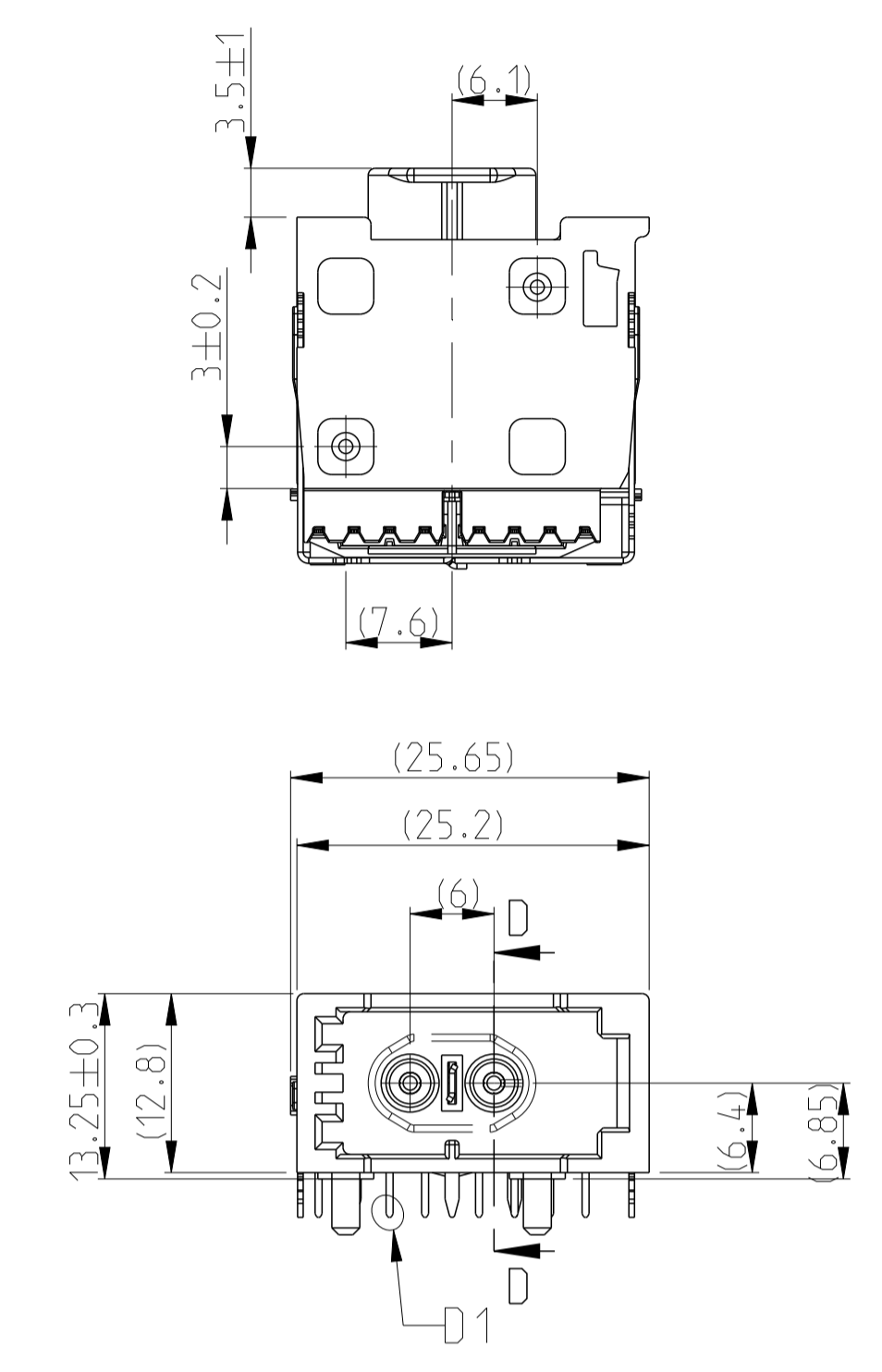
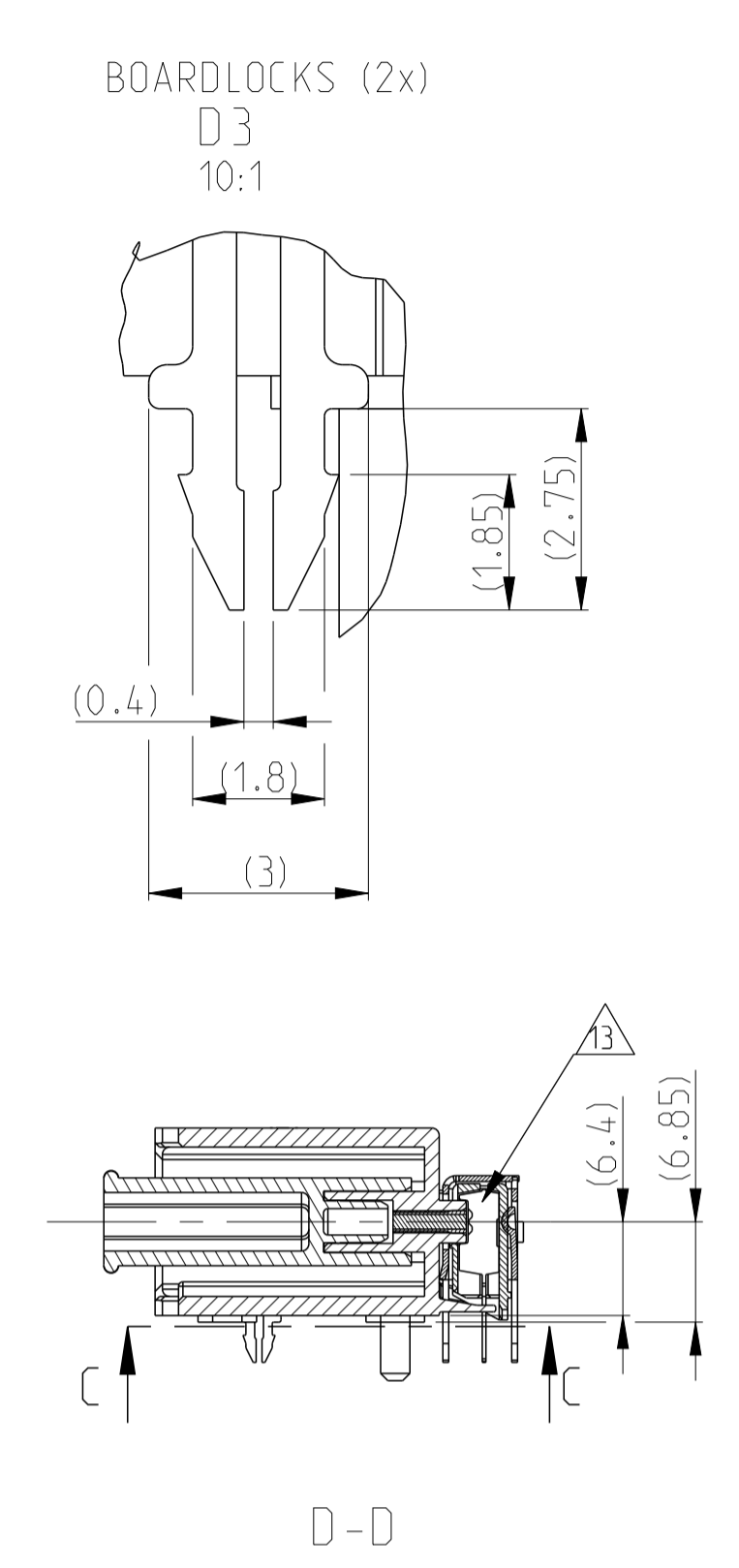
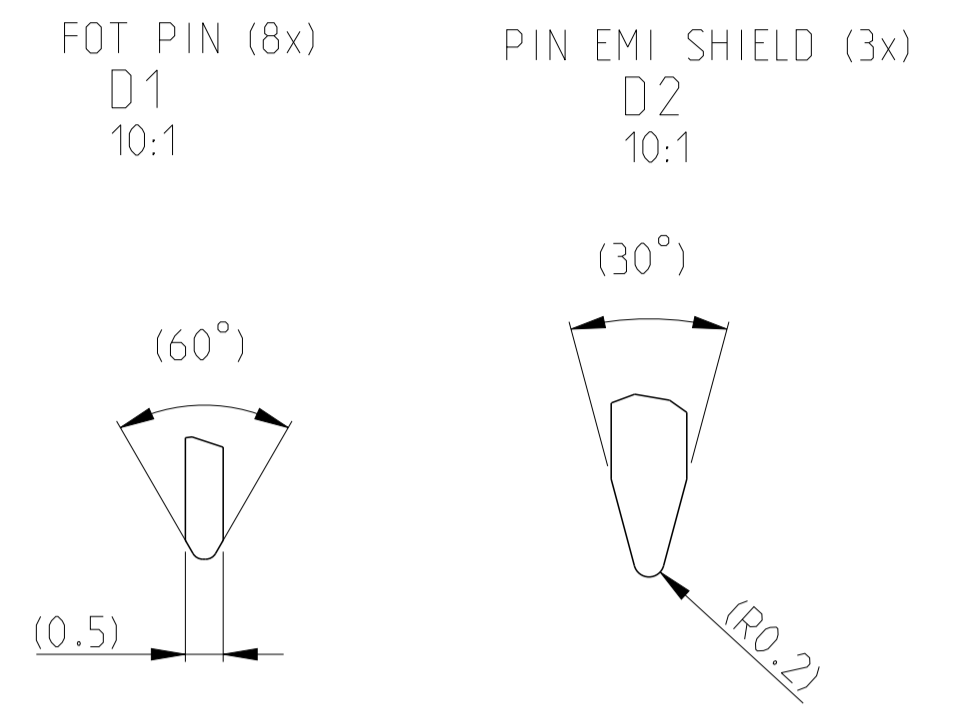
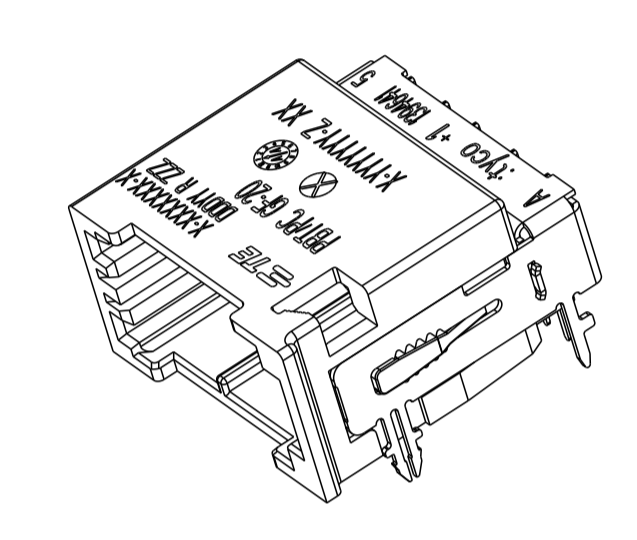


LOC		REVISIONS			
REV	DATE	DESCRIPTION	DATE	OWN	APVD
A1	-	NEW DRAWING	180CT2010	RW	FH
A1	E-11-002468		03FEB2011	RW	FH
B	E-12-001793		30JAN2012	RW	FH
B1	E-14-012408		18AUG2014	RW	MR

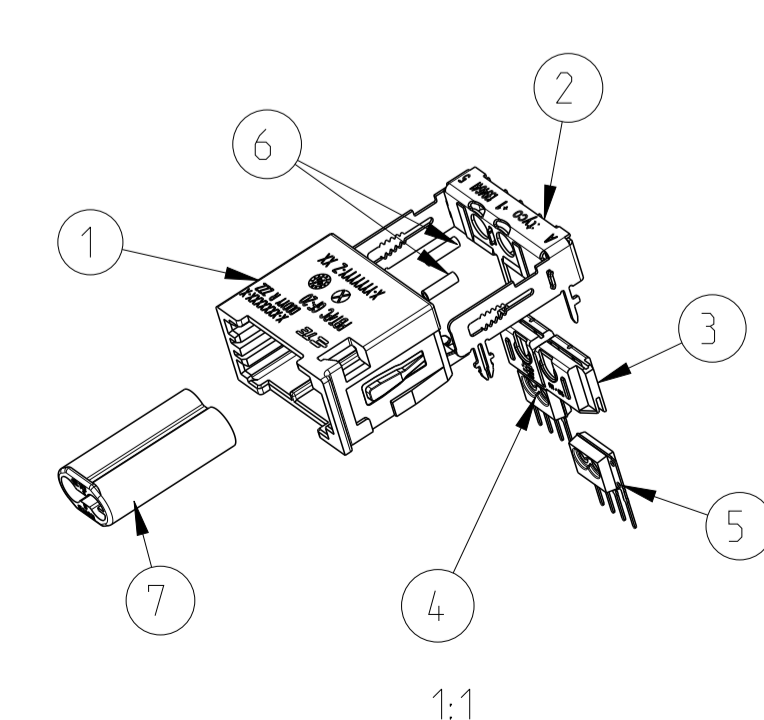
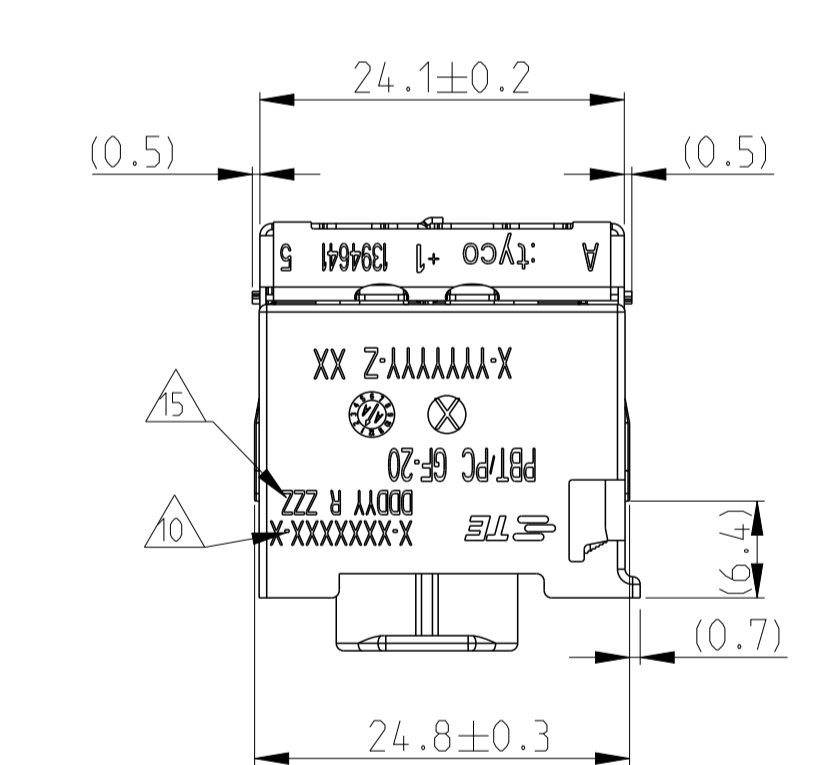
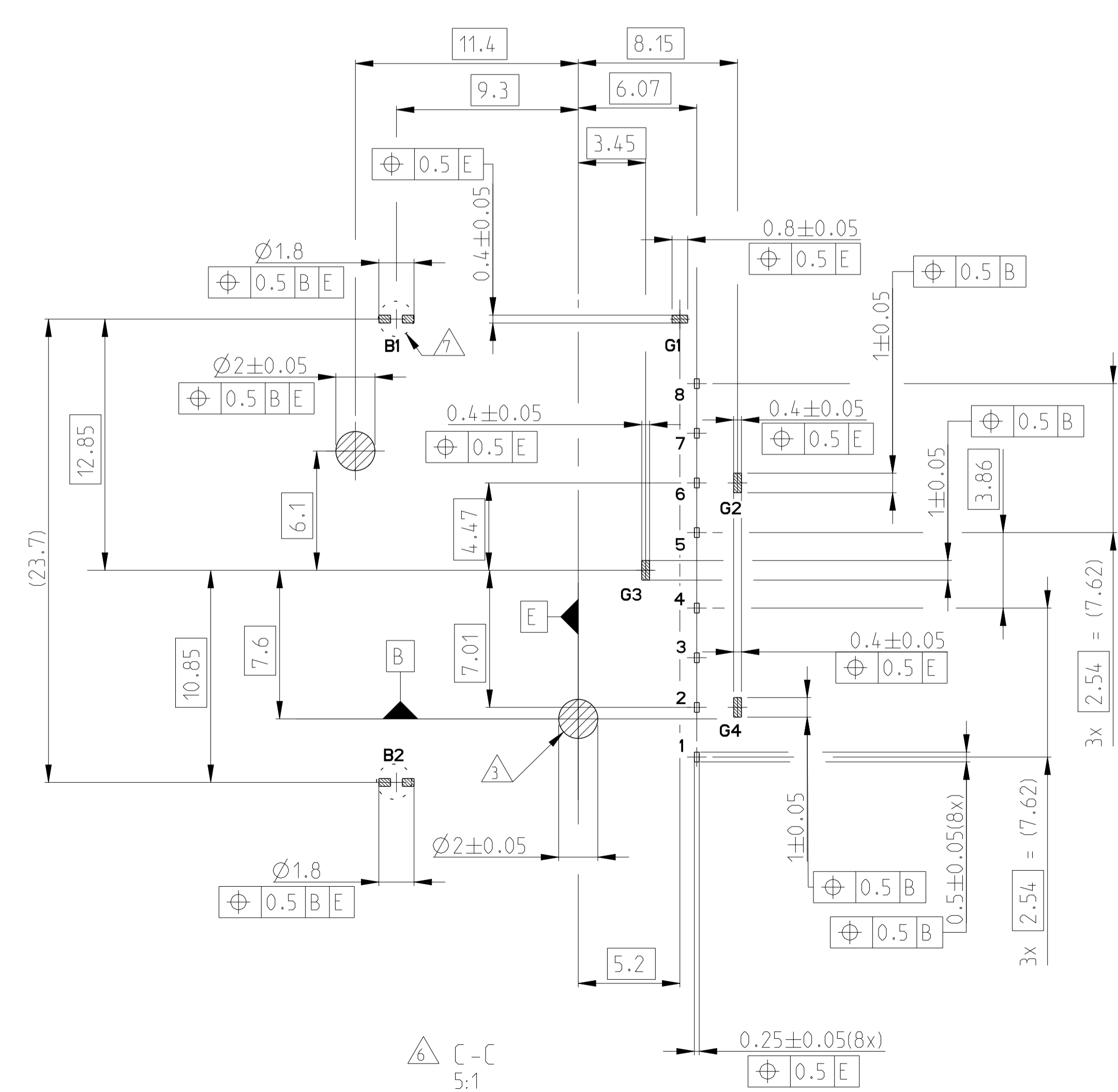
- Bemerkungen / NOTES
- Verpackung siehe Verpackungsanweisung V-2141577 (ESD-geschützte Trays in Feuchteschutzverpackung mit Feuchteindikator und Trockenmittel)
PACKING SEE PACKAGING INSTRUCTION V-2141577 (ESD TRAYS IN MOISTURE PROOF BAG WITH INDICATOR AND DESICCANT)
 - 100% optischer Test: Lichtausgangsleistung, Receiverempfindlichkeit und Status-Pin Abfrage
100% OPTICAL TEST: OUTPUT PERFORMANCE, RECEIVER SENSIVITY AND STATUS-PIN QUERY
 - Bezugspind REFERENCE PIN
 - Massgebend ist der deutsche Text ONLY THE GERMAN LANGUAGE SHALL BE BINDING
 - Alle Masse in () nur zur Information ALL DIMENSIONS IN () ONLY FOR INFORMATION
 - Pinlayout von Lötseite aus gesehen. Angaben entsprechen den Form- und Lagetoleranzen der Pins. Layout ist entsprechend auszuliegen. PIN LAYOUT SHOWN FROM SOLDERING SIDE OF PCB. DIMENSIONS AND TOLERANCES ACCORDING TO PINS. LAYOUT HAS TO BE ADAPTED.
 - Ø1.8 mm Bohrung fuer Boardlocks Ø1.8 MM HOLE FOR BOARDLOCKS
 - Steckersystem gemass Schnittstelle C-114-18361-1 inklusive Kodierungen CONNECTOR ACCORDING TO C-114-18361-1 INCLUDING CODINGS
 - Assy PN, Produktionsdatum Revision und FOT Typ auf Header gedruckt oder Laser graviert. Schrift: Hoehe 1.6 mm. Position bleibt dem Hersteller ueberlassen. Assy PN, DATE CODE REVISION AND FOT TYP PRINTED OR LASER ENGRAVED ON HEADER, CHAR: HIGH 1.6 MM. POSITION IS LEFT TO THE MANUFACTURER
 - Gewicht ohne Staubschutzkappe: 6.2g WEIGHT W WITHOUT PROTECTION COVER: 6.2g
 - Kodierung A wie gezeichnet 0-2141577-1 CODING A AS SHOWN 0-2141577-1
 - TRANSMITTER AVAGO TYPE AFBR-1012 RECEIVER AVAGO TYPE AFBR-2012 Transmitter Avago Type AFBR-1012 Receiver Avago Type AFBR-2012
 - Passend zu Gegenstecker bsp. 1418862 SUITABLE TO MATING PART EXC. 1418862
 - Markierung AV5 = Avago FOTS MARKING AV5 = AVAGO FOTS



Anlieferzustand DELIVERY STATUS 2:1



Einbauzustand im Fahrzeug (ohne Pos.7) BUILD-IN MODEL (WITHOUT POS.7) 2:1

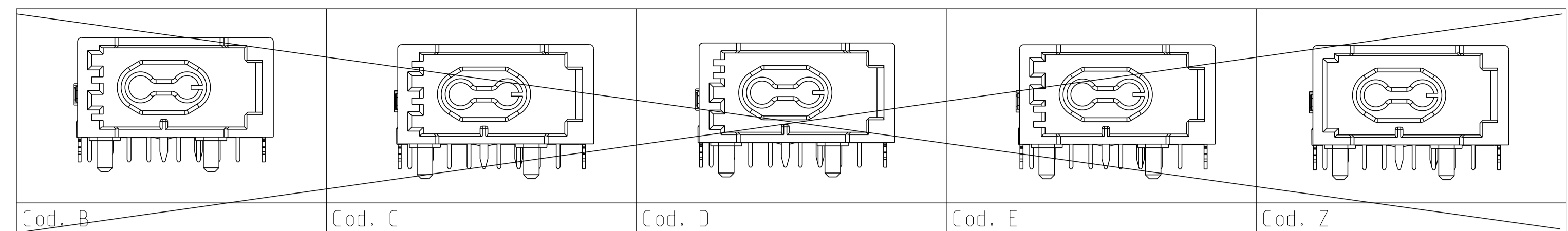


2-2141577-x siehe Blatt 2 (neues Teil mit neuem Schirmblech) SEE PAGE 2 (NEW PART WITH NEW EMI SHIELD)

Part No.	Rev.	Coding	Pos.	Description	Qty.	Material / Color	Vol. (mm ³)	Weight [g]
0-2141577-9	B	Z	7	Protection Cover	1	PP-MF20 / dusty grey	656	0.7
			6	Polymer Optical Fiber	2	PC / clear and PA12 / black		
			5	Receiver AVAGO	1	resin and copper alloy, Au plated 0.05-0.5 µm	210	B1
			4	Transmitter AVAGO	1	resin and copper alloy, Au plated 0.05-0.5 µm	210	B1
			3	Adapter for Elements	1	PBT GF 15 / black	194	
0-2141577-2	B	B	2	EMI Shielding Micropigtail	1	plating: 0.8-3.0 µm Ni 2.0-5.0 µm Sn on solder pins	328	
			1	2 pos. Header Hsg. Micropigtail	1	PBT/PC GF20 / black	2286	
			7	Protection Cover	1	PP-MF20 / dusty grey	656	0.7
			6	Polymer Optical Fiber	2	PC / clear and PA12 / black		
			5	Receiver AVAGO	1	resin and copper alloy, Au plated 0.05-0.5 µm	210	B1
0-2141577-1	B	A	4	Transmitter AVAGO	1	resin and copper alloy, Au plated 0.05-0.5 µm	210	B1
			3	Adapter for Elements	1	PBT GF 15 / black	194	
			2	EMI Shielding Micropigtail	1	plating: 0.8-3.0 µm Ni 2.0-5.0 µm Sn on solder pins	328	
			1	2 pos. Header Hsg. Micropigtail	1	PBT/PC GF20 / black	2286	
			7	Protection Cover	1	PP-MF20 / dusty grey	656	0.7

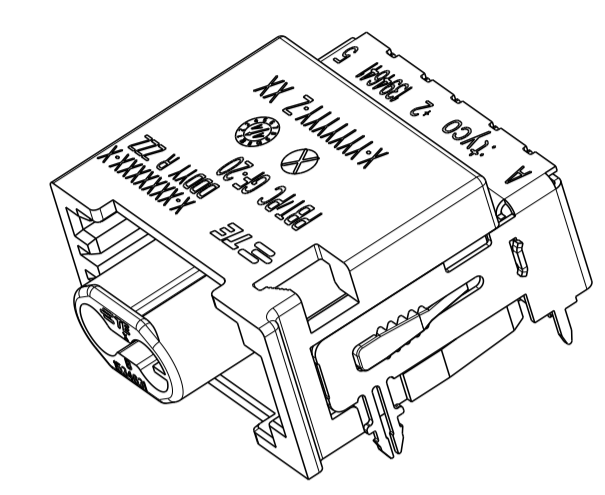
THIS DRAWING IS A CONTROLLED DOCUMENT. DIMENSIONS: mm. TOLERANCES UNLESS OTHERWISE SPECIFIED: 0 PLC ±0.2, 1 PLC ±, 2 PLC ±, 3 PLC ±, 4 PLC ±, ANGLES ±°. MATERIAL: -. FINISH: -. DWG: R. Wuecker, CHK: R. Wuecker, APVD: F. Hofmann, PRODUCT SPEC: 108-94198, APPLICATION SPEC: 114-18997, WEIGHT: -, SIZE: A1, CAGE CODE: 00779, DRAWING NO: 2141577, RESTRICTED TO: -. CUSTOMER DRAWING. SCALE: 2:1, SHEET: 1 OF 2, REV: B1.

TE TE Connectivity
 Micropigtail with AVAGO CM Elements / POF

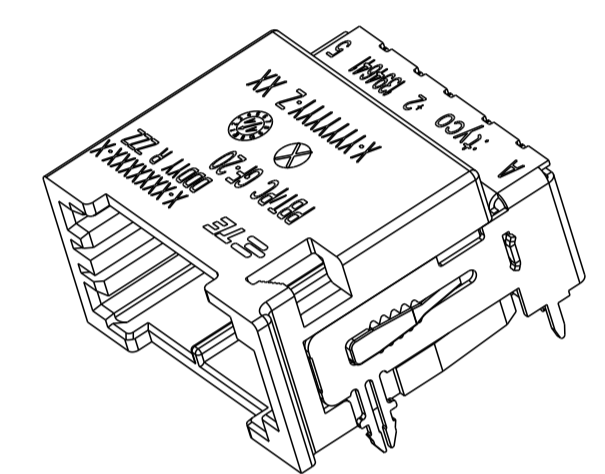


LOC	DIST	REVISONS	DATE	OWN	APVD
A1	-	DESCRIPTION			
		SEE SHEET 1			

- Bemerkungen / NOTES
- Verpackung siehe Verpackungsanweisung V-2141577 (ESD-geschuetzte Trays in Feuchteschutzverpackung mit Feuchteindikator und Trocknungsmittel) PACKING SEE PACKAGING INSTRUCTION V-2141577 (ESD TRAYS IN MOISTURE PROOF BAG WITH INDICATOR AND DESICCANT)
 - 100% optischer Test: Lichtausgangsleistung, Receiverempfindlichkeit und Status-Pin Abfrage 100% OPTICAL TEST: OUTPUT PERFORMANCE, RECEIVER SENSIVITY AND STATUS-PIN QUERY
 - Bezugspin REFERENCE PIN
 - Massgebend ist der deutsche Text ONLY THE GERMAN LANGUAGE SHALL BE BINDING
 - Alle Masse in () nur zur Information ALL DIMENSIONS IN () ONLY FOR INFORMATION
 - Pinlayout von Lötseite aus gesehen. Angaben entsprechen den Form- und Lagetoleranzen der Pins. Layout ist entsprechend auszulegen. PIN LAYOUT SHOWN FROM SOLDERING SIDE OF PCB. DIMENSIONS AND TOLERANCES ACCORDING TO PINS. LAYOUT HAS TO BE ADAPTED.
 - Ø1.8mm Bohrung fuer Boardlocks Ø1.8MM HOLE FOR BOARDLOCKS
 - Steckersystem gemass Schnittstelle C-114-18361-1 inklusive Kodierungen CONNECTOR ACCORDING TO C-114-18361-1 INCLUDING CODINGS
 - Assy PN, Produktionsdatum Revision und FOT Typ auf Header gedruckt oder Laser graviert. Schrift: Hoehe 1.6 mm. Position bleibt dem Hersteller ueberlassen. Assy PN, DATE CODE REVISION AND FOT TYP PRINTED OR LASER ENGRAVED ON HEADER. CHAR: HIGH 1.6 MM. POSITION IS LEFT TO THE MANUFACTURER
 - Gewicht ohne Staubschutzkappe: 6.5g WEIGHT WITHOUT PROTECTION COVER: 6.5g
 - Kodierung A wie gezeichnet 2-2141577-1 CODING A AS SHOWN 2-2141577-1
 - TRANSMITTER AVAGO TYPE AFBR-1012 CHIP REV.A AV5 RECEIVER AVAGO TYPE AFBR-2012 CHIP REV.A AV5 Transmitter Avago Type AFBR-1012 Chip Rev. A AV5 Receiver Avago Type AFBR-2012 Chip Rev. A AV5
 - Passend zu Gegenstecker bsp. 1418862 SUITABLE TO MATING PART EXC. 1418862
 - Markierung AV5 = AVAGO FOTS MARKING AV5 = AVAGO FOTS

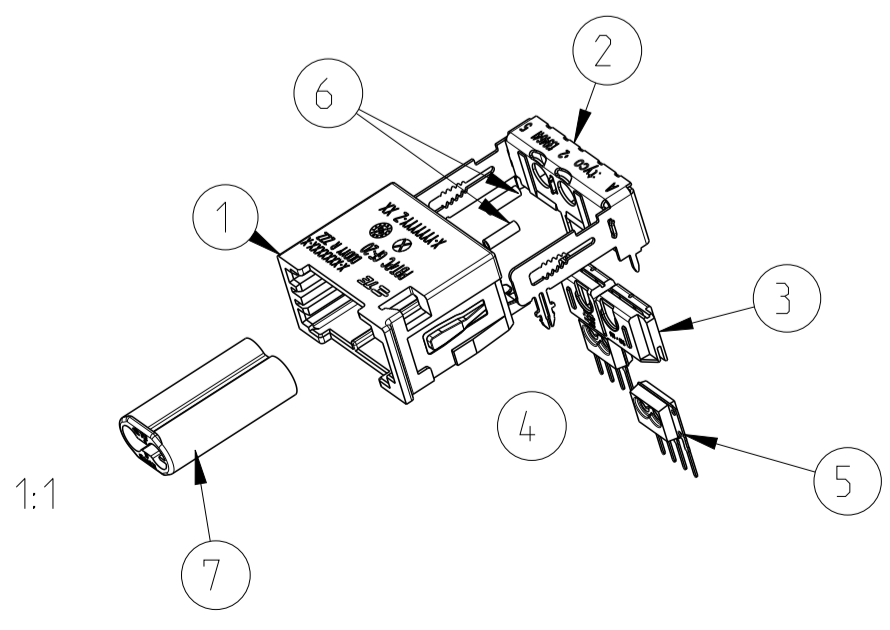
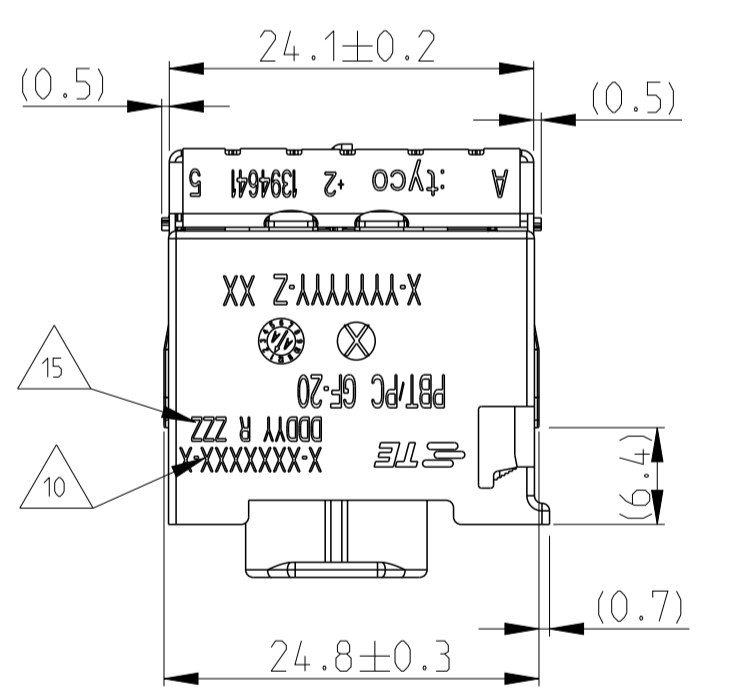
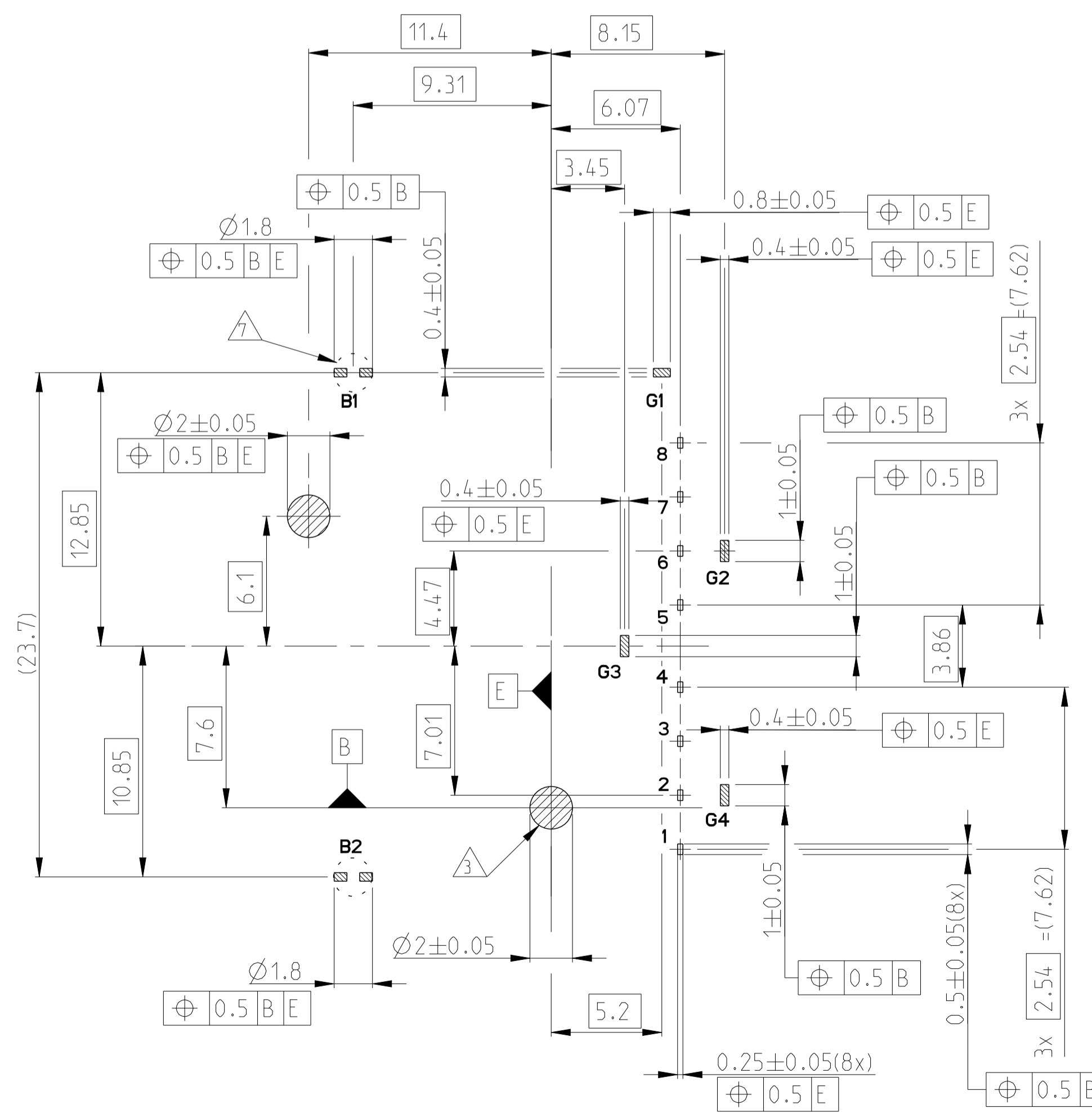
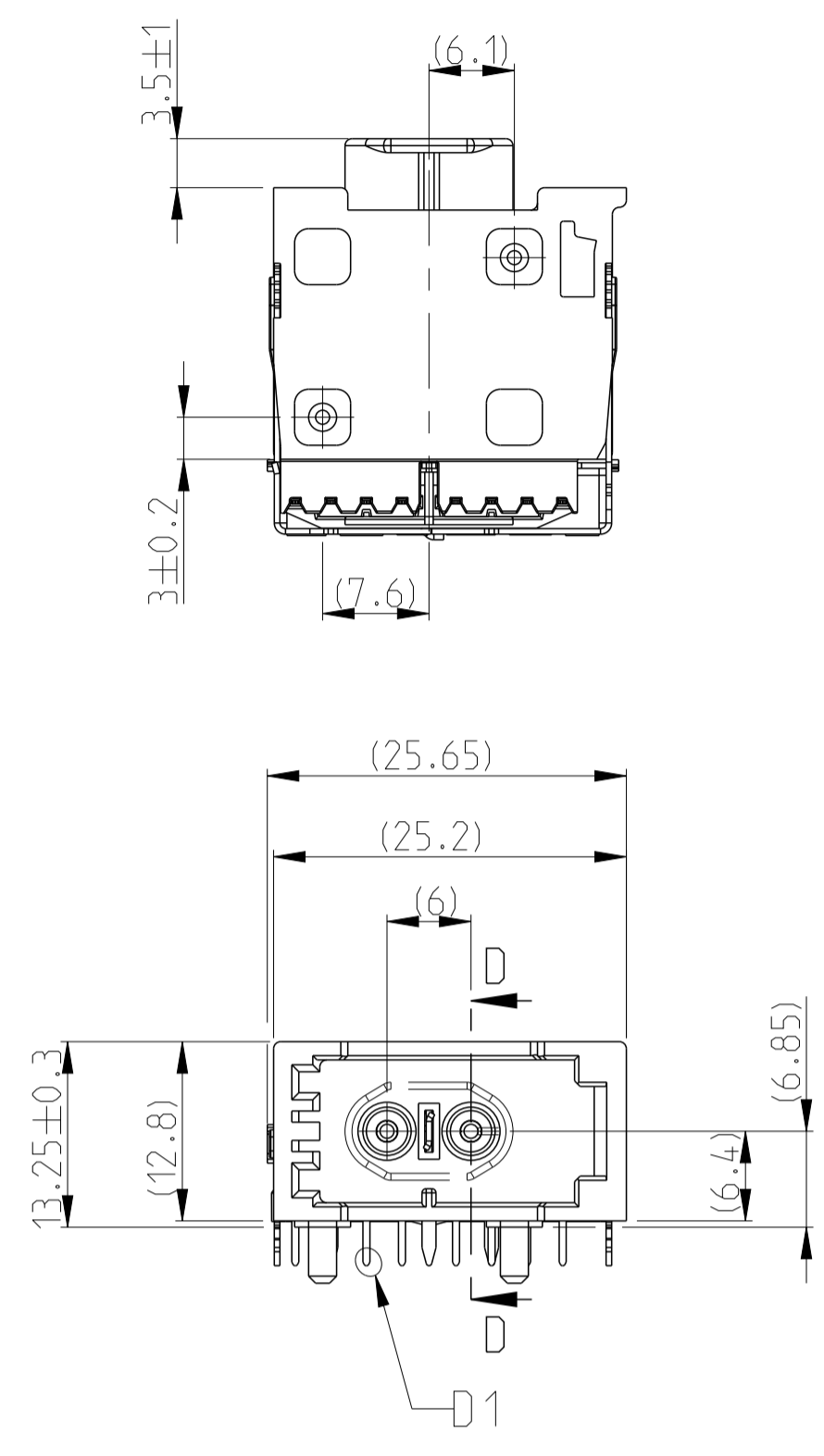
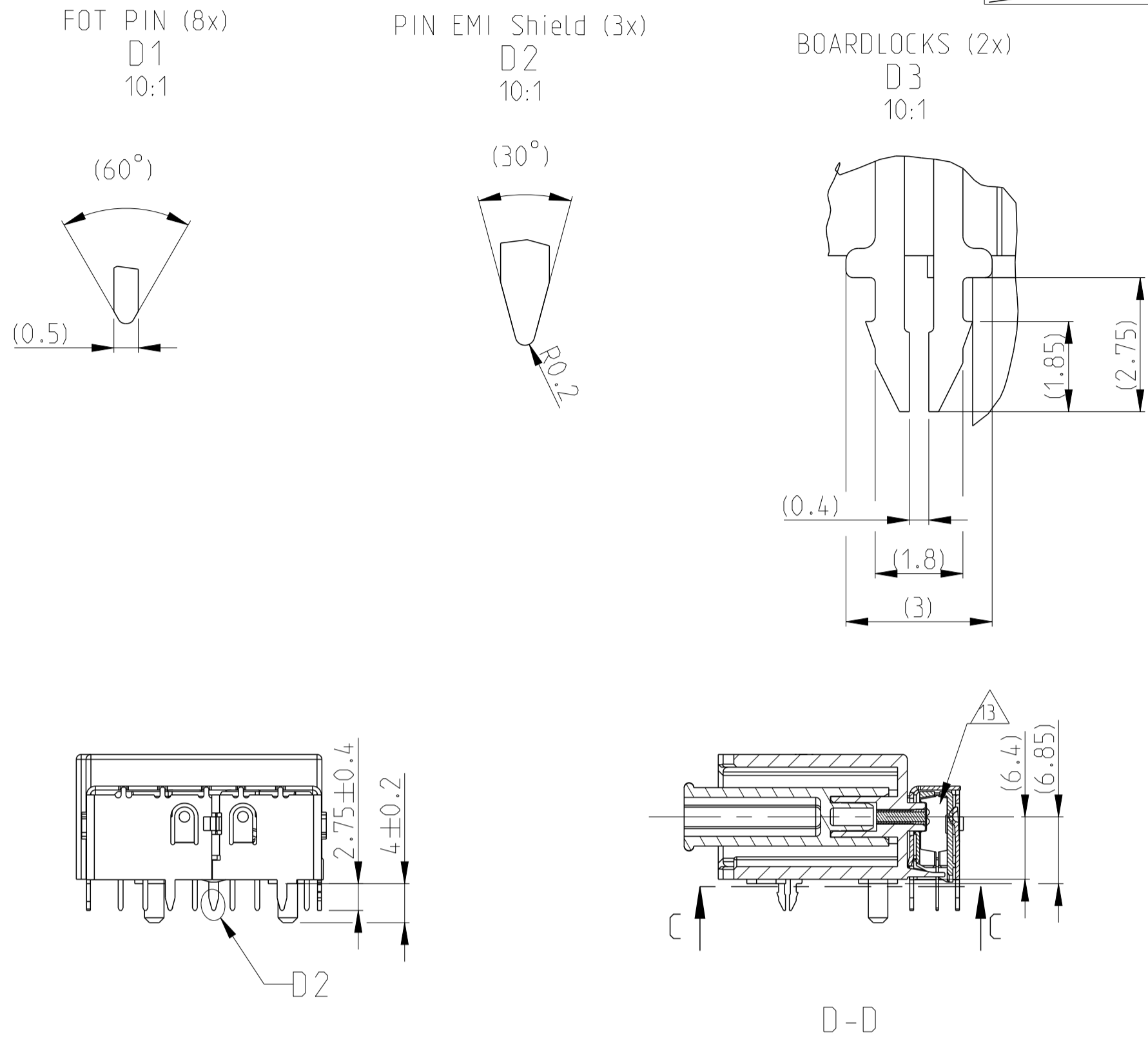


Anlieferungszustand DELIVERY STATUS 2:1



Einbauzustand im Fahrzeug (ohne Pos.7) BUILD-IN MODEL (WITHOUT POS.7) 2:1

0-2141577-X siehe Blatt 1 CONVERSION KIT SEE PAGE 1 NEW EMI SHIELD



Part No.	Rev.	Coding	Pos.	Description	Qty.	Material / Color	Vol. (mm ³)	Weight [g]
2-2141577-9	B	Z	7	Protection Cover	1	PP-MF20 / dusty grey	656	0.7
			6	Polymer Optical Fiber	2	PC / clear and PA12 / black		
			5	Receiver AVAGO	1	resin and copper alloy, Au plated 0.05-0.5µm	(B1) 210	
			4	Transmitter AVAGO	1	resin and copper alloy, Au plated 0.05-0.5µm	(B1) 210	
			3	Adapter for Elements	1	PBT GF 15 / black	194	
			2	EMI Shielding Micropigtail	1	plating: 0.8-3.0µm Ni 2.0-5.0µm Sn on solder pins	328	
2-2141577-2	B	B	1	2 pos. Header Hsg. Micropigtail	1	PBT/PC GF20 / black	2286	
			7	Protection Cover	1	PP-MF20 / dusty grey	656	0.7
			6	Polymer Optical Fiber	2	PC / clear and PA12 / black		
			5	Receiver AVAGO	1	resin and copper alloy, Au plated 0.05-0.5µm	(B1) 210	
			4	Transmitter AVAGO	1	resin and copper alloy, Au plated 0.05-0.5µm	(B1) 210	
			3	Adapter for Elements	1	PBT GF 15 / black	194	
			2	EMI Shielding Micropigtail	1	plating: 0.8-3.0µm Ni 2.0-5.0µm Sn on solder pins	328	
2-2141577-1	B	A	1	2 pos. Header Hsg. Micropigtail	1	PBT/PC GF20 / black	2286	
			7	Protection Cover	1	PP-MF20 / dusty grey	656	0.7
			6	Polymer Optical Fiber	2	PC / clear and PA12 / black		
			5	Receiver AVAGO	1	resin and copper alloy, Au plated 0.05-0.5µm	(B1) 210	
			4	Transmitter AVAGO	1	resin and copper alloy, Au plated 0.05-0.5µm	(B1) 210	
			3	Adapter for Elements	1	PBT GF 15 / black	194	
			2	EMI Shielding Micropigtail	1	plating: 0.8-3.0µm Ni 2.0-5.0µm Sn on solder pins	328	

△ C-C 5:1

THIS DRAWING IS A CONTROLLED DOCUMENT. DWG: R. Wuecker 180CT2010 CHK: R. Wuecker NAME: Micropigtail with AVAGO CM Elements / POF APVD: E. Hofmann PRODUCT SPEC: 108-94198 APPLICATION SPEC: 114-18997 WEIGHT: 6.5g

TE Connectivity

SCALE: 1:2 SHEET: 2 OF 2 REV: B1