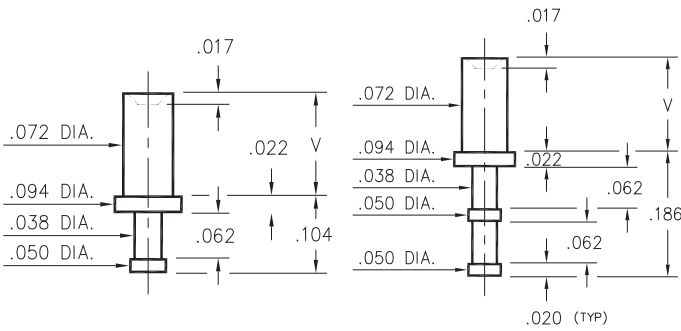


2304/2305

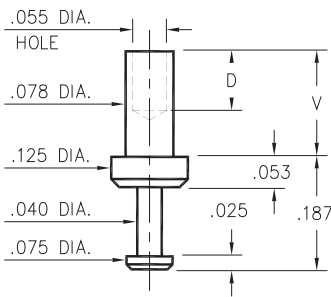


- X -	Board Thickness	Length V
1	.031	.051
2	.062	.082
3	.094	.113
4	.125	.145

2304-X-00-XX-00-00-07-0
Swage mount in .076 hole

2305-X-00-XX-00-00-07-0
Swage mount in .076 hole

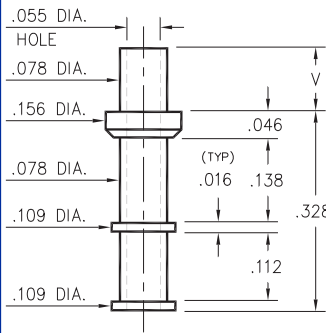
2503



- X -	Board Thickness	Length V	Depth D
1	.031	.078	.068
2	.062	.109	.098
3	.094	.141	
4	.125	.172	

2503-X-00-XX-00-00-07-0
Swage mount in .082 hole

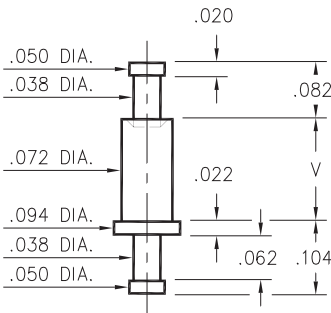
2704



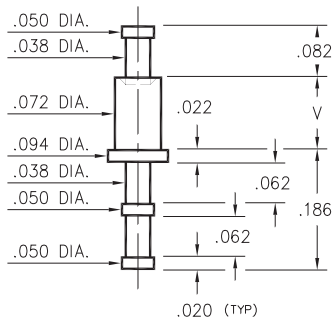
- X -	Board Thickness	Length V
1	.031	.075
2	.062	.105
3	.094	.135
4	.125	.165

2704-X-00-XX-00-00-07-0
Swage mount in .082 hole

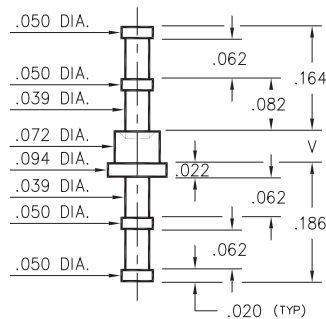
2306/2307/2311



2306-X-00-XX-00-00-07-0
Swage mount in .076 hole



2307-X-00-XX-00-00-07-0
Swage mount in .076 hole



2311-X-00-XX-00-00-07-0
Swage mount in .076 hole

- X -	Board Thickness	Length V
1	.031	.051
2	.062	.082
3	.094	.113
4	.125	.145

SPECIFICATIONS

PIN MATERIAL:
Brass Alloy 360, 1/2 Hard
Swage pins are annealed

DIMENSION IN INCHES
TOLERANCES ON:
LENGTHS: ±.005
DIAMETERS: ±.002
ANGLES: ± 2°

ORDER CODE: XXXX - X - 00 - XX - 00 - 00 - 07 - 0

BASIC PART #

SPECIFY PIN FINISH:

- 01 200µ" TIN/LEAD OVER NICKEL
- ◇ 80 200µ" TIN OVER NICKEL (RoHS)
- ◇ 44 300µ" SILVER OVER COPPER (RoHS)
- ◇ 50 300µ" ELECTRO-SOLDER (RoHS) (60/40 SnPb)

