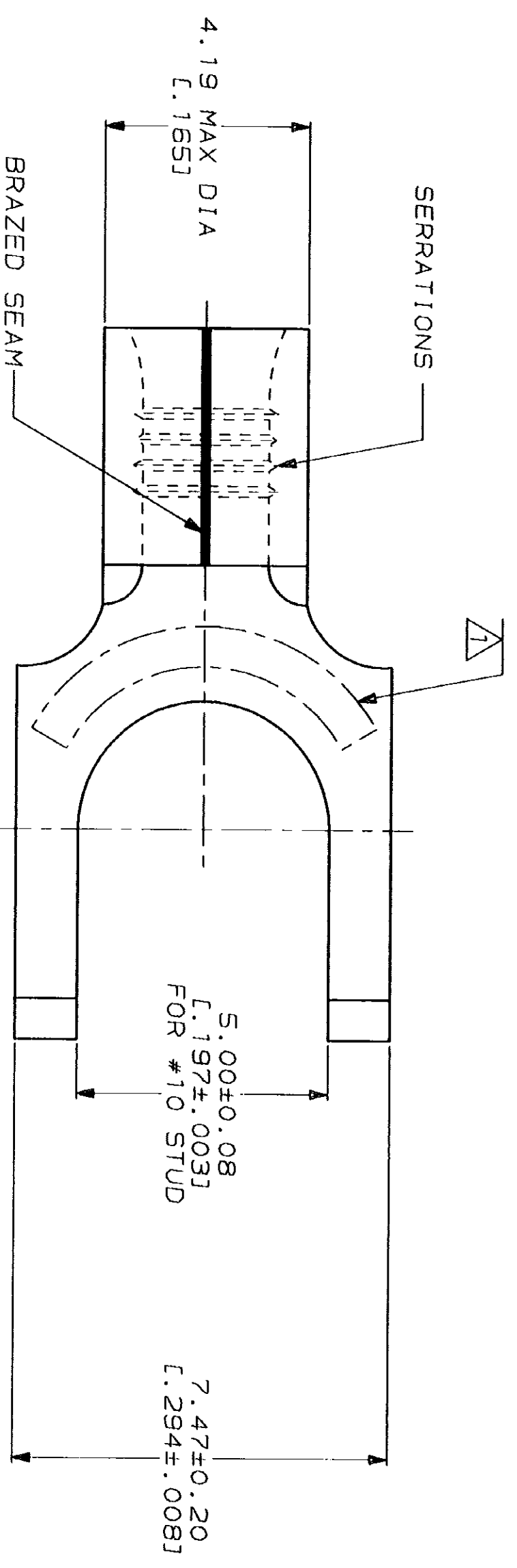
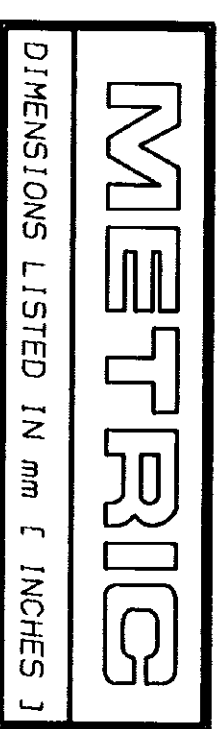
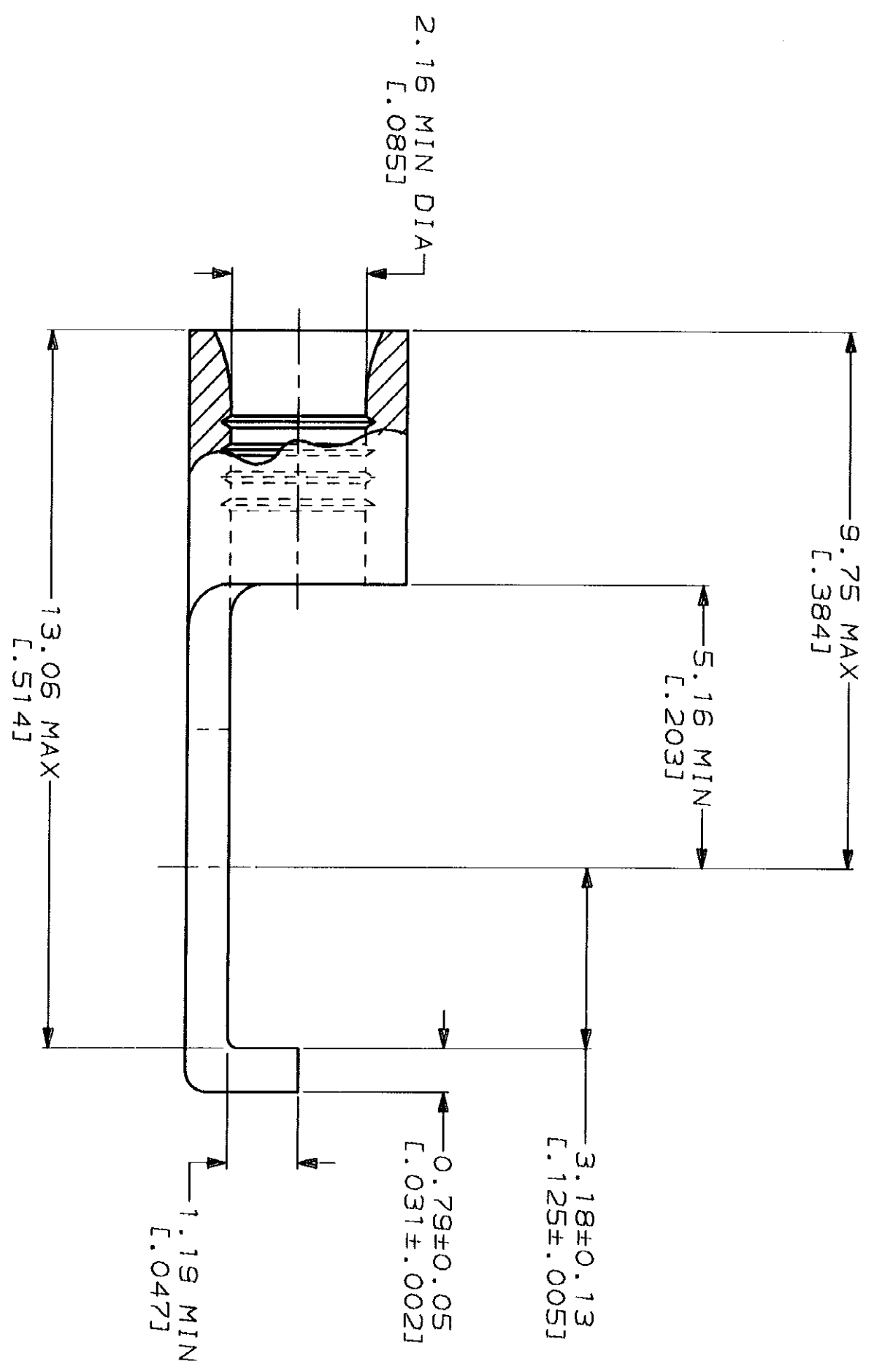


LOC	DIST	REV	ZONE	YR	DESCRIPTION	DATE	APPD
G	14	P		C	REV, RDRW, & SM PKG PER 0720-0040-93	4-8-93	18 DAP



AMP WIRE RANGE	UL E13288 Listed
16-14 AWG SOLID OR STRANDED	16-14 AWG SOLID OR STRANDED
LR7189 Certified	MILITARY P/N AND CLASS
16-14 AWG SOLID OR STRANDED	NOT APPLICABLE

△ STAMP AMP 16-14* APPROX AS SHOWN



**AMP INCORPORATED
 CUSTOMER SERVICE SYSTEMS**

FOR ADDITIONAL PRODUCT INFORMATION OR COPIES OF DRAWINGS AND TECHNICAL DOCUMENTS	PRODUCT INFORMATION CENTER 1-800-522-6752	MAX RECOMMENDED OPERATING TEMPERATURE: 170°C MAX
FOR APPLICATION TOOLING INFORMATION	TOOLING ASSISTANCE CENTER 1-800-722-1111	VOLTAGE RATING: NOT APPLICABLE
FOR ORDER ENTRY	1-800-526-5142	WIRE CROSS SECTIONAL AREA RANGE: 1.04-2.62mm ² [2.050-5.180] CIR MILS SOLID OR STRANDED

DO NOT SCALE PRINT.
 UNLESS SPECIFIED
 DIMENSIONS IN mm [INCHES]
 TOLERANCES ON:
 2 PLC DEC # -
 3 PLC DEC # -
 ANGLES # -
 MATERIAL
 COPPER PER
 ASTM B-152
 ANNEALED

DR 4-8-93 TA BRINKMAN	CHK 4-8-93 DA PATTERSON	APPD 4-8-93 DE MILLER	APPD 4-8-93 JL MECKLEY	FINISH TIN PLATE 0.00254 [L.000100] MIN THK PER MIL-T-10727	APPLICATION SPEC	WEIGHT -
--------------------------	----------------------------	--------------------------	---------------------------	---	------------------	----------

100	LOOSE PIECE, BOX	8-320857-1
5000	ON TAPE	2-320857-1
---	LOOSE PIECE	320857
	PACKAGING TYPE	PART NO

AMP
 AMP Incorporated
 Harrisburg, PA 17105-3608

SIZE	CAGE CODE	DRAWING NO
SCALE 10:1	00779	320857

Mouser Electronics

Authorized Distributor

Click to View Pricing, Inventory, Delivery & Lifecycle Information:

[TE Connectivity:](#)

[2-320857-1](#)